

LCD 704, LCD 704-Ex

Field indicator
Indicateur local
Indicador local

Operating manual
Mode d'emploi
Instrucciones de empleo

42/30-20 XP

Rev. 3.0

Subject to technical changes.

This technical documentation is protected by copyright. Translating, photocopying and disseminating it in any form whatsoever - even editings or excerpts thereof - especially as reprint, photomechanical or electronic reproduction or storage on data processing systems or networks is not allowed without the permission of the copyright owner and non-compliance will lead to both civil and criminal prosecution.

Sous réserve de modifications techniques.

Une réimpression, polycopie, traduction même partielles ne sont pas admises sans autorisation préalable.

Nos reservamos el derecho de introducir modificaciones técnicas sin preaviso



ABB

ABB Automation Products GmbH

Borsigstrasse 2

D-63755 Alzenau

Tel. +49(0)60 23 92 - 0

Fax. +49(0)60 23 92 - 33 00

<http://www.abb.com/automation>

Subject to technical changes.
Sous réserve de modifications techniques..

Printed in the Fed. Rep. of Germany
42/30-20 XP Rev.32.0

ABB Automation

ABB

Contents	Page
Application and Description	3
1 Installation	
1.1 Mounting	3
1.2 Connecting	4
2 Commissioning	
2.1 Preliminary Tasks	5
2.1.1 Setting the Range Limits	5
2.1.2 Aligning	5
2.1.3 Placing the Decimal Point	5
2.2.1 Setting the Alarm Value	6
2.2.2 Changing Hysteresis	6
2.2 Alarm Signalling	7
3 Maintenance	7
 Appendix	
Technical Data	8
Packing Instructions	11
Spare Parts	11
Circuit Diagrams and Printed Circuit Boards	32

Subject to technical changes.

Reprint, reproduction or translation of this manual or parts thereof are not permitted without our prior consent.

Fault-free and safe functioning of the Field Indicator LCD 704 / LCD 704-Ex calls for correct operation and meticulous maintenance.

Only those persons conversant with the operation and maintenance of similar measuring equipment and possessing the necessary qualifications may work on this measuring facility. In this respect, they must observe the contents of the Operating Manual, the Safety Instructions affixed to the measuring facility as well as the relevant safety regulations governing the installation and operation of electrical systems.

This apparatus has been designed and tested in accordance with DIN VDE 0411 Part 1 (based on IEC Publication 348), "Safety Requirements for Electronic Measuring Apparatus", and has been supplied in a safe condition. The present Operating Manual contains some information and warnings which have to be followed by the user to ensure safe operation and to retain the apparatus in safe condition.

The industrial standards and regulations (DIN, VDE, VDI) referred to in this Operating Manual are applicable in the Federal Republic of Germany. When using this device outside the German Federal jurisdiction, the relevant specifications, standards and regulations applicable in the country where the device is used must be observed.

It is not possible to describe in this Operating Manual all the conceivable situations which might present themselves while operating and servicing the measuring facility. Should the information be inadequate in any manner please consult your Technical Branch Office, or a branch or representative of Hartmann & Braun.

Application and Description

Field Indicator LCD 704 is a measuring instrument for digital display; it can be used on site for any process variables.

The measured signal is conveyed from a suitable transmitter with standardized output of 4...20 mA.

External power supply is not necessary.

The LCD-display is 25 mm high and protected with a transparent panel inserted in the casing, which enables accurate reading also from a far distance.

The robust polyester-made casing is suitable not only for mounting on the wall, but also for vertical or horizontal pipes with up to 2" diameter.

The digital start and final values can be altered manually by means of a potentiometer after removal of the casing cover. The same applies to the minimum and maximum alarm values. For the user this implies high flexibility when adjusting the display to the measuring tasks on site.

Device variants

- | | |
|-------------------------|------------------------------------------|
| Variant 1: 4...20 mA, | with alarm signal display |
| Variant 2: 4...20 mA, | without alarm signal display |
| Variant 3: 0.3...20 mA, | without alarm signal display |
| Variant 4: 4...20 mA, | with alarm signal display, Ex-version |
| Variant 5: 4...20 mA, | without alarm signal display, Ex-version |

1 Installation

1.1 Mounting

When selecting the installation site climatic and mechanical stress have to be taken into account (refer to Technical Data).

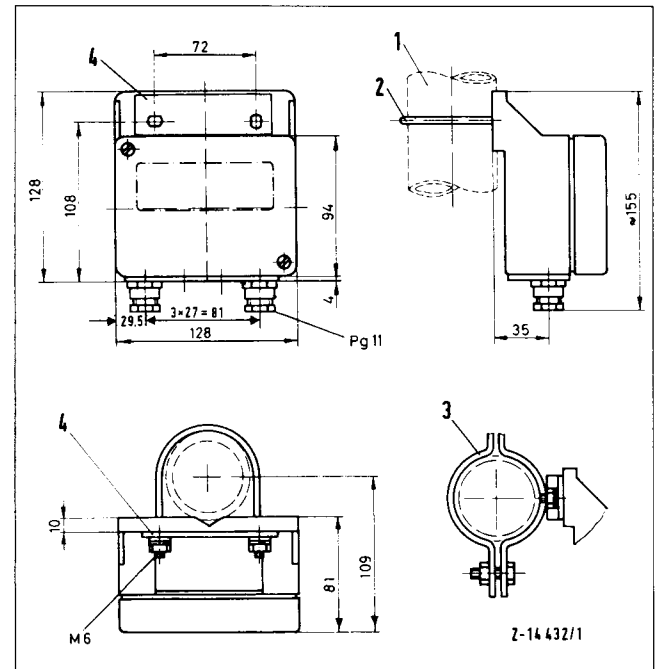


Figure 1 Dimensional drawing (dimensions in mm)

- | | |
|------------------|--------------------|
| 1 Pipe 2" | 3 Pipe clip |
| 2 Assembly clamp | 4 Stiffening plate |

The lower part of the casing is provided with a bracket embodying 2 fastening holes at the top (see figure 1). The device is supplied also with an assembly clamp for fitting on vertical pipes up to 2" diameter. The assembly clamp is fitted from the rear end through the fastening holes.

Finally the stiffening plate is fitted before M6 nuts and washers are screwed tight. Without the stiffening plate, the bracket might break.

When mounting on horizontal pipes, the two pipe clips (supplied as accessory) should be fitted first on the pipe adjacent to the mounting holes; thereafter, the Field Indicator may be fastened as described above.

Explosion-proof version

When mounting an explosion-proof model (Field indicator LCD 704-Ex P 31413-0-21...) the regulations, conditions and certificates set out below must be adhered to when selecting the location of the equipment as well as when mounting the equipment and when laying and connecting the signal lines

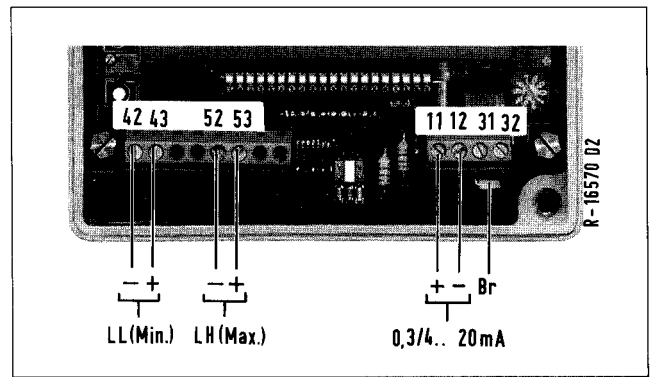


Figure 2 Connection diagram

“Regulations on Electrical Apparatus in Areas Subject to Explosion Hazards”, ElexV

“Requirements for the Installation of Electrical Systems in Areas Subject to Explosion Hazards”, DIN VDE 0165

Type Approval Certificate 49/30-11 Ex, Conformity Certificate PTB No. 91.C.2127

1.2 Connecting

Typical national regulations for erecting high current equipment based on mains up to 1000 Volts, e.g. DIN VDE 0100, must be observed not only when selecting the conducting material, but also when installing.

Measuring lines have to be installed separately from high tension lines.

The casing cover can be removed after loosening both screws, thus providing access to the connection terminals for wires up to max. 1.5 mm².

A measuring line may then be inserted through a conduit gland on the casing. The power line is connected on terminals 11 (+) and 12 (-), see figure 2.

If other measuring and recording devices are to be looped into the measuring circuit 4...20 mA, then the jumper (Br) between terminals 31 and 32 must be removed and the connection line of the additional device clamped beneath.

Signal output terminals are:

Terminals 42-43 for min. contact (LL)

Terminals 52-53 for max. contact (LH)

2 Commissioning

2.1 Preliminary Tasks

Before the tasks described below can be performed, the casing cover must be removed after loosening either screws. After this the display card will be freely accessible.

Warning (for variant 1)

By opening the casing cover, parts attached to power line become freely accessible. Prior to alignment, maintenance, starting, or replacement of parts, the output voltage circuits must be switched off.

2.1.1 Setting the Range Limits

Broad-range adjustment of the display may be pursued on site. By considering parameter limits for digital range and zero drift, initial ascertainment is necessary to know if the desired display range can be achieved.

The following applies to parameter limits:

Digital range:

Minimum 10 digits / mA

Maximum 100 digits / mA (span)

span = (end – beginning) of measuring range

Zero drift:

± 100 % span (in digits)

Example 1: Desired measuring range at 4...20 mA:

Display 300...400.

Not acceptable because the zero-point should be shifted by more than 100 digits (measuring range 100).

Example 2:

Desired measuring range at 4...20 mA:

Display 400...2000.

Acceptable because span = 100 D/mA and zero drift $400/1600 = 25\%$ of span.

Example 3:

Desired measuring range at 4...20 mA:

Display -300...000.

Acceptable because span = 18.75 D/mA and zero drift = 100% of span.

Example 4:

Desired measuring range at 0.3...20 mA:

Display 030...2000.

Acceptable because span = 100 D/mA and zero drift by $30/1970 = 1.5\%$ of span.

Example 5:

Desired measuring range at 4...20 mA:

Display -1000...+1000.

Not acceptable. Zero drift = 50% of span, but span = 125D/mA.

Example 6:

Desired measuring range at 0.3...20 mA:

Display 500...600.

Not acceptable, because span = 5.076 D/mA and zero drift = $500/100 = 500\%$ of span.

2.1.2 Aligning (see figure 3 and table 1)

Alignment takes place after a measuring signal is connected to terminals 11(+) and 12(-) with a mA source (e.g. Kompavi 4, Kompavi 10). It is assumed that the jumper between terminals 31-32 is available. The start value of the digital display is aligned (rough) by means of the switch 4 and the potentiometer R 11 (fine). The final value is aligned with the switch S 3 (rough) and the potentiometer R 11 (fine).

2.1.3 Placing the Decimal Point (see figure 3 and table 1)

The decimal point is shifted by moving the plug-in jumper DP to 1; 2 or 3. When the jumper is removed or only plugged on one pin, no decimal point will be placed.

2.2.1 Setting the Alarm Value (see figure 3 and table 1)

After removal of the casing cover during operation, the alarm values can be inquired via the button S2=LH (max.) or S1=LL (min.). The state of the switching transistors does not change during the inquiry.

The lower alarm value may be set with the potentiometer R 43 and the upper alarm value with R42 in analogy. If the button S1 or S2 is pressed additionally, then the digital display indicates the set alarm value.

2.2.2 Changing hysteresis (see figure 4 and table 1)

Hysteresis can be set separately for every alarm value. Plug jumpers for hysteresis changes are provided on the input card. This card can be accessed after loosening the three distance screws (D) and lifting the display card (see figure 3).

Alarm values (Field F1)		Alignment (Field F2)		Dec. point (Field F3)		
LH (Max.)	R 42	S4	Initial value	1	2	3
	S 2	R 11		x . x x x	■	□
LL (Min.)	R 43	S3	End value	x x . x x	□	■
	S 1	R 12		x x x . x	□	□
				x x x x	□	□
Hysteresis (Field F4)						
		0,5%	■	□	□	□
LL (Min.)		1%	□	■	□	□
		2%	□	□	■	□
						2%
						■ Jumper inserted

Table 1 Functional changes

Z-16573

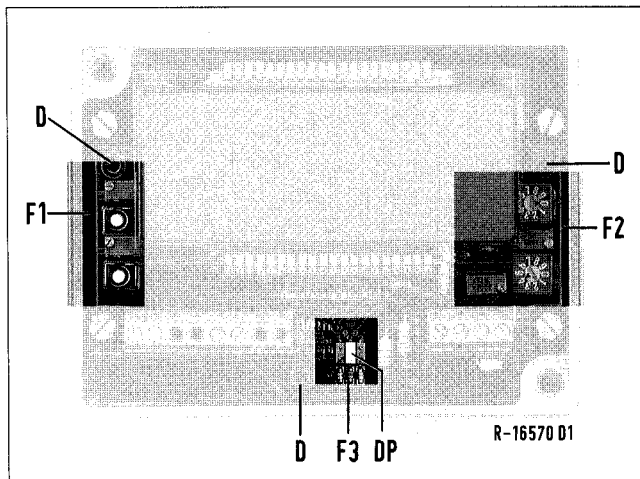


Figure 3 Display card (D = distance screw)

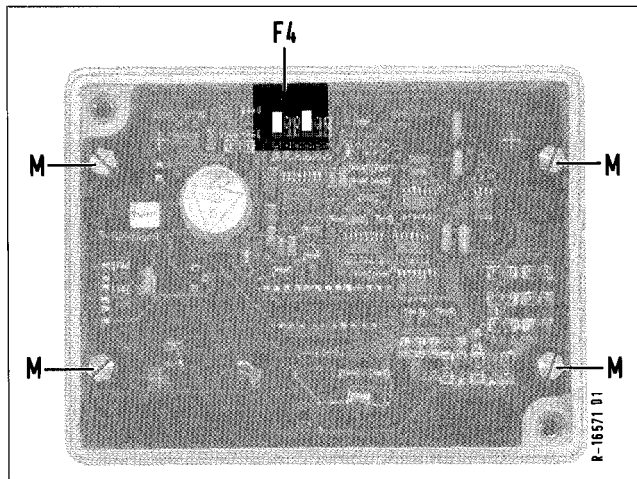


Figure 4 Input card (M = bolt)

Note

During the assembly, caution should be taken not to bend the plug pins of the display card when inserting them into the socket strip of the input card. If necessary, the printed circuit boards should be removed from the casing after the removal of the distance pins (M) and then the display and input cards should be plugged together again. Finally, the printed circuit boards may be screwed onto the casing by means of the bolts.

2.2 Alarm signalling

Signalling ensues optically and electrically when the actual value exceeds the maximum value or remains short of the minimum value.

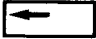
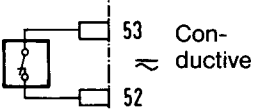

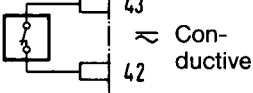
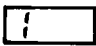
	Display	Transistor output
$X > LH$		 53 Conductive 52
$X < LL$	 Blinking	 43 Conductive 42
Measuring range overshoot		Max. 250 V/0.5 A/100 W ¹ overflow indication
Measuring range undershot	If the measured input is less than 0.3 mA or 3.5 mA (with a measuring range of 4...20 mA), the display is undefined.	

Table 2 Alarm signalling

¹ not valid for Ex-version

3 Maintenance

The indicator does not require maintenance.

Caution

Whenever it is likely that the protection has been impaired, the apparatus shall be made inoperative and be secured against any unintended operation.

It must be assumed that the protection has been impaired when

- the apparatus has visible signs of damage;
- the apparatus no longer functions;
- the apparatus has been stored in unfavourable conditions for a long time;
- the apparatus has been subjected to adverse transport conditions.

Repairs on LCD 704-Ex

Local maintenance and repair work may be carried out **after preventing the danger of explosion**.

If repairs or changes are made on any device components upon which explosion protection depends, prior to resuming operation, an expert should examine and certify that the device then complies – in essential explosion protection characteristics – with the operation measures described in the certificate, regarding its type and model.

For any repair done by the manufacturer, e.g. by an employee of Hartmann & Braun-Service, who can identify himself with an appropriate certificate, or if the repair takes place in the delivering factory, only a designation mark on the nameplate will denote the repair followed by a routine check. It will be unnecessary to present the device to an expert for approval.

Appendix

Technical data

Display range

± 1999, 3.5 decimal

Digit height

25 mm

Decimal point

freely selectable

Measuring range and voltage drop

4.00...19.00 mA \leq 2 V or

0.3...19.99 mV \leq 3 V

Deviation

± 0.1 % of measuring value ± 1 digit

Temperature influence

± 0.33 % / 10 °C

Overflow

display "1"

Measuring range undershooting

< 3.5 mA or < 0.3 mA undefined display

Alarm section

Alarm value monitoring

1 min. and 1 max. alarm value, NO contact operation

Alarm value setting

with potentiometer

Switching behaviour

Hysteresis 0.5; 1.0; 2.0 % adjustable

Setting range

0...100% of the set display range

Alarm signalling

optically: respective code in the display

electrically: transistor output

Transistor output (variant 1 only)

Operational values

max. 250 V AC, 0.5 A, 100 W, $\cos \varphi = 0.8$

Switching behaviour

max.-(LH-) alarm signal: conductive transistor with $x > GW$

min.-(LL-) alarm signal: conductive transistor with $x < GW$

Electrical safety

Tested according to DIN VDE 0411/IEC 348

Protection class

II

Testing voltage

4 kV; input against output

4 kV; output against output

Overvoltage category

III

Contamination level

2

Electromagnetic compatibility

Radio interference suppression

Class B (DIN VDE 0871)

Manufacturer's certificate of radio interference suppression

The apparatus described in this Operating Manual features radio interference suppression in compliance with the requirements of the ordinance designated in Amtsblatt 163/1984 as – AmtsblVfg 1046/1984 for units to DIN VDE 0871 –

The Federal German Post Office was notified of the issue of this apparatus and was granted authorization to test the series for compliance with the requirements.

Mechanical stress

Based on DIN 40 046, sheet 7 and 8

Mechanical test class

3/2 sF according to WN 120-201

Climatic stress

Application class according to DIN 40 040

ZUE

Ambient temperature ¹⁾

- 20...+60 °C

Transport and storage temperature

- 30...+80 °C

Relative humidity, annual average

≤ 75 %

Condensation

Rare and slight condensation permissible

Protection type

IP 65 according to DIN 40 050

Casing and Mounting

Electrical connections

Screw terminals for max. 1.5 mm²

Material

Glass-reinforced polyester

Colour

Grey RAL 7032

For LCD 704-Ex: black RAL 9001

Positions

Conduit glands downwards

Weight

Approx. 0.5 kg

¹⁾ For LCD 704-Ex see explosion protection or conformity certificate

Explosion protection

Type of device

LCD 704-Ex; P 31413-0-21

Manufacturer's identification code

49/30-11 Ex

Conformity certificate

PTB-Nr. Ex-91.C.2127

Designation

EEx ia/ib IIC T6 or

EEx ia/ib IIC T5

Temperature class

T6 with ambient temperature 50 °C

T5 with ambient temperature 60 °C

Electrical data

Input current circuit

in protection type EEx ia IIC "intrinsically safe"

only for connection to certified intrinsically safe current circuits with the following maximum values:

$U_0 = 35 \text{ V}$

$I_k = 100 \text{ mA}$

The effective internal capacitance and inductance are negligible.

Output current circuits ¹⁾

in protection type EEx ib IIC

or EEx ib IIB "intrinsically safe"

Peak values per current circuit:

$U_0 = 16 \text{ V}$

$I_k = 1 \text{ mA}$

$P = 1 \text{ mW}$

¹⁾ only with LCD 704-Ex, P31413-0-211

The effective internal inductance is negligible. The effective internal capacitance is $C_i \leq 5.2 \text{ nF}$.

Only for connection on certified intrinsically safe current circuits with the following peak values per current circuit:

$$U_o = 30 \text{ V}$$

$$I_k = 50 \text{ mA}$$

$$P = 0.8 \text{ W}$$

The highest permissible external inductance (L_e) and capacitance (C_e) are dependent on the connected certified intrinsically safe current circuit as follows.

connected intrinsically safe current circuit			Group IIC		Group IIB	
U	I	P	La	Ca	La	Ca
30 V	50 mA	0.375 W	15 mH	18 nF	56 mH	194 nF
20 V	50 mA	0.250 W	15 mH	28 nF	56 mH	284 nF
15 V	50 mA	0.187 W	15 mH	51 nF	56 mH	414 nF
10 V	50 mA	0.125 W	15 mH	84 nF	56 mH	574 nF
30 V	26 mA	0.8 W	–	–	10 mH	120 nF
20 V	40 mA	0.8 W	0.15 mH	28 nF	10 mH	244 nF
15 V	50 mA	0.750 W	2 mH	51 nF	25 mH	150 nF
10 V	50 mA	0.500 W	5 mH	84 nF	25 mH	400 nF

The input current circuit is electrically isolated from the output current circuit and the output current circuits are likewise securely electrically isolated.

Installation site

within the hazardous area in zone 1

Packing instructions

Prior to packaging the transparent panel should be covered.

If the original packing is no longer available, the device must be wrapped in an insulating air foil or corrugated board and packed in a sufficiently large crate lined with shock absorbing material (foamed material or similar) for the transportation. The amount of cushioning must be adapted to the weight of the unit and to the mode of transport. The crate must be labelled "Fragile".

For overseas shipment the unit must additionally be sealed airtight in 0.2 mm thick polyethylene together with a desiccant (e.g. silica gel). The quantity of the desiccant must correspond to the packing volume and the probable duration of transportation (at least 3 months). Furthermore, for this type of shipment the crate should be lined with a double layer of kraft paper.

Circuit diagrams and printed circuit boards

see page 32

Spare parts

Spare parts are given in the following Spare Parts List. When ordering spare parts please quote the designation and the Catalog No. of the spare part. Always state the Serial No. inscribed on the rating plate as well as the Order No.

The designations in the Spare Parts List, the confirmation of order, the delivery note and the invoice may differ from the function-related names given to these parts in this Operating Manual.

The Catalog No. is the sole criterion.

Name	Catalog No. (B-Nr.)	
	without alarm value	with alarm value
Display card		
0.3 ... 20 mA	0761931 „A“	—
4 ... 20 mA	0761932 „A“	0761934 „A“
4 ... 20 mA (-Ex)	0761933 „A“	0761935 „A“
Output card		
0.3 ... 20 mA	0761936 „A“	—
4 ... 20 mA	0761937 „A“	0761939 „A“
4 ... 20 mA (-Ex)	0761938 „A“	0761940 „A“
Input card		
0.3 ... 20 mA	0761941 „A“	—
4 ... 20 mA	0761942 „A“	0761944 „A“
4 ... 20 mA (-Ex)	0761943 „A“	0761945 „A“
LC-Display	0761946 „A“	

Table des matières	page
Domaine d'application et description	13
1 Installation	
1.1 Montage	13
1.2 Raccordement	14
2 Mise en service	
2.1 Travaux préliminaires	15
2.1.1 Déterminer les fourchettes	15
2.1.2 Equilibrage	15
2.1.3 Réglage de la décimale	15
2.2.1 Réglage des valeurs limites	16
2.2.2 Changement de l'hystérésis	16
2.2 Signalisation des valeurs limites	17
3 Maintenance	
Annexe	
Caractéristiques techniques	18
Emballage	20
Pièces de rechange	21
Schéma des connexions et équipement des cartes imprimées	32

Sous réserve de modifications techniques.

Réimpression, polycopie, traduction, même partielle, interdites sans autorisation préalable.

Avertissements importants!

A lire et observer obligatoirement

Le fonctionnement sans fautes et fiable de l'indicateur local LCD 704/LCD 704-Ex ne peut être assuré que s'il a été transporté et stocké de manière appropriée, installé et mis en service de manière professionnelle, utilisé selon les dispositions et soigneusement entretenu.

Seules les personnes étant familiarisées avec l'installation, la mise en service, l'utilisation et l'entretien d'appareils comparables et ayant reçu une qualification adéquate sont autorisées à travailler avec cet appareil. Elles doivent observer le contenu de ce mode d'emploi, les dispositions de sécurité apposées sur l'appareil ainsi que les prescriptions de sécurité en vigueur pour l'installation et l'exploitation d'installations électriques.

Cet appareil a été construit et vérifié conformément à DIN VDE 0411, partie 1 „Mesures de sécurité pour les appareils de mesure électroniques“ et a quitté l'usine dans un état impeccable du point de vue de sécurité. Pour maintenir cet état et pour assurer un service sans danger, l'utilisateur doit respecter les dispositions de sécurité signalées dans ce mode d'emploi par „Attention“.

Pour une utilisation de l'indicateur local à l'extérieur du territoire de la République fédérale d'Allemagne, il faudra tenir compte des réglementations d'utilisation en vigueur dans le pays d'utilisation au lieu de s'en tenir aux normes industrielles et prescriptions (DIN, VDI, E), ainsi qu'aux prescriptions concernant la protection contre les explosions (ExV, EX-RL, VDE, DIN EN) valables en République fédérale d'Allemagne.

Domaine d'application et description

L'indicateur local LCD 704 est un appareil de mesure pouvant être utilisé pour affichage numérique de grandeurs de procédés quelconques sur place.

Le signal de mesure est émis par un transducteur de mesure adéquat à sortie standard de 4...20 mA.

Une alimentation externe en énergie n'est pas requise.

L'affichage à DEL de 25 mm de hauteur protégé par une vitre anti-buée intégrée dans le boîtier est bien lisible, même à grande distance.

Le boîtier robuste en polyester permet soit un montage mural soit un montage sur des tubes verticaux ou horizontaux d'un diamètre allant jusqu'à 2".

Les valeurs du début d'échelle et de la fin d'échelle peuvent être changées par le devant à l'aide d'un potentiomètre après avoir enlevé le couvercle du boîtier. Ceci est aussi possible pour des valeurs limites maximales ou minimales. L'utilisateur a donc toutes les facilités pour adapter l'indicateur à des différentes tâches de mesure sur site.

L'appareil est disponible dans des variantes différentes:

Variante 1: 4...20 mA, avec signalisation de la valeur limite

Variante 2: 4...20 mA, sans signalisation de la valeur limite

Variante 3: 0,3...20 mA, sans signalisation de la valeur limite

Variante 4: 4...20 mA, avec signalisation de la valeur limite, exécution Ex

Variante 5: 4...20 mA, sans signalisation de la valeur limite, exécution Ex

1 Installation

1.1. Montage

Lors du choix du lieu de montage il faut observer les restrictions concernant les sollicitations climatiques et mécaniques (cf. Caractéristiques techniques).

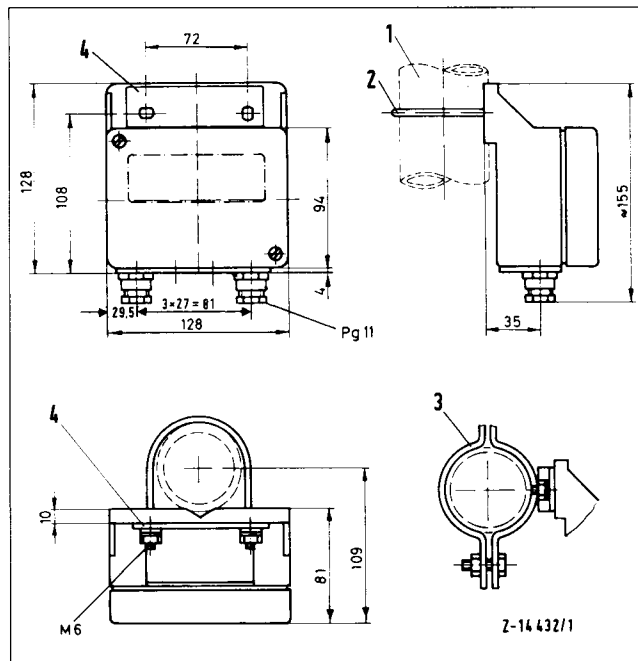


Fig. 1 Croquis coté (cotes en mm)

1 tube 2"

2 étrier de montage

3 bride d'attache

4 plaque de renfort

Sur la partie inférieure du boîtier se trouve une patte avec 2 trous de fixation (cf. Fig. 1). Pour le montage sur des tubes verticaux jusqu'à 2", un étrier de montage est inclu dans la livraison. Cet étrier est amené par l'arrière par les trous de fixation.

Ensuite enficher la plaque de renfort avant de visser les écrous M6 avec rondelles. Sans la plaque de renfort il y a danger de rupture de la patte.

Pour le montage sur des tubes horizontaux il faut d'abord fixer les deux brides d'attache (livrable en tant qu'accessoire) à même distance que les trous de fixation sur le tube; ensuite, l'indicateur local est vissé comme décrit ci-dessus.

Version protégée contre les explosions

Lors du montage de la version protégée contre les explosions de l'indicateur local **LCD 704-Ex P 31413-0-21**, il faut respecter les réglementations, des prescriptions et des certificats suivants

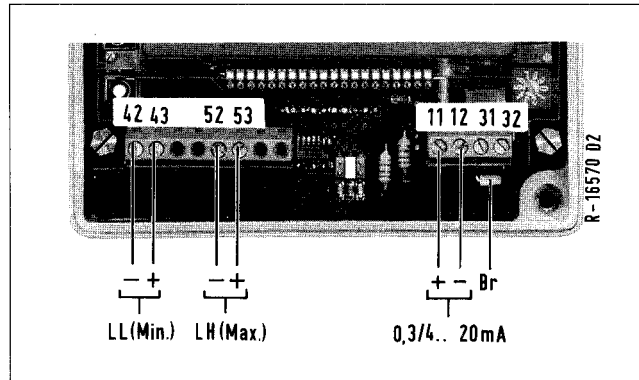


Fig. 2 Schéma des raccordements

«Réglementation relative aux installations électriques à l'intérieur de zones explosives» (ElexV).

«Prescriptions concernant la mise en place d'installations électriques à l'intérieur de zones explosives» (DIN VDE 0165).

Certificat d'homologation 49/30-11 Ex (PTB n°. 91.C.2127).

1.2 Raccordement

Lors du choix du matériel des lignes ainsi que lors de l'installation, il y a lieu de respecter les dispositions en vigueur dans le pays concerné sur l'établissement d'installations à courant fort avec tension réseau jusqu'à 1000 V, par ex. DIN VDE 0100.

Les lignes de mesure sont à poser séparément des lignes à courant fort.

Après avoir dévissé les 2 vis, le couvercle du boîtier peut être retiré et les bornes de raccordement pour fils jusqu'à 1,5 mm² au maximum sont accessibles.

La ligne de mesure est introduite par le presse-étoupe sur le boîtier. Le raccordement électrique s'effectue aux bornes 11 (+) et 12 (-), cf. Fig.2.

Lorsque d'autres appareils de mesure et d'enregistrement sont à brancher au circuit de mesure 4...20 mA, il faut enlever le pont (Br) entre les bornes 31 et 32 pour y connecter la ligne de raccordement de l'appareil supplémentaire.

Le raccordement des sorties des signaux se trouve pour

- contact min (LL) aux bornes 42-43
- contact max (LH) aux bornes 52-53

2 Mise en service

2.1 Travaux préliminaires

Avant de pouvoir exécuter les travaux décrits ci-dessous, enlever le couvercle du boîtier après avoir dévissé les deux vis de fixation. Ensuite, l'accès à la carte de signalisation est libre.

Attention (pour variante 1)

En ouvrant le couvercle du boîtier, des éléments sous tension sont accessibles. Mettez hors circuit les courants de sortie avant tout équilibrage, entretien, mise en service ou remplacement de pièces.

2.1.1 Déterminer les fourchettes

L'affichage numérique peut être changé sur le site même sur une plage très étendue.

En considérant les limites des paramètres pour l'étendue numérique et le décalage du zéro, il y a lieu de contrôler, avant le réglage, si la gamme de signalisation souhaitée est réalisable.

Pour les limites des paramètres il y a lieu d'observer:

Etendue numérique

min. 10 digits/mA

max. 100 digits/mA (étendue de mesure)

(étendue de mesure = fin d'échelle - début d'échelle)

Décalage du zéro

$\pm 100\%$ étendue de mesure (en digits)

Exemple 1:

Gamme de mesure avisée pour 4...20 mA:

Affichage 300...400

Inadmissible, puisqu'il faut décaler le zéro de plus de 100 digits (étendue de mesure 100)

Exemple 2:

Gamme de mesure avisée pour 4...20 mA:

Affichage 400...2000

Admissible, puisque l'étendue de mesure 100D/mA et décalage du zéro $400/1600 = 25\%$ de l'étendue de mesure

Exemple 3:

Gamme de mesure avisée pour 4...20 mA:

Affichage -300...000. Admissible, puisque étendue de mesure 18,75D/mA et décalage du zéro = 100% de l'étendue de mesure

Exemple 4:

Gamme de mesure avisée pour 0,3...20 mA:

Affichage 030...2000. Admissible, puisque étendue de mesure 100D/mA et décalage du zéro $30/1970 = 1,5\%$ de l'étendue de mesure

Exemple 5:

Gamme de mesure avisée pour 4...20 mA:

Affichage -1000...+ 1000. Inadmissible. Décalage du zéro 50% de l'étendue de mesure, mais étendue de mesure 125D/mA.

Exemple 6:

Gamme de mesure avisée pour 0,3...20 mA:

Affichage 500...600. Inadmissible, puisque étendue de mesure 5,076D/mA et décalage du zéro $500/100 = 500\%$ de l'étendue de mesure.

2.1.2 Equilibrage (cf. Fig. 3 et tableau 1)

L'équilibrage est effectué par application d'un signal de mesure aux bornes 11 (+) et 12 (-) à l'aide d'un transmetteur mA (parex. Kompavi 4, Kompavi 10), à condition que le pont entre les bornes 31-32 existe. Le début d'échelle de l'affichage numérique est réglé (grossièrement) par le commutateur S 4 et (finement) par le potentiomètre R 11.

La fin d'échelle est réglée (grossièrement) par le commutateur S 3 et (finement) par le potentiomètre R 12.

2.1.3 Réglage de la décimale (cf. Fig. 3 et tableau 1)

Le réglage de la décimale se fait en déplaçant le pont enfilable DP vers 1,2 ou 3. Lorsque le pont est enlevé ou enfilé sur une broche seulement, il n'y a pas d'affichage de la décimale.

2.2.1 Réglage des valeurs limites (cf. Fig. 3 et tableau 1)

Les valeurs limites peuvent être appelées pendant l'opération après enlèvement du couvercle du boîtier à l'aide des touches S 2 = LH (max) ou S1 = LL (min). L'état des transistors de comutation n'est pas changé par cet appel.

A l'aide du potentiomètre R43 la valeur limite inférieure et, par analogie, à l'aide du potentiomètre R 42 la valeur supérieure peuvent être réglées. Lorsque, additionnellement, la touche S 1 ou la touche S 2 sont appuyées, l'affichage numérique indique la valeur limite réglée.

2.2.2 Changement de l'hystérésis (cf. Fig. 4 et tableau 1)

L'hystérésis peut être réglée individuellement pour chaque valeur limite. Les ponts enfichables pour changer l'hystérésis se trouvent sur la carte d'entrée. L'accès à cette carte est donné par dévissage des 3 vis d'écartement (D) et retraitement de la carte de signalisation (cf. Fig. 3).

valeurs limites (F1)		équilibrage (F2)		régl. de la virg. (F3)	
LH (Max.)	R 42	S 4	valeur de départ	1 2 3	x.xxx
	S 2	R 11			x x.x x
LL (Min.)	R 43	S 3	valeur finale		x x.x x
	S 1	R 12			x x x x
		fin	grossier	11 12	
hystérésis (F4)					
0,5%		0,5%			
LL (Min.)	1%	1%		LH (Max.)	
2%		2%		■ pont enfiché	

Z-16573

Tableau 1 Changements des fonctions

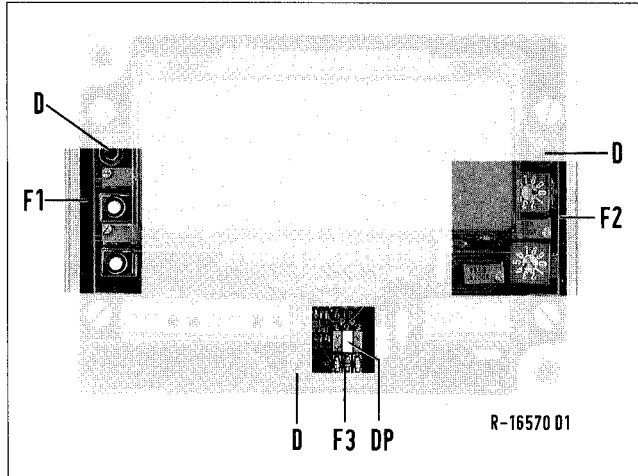


Fig. 3 Carte de signalisation (D = vis d'écartement)

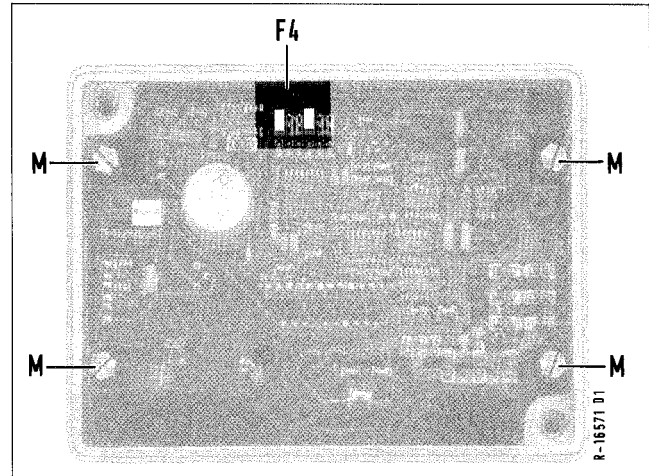


Fig. 4 Carte d'entrée (M = boulon)

Note

Lors de l'assemblage il faut prendre soin de ne pas déformer les pointes de contact de la carte de signalisation en l'insérant dans la réglette à douille de la carte d'entrée. Le cas échéant, retirer l'ensemble des cartes imprimées du boîtier après avoir enlevé les boulons d'écartement et ensuite remonter la carte de signalisation et la carte d'entrée. Puis visser l'ensemble des cartes imprimées avec les boulons sur le boîtier.

2.2 Signalisation des valeurs limites

Il y a signalisation optique et électrique lors d'un dépassement de la valeur maximale vers le haut et lors d'un dépassement de la valeur minimale vers le bas.


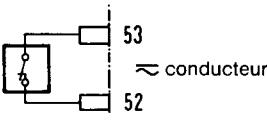
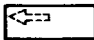
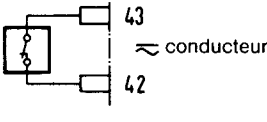
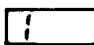
	Affichage	Sortie sur transistor
$X > LH$		 53 52 ≈ conducteur
$X < LL$	 clignotant	 43 42 ≈ conducteur
Dépassement de la gamme vers le haut		max. 250 V/0,5 A/100 W ¹
Dépassement de la gamme vers le bas	Lors d'un dépassement vers le bas de l'entrée de mesure en-dessous de 0,3 mA ou 3,5 mA (pour gamme de mesure 4 ... 20 mA) l'affichage est indéfini	Indication de dépassement de capacité

Tableau 2 Signalisation des valeurs limites

¹ pas valable pour exécution Ex

3 Maintenance

L'indicateur ne demande aucun entretien.

Attention

Lorsqu'il est à supposer qu'un fonctionnement sans danger n'est plus possible, l'appareil doit être mis hors circuit et protégé contre toute mise en service non intentionnelle. Il peut être supposé qu'un fonctionnement sans danger n'est plus possible

- lorsque l'appareil présente des dommages visibles
- lorsque l'appareil ne fonctionne plus
- après un stockage prolongé sous des conditions défavorables
- après des sollicitations de transport extrêmes

Réparations sur le LCD 704-Ex

Des travaux d'entretien sur le site peuvent être exécutés après avoir éliminé le danger d'explosion. Lors de réparations ou de modifications de pièces de l'appareil dont dépend la protection contre l'explosion, il faut faire vérifier et certifier par un expert en la matière, avant la remise en service, que l'appareil répond aux caractéristiques essentielles décrites dans le certificat de l'appareil relatives à la protection contre les explosions.

Lors d'une réparation effectuée par le fabricant de l'appareil, par ex. par un technicien de Hartmann & Braun ou lors d'une réparation dans l'usine de fabrication, il suffit d'une mention sur la plaque signalétique relative au type des travaux avec contrôle ultérieur de la pièce. Dans ce cas il n'y a pas besoin d'un certificat d'expert.

Annexe

Caractéristiques techniques

Etendue de l'affichage

± 1999 , à 3 chiffres 1/2

Hauteur des chiffres

25 mm

Décimale

librement sélectionnable

Gamme de mesure et chute de tension

$4,00 \dots 19,00 \text{ mA} \leq 2 \text{ V}$ ou

$0,3 \dots 19,99 \text{ mV} \leq 3 \text{ V}$

Déviati on

$\pm 0,1 \%$ de la valeur de mesure ± 1 digit

Influence de la température

$\pm 0,33 \%/10^\circ\text{C}$

Dépassement

Affichage „1“

Dépassement vers le bas de la gamme de mesure

$< 3,5 \text{ mA}$ ou $< 0,3 \text{ mA}$, affichage indéfini

Bloc valeurs limites

Surveillance de la valeur limite

A chaque fois 1 valeur min et 1 valeur max sur la base du courant de travail

Réglage de la valeur limite

par potentiomètre

Comportement de commutation

Hystérésis 0,5; 1,0; 2,0 % réglable

Gamme de réglage

0...100% de la gamme de signalisation réglée

Signalisation de la valeur limite

optique: sur écran

électrique: sortie sur transistor

Sortie sur transistor (pour variante 1 seulement)

Valeurs d'exploitation

max. 250 V-, 0,5A, 100 W, $\cos = 0,8$

Comportement de commutation

valeur limite max (LH); transistor conducteur pour $x > V_L$

valeur limite min (LL); transistor conducteur pour $x < V_L$

Sécurité électrique

Essais selon DIN VDE 0411/CEI 348

Classe de protection

II

Tension d'essai

4 kV; entrée contre sortie

4 kV; sortie contre sortie

Catégorie de dépassement de tension III

Degré de contamination 2

Compatibilité électromagnétique

Antiparasitage

Classe de valeur limite B (DIN VDE 0871)

Certificat du fabricant sur l'antiparasitage

L'appareil décrit dans ce mode d'emploi a été soumis à l'antiparasitage selon les dispositions en vigueur en RFA (AmtsbIVg 1046/1984 pour appareils selon DIN VDE 0871)

Le service des postes et télégraphes en RFA a été informé sur la mise sur le marché de cet appareil, avec l'autorisation de contrôler la série en vue de l'observation des dispositions.

Sollicitations mécaniques

Sur la base de DIN 40 046, feuille 7 et 8

Classe d'essai mécanique

3/2 sF selon norme d'usine 120-201

Sollicitations climatiques Classe d'application selon DIN 40 040 ZUE

Température ambiante¹⁾

- 20... + 60°C

Température de transport et de stockage

- 30...+ 80°C

Humidité de l'air en moyenne annuelle

≤ 75 %

Condensation

Condensation rare et légère

Degré de protection selon DIN 40 050

IP 65

Boîtier et montage

Raccordements électriques

Bornes à vis pour 1,5 mm² max.

Matériau

Polyester renforcé fibres de verre

Couleur

gris, RAL 7032

pour LCD 704-Ex: noir, RAL 9001

Position d'utilisation

Presses-étoupes vers le bas

Poids

0,5 kg env.

¹⁾ Pour LCD 704-Ex, cf. protection contre les explosions ou certificat de conformité

Protection contre les explosions

Type d'appareil

LCD 704-Ex; P 31413-0-21

Code constructeur interne

49/30-11 Ex

Certificat de conformité

PTB No. Ex-91.C.2127

Certification

EEx ia/ib IIC T6 ou

EEx ia/ib IIC T5

Classe de température

T6 pour température ambiante 50 °C

T5 pour température ambiante 60 °C

Données électriques

Circuit d'entrée

Protection à sécurité intrinsèque EEx ia IIC

uniquement pour branchement à des circuits certifiés à sécurité intrinsèque avec les valeurs max. suivantes:

$U_0 = 35 \text{ V}$

$I_k = 100 \text{ mA}$

La capacité effective et l'inductance sont à négliger.

Circuits de sortie ¹⁾

Protection à sécurité intrinsèque EEx ib IIC

ou EEx ib IIB

Valeurs max. par circuit:

$U_0 = 16 \text{ V}$

$I_k = 1 \text{ mA}$

$P = 1 \text{ mW}$

¹⁾ uniquement pour LCD 704-Ex, P 31413-0-211

L'inductance effective interne est à négliger. La capacité effective interne est de $C_i \leq 5,2$ nF.

Uniquement pour branchement à des circuits certifiés à sécurité intrinsèque avec les valeurs max. suivantes par circuit:

$$U_o = 30 \text{ V}$$

$$I_k = 50 \text{ mA}$$

$$P = 0,8 \text{ W}$$

L'inductance (L_a) et la capacité (C_a) externes admissibles sont fonction du circuit branché, certifié à sécurité intrinsèque, comme suit:

Circuit branché à sécurité intrinsèque			Groupe IIC		Groupe IIB	
U	I	P	La	Ca	La	Ca
30 V	50 mA	0,375 W	15 mH	18 nF	56 mH	194 nF
20 V	50 mA	0,250 W	15 mH	28 nF	56 mH	284 nF
15 V	50 mA	0,187 W	15 mH	51 nF	56 mH	414 nF
10 V	50 mA	0,125 W	15 mH	84 nF	56 mH	574 nF
30 V	26 mA	0,8 W	-	-	10 mH	120 nF
20 V	40 mA	0,8 W	0,15 mH	28 nF	10 mH	244 nF
15 V	50 mA	0,750 W	2 mH	51 nF	25 mH	150 nF
10 V	50 mA	0,500 W	5 mH	84 nF	25 mH	400 nF

Le circuit d'entrée est séparé galvaniquement des circuits de sortie et les circuits de sortie sont séparés galvaniquement entre eux.

Lieu de montage

A l'intérieur de la zone explosive en zone 1

Emballage

Recouvrir la vitre de verre avant l'emballage.

Au cas où l'emballage d'origine ne serait plus disponible, l'appareil devrait être enveloppé dans une feuille à matelas d'air isolant ou dans du carton ondulé et emballé dans une caisse assez grande remplie de matériaux d'emballage amortissant les chocs (mousse ou semblables). Choisir l'épaisseur de l'emballage en fonction du poids de l'appareil et du mode de transport prévu. La caisse doit porter l'inscription „produit fragile“.

En cas d'expédition outre-mer, l'appareil doit en plus être emballé hermétiquement dans une feuille de polyéthylène de 0,2 mm d'épaisseur en y ajoutant un déshydratant (par ex. gel de silice). La quantité de déshydratant dépend du volume de la caisse et de la durée prévue de transport (au moins 3 mois). La caisse doit, en plus, être revêtue d'une couche de papier double bitumé.

Schéma des connexions et équipement des cartes imprimées

voir page 32

Pièces de rechange

Les pièces de rechange sont énumérées dans la liste des pièces de rechange ci-dessous. Veuillez indiquer, lors de la commande, la désignation et le numéro de commande (B-Nr.) de la pièce de rechange. Veuillez également indiquer les numéros de fabrication et de commande inscrits sur la plaque signalétique.

Les désignations figurant sur la liste des pièces de rechange, sur l'accusé de réception de commande, sur le bordereau de livraison et sur la facture peuvent différer des désignations des fonctions utilisées dans le mode d'emploi présent.

Seul le numéro de commande fait foi!

Désignation	N° de commande (B-Nr.)	
	sans valeur limite	avec valeur limite
Carte de signalisation		
0,3 ... 20 mA	0761931 „A“	—
4 ... 20 mA	0761932 „A“	0761934 „A“
4 ... 20 mA (-Ex)	0761933 „A“	0761935 „A“
Carte de sortie		
0,3 ... 20 mA	0761936 „A“	—
4 ... 20 mA	0761937 „A“	0761939 „A“
4 ... 20 mA (-Ex)	0761938 „A“	0761940 „A“
Carte d'entrée		
0,3 ... 20 mA	0761941 „A“	—
4 ... 20 mA	0761942 „A“	0761944 „A“
4 ... 20 mA (-Ex)	0761943 „A“	0761945 „A“
Affichage DEL	0761946 „A“	

Indice	Página
Empleo y descripción	23
1 Instalación	
1.1 Montaje	23
1.2 Conexión.....	24
2 Puesta en servicio	
2.1 Operaciones previas	25
2.1.1 Establecimiento de los límites de rango.....	25
2.1.2 Ajuste de los valores inicial y final	25
2.1.3 Ajuste de la coma	25
2.2.1 Ajuste de los valores límite.....	26
2.2.2 Variación de la histéresis	26
2.2 Emisión de señales límite.....	27
3 Conservación	27
Apéndice	
Datos técnicos	28
Prescripciones para el embalaje	29
Repuestos	30
Esquemas de circuitos y elementos componentes de las placas de circuito impreso	33

Reservado el derecho de efectuar modificaciones técnicas.
Sin nuestra autorización, no está permitida la reimpresión, reproducción o traducción, aunque sean extractadas.

Instrucciones muy importantes que se han de leer y cumplir sin falta

El servicio impecable y seguro del Indicador local LCD 704/LCD 704-Ex presupone que el aparato se transporte y almacene debidamente, que se instale y ponga en servicio correctamente, que se use sólo para los fines a que está previsto y que se someta a un mantenimiento cuidadoso.

Solamente deben efectuar trabajos en el instrumento personas que estén familiarizadas con la instalación, la puesta en servicio, el manejo y el mantenimiento de aparatos semejantes y que posean la calificación que corresponde a sus actividades. Estas personas deben observar exactamente lo indicado en las presentes instrucciones, las prescripciones de seguridad que figuran en el instrumento así como las prescripciones de seguridad para la realización y el servicio de instalaciones eléctricas.

Este aparato está construido y probado con arreglo a DIN VDE 0411, Parte 1, „Medidas de protección para aparatos de medición electrónicos“ y ha salido de fábrica en perfecto estado por lo que se refiere a la seguridad. Para conservar este estado y asegurar un servicio exento de peligros, debe Vd. cumplir las prescripciones de seguridad dadas en los apartados de estas instrucciones que llevan el título „Atención“.

En lugar de las normas industriales y disposiciones (p. ej., DIN, VDI, VDE) y las ordenanzas y disposiciones referentes a la protección contra explosiones (p. ej., ElexV, EX-RL, VDE, DIN EN), que se indican en las presentes instrucciones y que son válidas para la República Federal de Alemania, deberá observar Vd., en caso de que emplee el Indicador local fuera de su ámbito de validez, las correspondientes prescripciones vigentes en el país donde lo use.

Empleo y descripción

El indicador LCD 704 es un instrumento de medición para la indicación digital „in situ“ de cualesquiera variables de proceso.

La señal de medida es entregada por un convertidor apropiado con salida normalizada de 4...20 mA.

No es necesaria alimentación externa de energía.

El sector de indicación LCD, con cifras de 25 mm de altura, protegido por un cristal transparente incluido en la caja, es bien legible aun a distancias grandes.

La sólida caja de poliéster es adecuada para montaje mural así como también para montaje en tubos verticales u horizontales de hasta 2" de diámetro.

Los valores de indicación inicial y final se pueden variar desde delante mediante un potenciómetro, después de quitar la tapa de la caja. Lo mismo rige para valores límite mínimos y máximos. Esto significa para el usuario una gran flexibilidad en la adaptación del indicador a funciones de medición „in situ“.

Variantes del instrumento

Variante 1: 4...20 mA con indicación de señal límite

Variante 2: 4...20 mA sin indicación de señal límite

Variante 3: 0,3...20 mA sin indicación de señal límite

Variante 4: 4...20 mA con indicación de señal límite, ejecución contra explosiones

Variante 5: 4...20 mA sin indicación de señal límite, ejecución contra explosiones

1 Instalación

1.1 Montaje

En la elección del lugar de montaje se han de tener en cuenta los límites de las solicitaciones climatológicas y mecánicas (véase „Datos técnicos“).

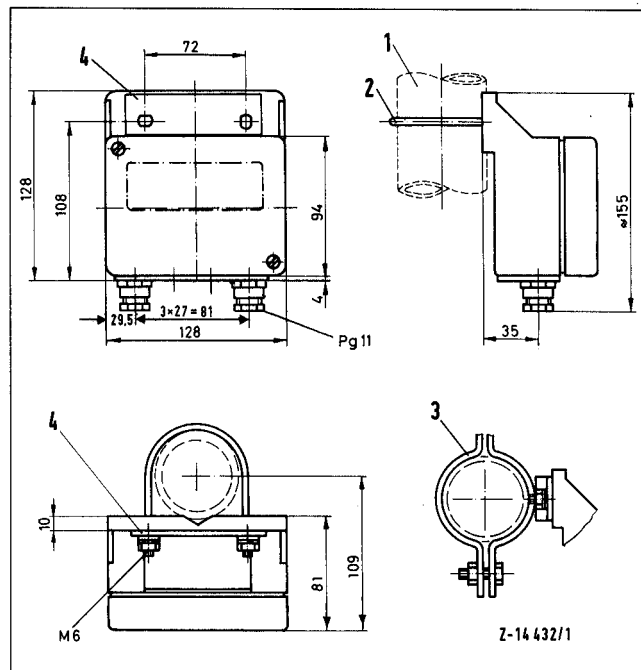


Figura 1 Croquis acotado (medidas en mm)

- | | |
|----------------------|---------------------|
| 1 Tubo 2" | 3 Abrazadera |
| 2 Estribo de montaje | 4 Placa de refuerzo |

En la parte inferior de la caja se encuentra, arriba, una pletina provista de 2 agujeros de fijación (véase figura 1). Para poner el instrumento en tubos verticales de hasta 2", se encuentra en el suministro un estribo de montaje. Este estribo se hace pasar por los agujeros de fijación desde detrás.

Luego se ha de poner la placa de refuerzo antes de enroscar las tuercas M6 con arandelas. Sin placa de refuerzo existiría riesgo de rotura de la pletina.

En la fijación en tubos horizontales, hay que poner primero las dos abrazaderas (que se pueden suministrar como piezas adicionales) con una distancia igual a la de los agujeros de fijación; luego se atornilla el indicador de la forma descrita anteriormente.

En el montaje de la ejecución protegida contra explosiones del indicador, LCD 704-Ex P 31413-0-21..., se han de observar las ordenanzas sobre instalaciones eléctricas en recintos expuestos a explosiones (ElexV), las disposiciones para la realización de instalaciones eléctricas en centros de servicio expuestos a explosiones (DIN VDE 0165), y la certificación de conformidad PTB nº 91.C.2127, y la Código interno de fabrica nº 49/30-11 Ex.

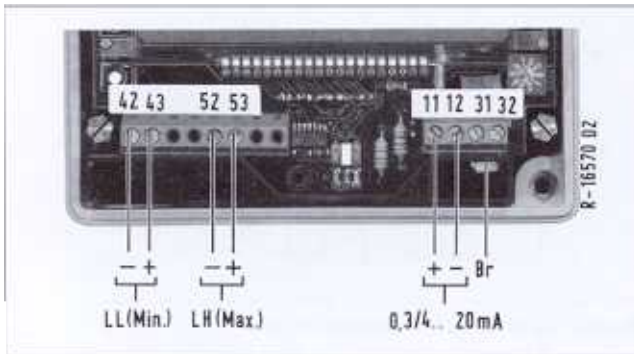


Figura 2 Esquema de conexiones en bornes

1.2 Conexión

Tanto en la elección del material de los conductores como en la instalación, se han de observar las disposiciones usuales en el país para la realización de instalaciones de corriente fuerte con tensiones de red de hasta 1000 V, p. ej., DIN VDE 0100.

Los conductores de medición se han de tender separados de conductores de corriente fuerte.

Después de soltar los dos tornillos se puede quitar la tapa de la caja. Se tiene entonces acceso a los bornes de conexión para hilos de 1,5 mm² como máximo.

El conductor de medición se introduce por el prensaestopas situado en la caja. La conexión eléctrica se efectúa en los bornes 11(+) y 12(-); véase figura 2.

Si en el circuito de medición de 4...20 mA hay que incluir más instrumentos de medición y registro, deberá quitarse el puente (Br) entre los bornes 31 y 32 y embornar en su lugar el conductor de conexión del instrumento adicional.

La conexión de las salidas de señales está
en los bornes 42-43 para contacto de mín. (LL)
en los bornes 52-53 para contacto de máx. (LH)

2 Puesta en servicio

2.1 Operaciones previas

Antes de poder efectuar los trabajos que se describen a continuación, es preciso quitar la tapa de la caja una vez soltados los dos tornillos de fijación. Después de ello se tendrá libre acceso a la tarjeta de indicación.

Atención (en la variante 1)

Al abrir la tapa de la caja quedan al acceso partes sometidas a tensión. Antes de efectuar compensaciones, trabajos de mantenimiento o de reparación o recambios de piezas, hay que desconectar la tensión de las corrientes de salida.

2.1.1 Establecimiento de los límites de rango

Las indicaciones numéricas se pueden variar „in situ“ dentro de amplias gamas. Considerando los límites de los parámetros para el alcance numérico y el desplazamiento del punto cero, es preciso comprobar antes del ajuste si la gama de indicación pretendida es realizable.

Para los límites de los parámetros rige lo siguiente:

Alcance numérico:

 mínimo 10 dígitos/mA

 máximo 100 dígitos/mA (alcance del rango)

 (alcance del rango = fin del rango de medición – comienzo del rango de medición)

Desplazamiento del punto cero:

 ± 100 % del alcance del rango (en dígitos)

Ejemplo 1:

 Gama de medición pretendida 4...20 mA:

 Indicación 300...400.

 Inadmisibles, pues el punto cero se ha de desplazar en más de 100 dígitos (alcance de rango 100).

Ejemplo 2:

 Gama de medición pretendida 4...20 mA:

 Indicación 400...2000.

 Admisible, pues el alcance del rango es 100 D/mA y el desplazamiento del punto cero $400/1600 = 25 \%$ del alcance.

Ejemplo 3:

 Gama de medición pretendida 4...20 mA:

 Indicación -300...000. Admisible, pues el alcance del rango es 18,75 D/mA y el desplazamiento del punto cero – 100 % del alcance.

Ejemplo 4:

 Gama de medición pretendida 0,3...20 mA:

 Indicación 030...2000. Admisible, pues el alcance del rango es 100 D/mA y el desplazamiento del punto cero $30/1970 = 1,5\%$ del alcance.

Ejemplo 5:

 Gama de medición pretendida 4...20 mA:

 Indicación -1000...+1000. Inadmisibles. Si bien el desplazamiento del punto cero es del 50% del alcance, el alcance es no obstante 125 D/mA.

Ejemplo 6:

 Gama de medición pretendida 0,3...20 mA:

 Indicación 500...600. Inadmisibles, pues el alcance del rango es 5,076 D/mA y el desplazamiento del punto cero $500/100 = 500 \%$ del alcance.

2.1.2 Ajuste de los valores inicial y final

(véase figura 3 y tabla 1)

El ajuste se efectúa después de aplicar una señal de medida en los bornes 11 (+) y 12 (-) con un transmisor mA (p. ej., Kompavi 4, Kompavi 10). Se presupone que el puente entre los bornes 31 y 32 está puesto. El valor inicial de la indicación numérica se ajusta con el conmutador S 4 (ajuste aproximado) y el potenciómetro R 11 (ajuste exacto).

El valor final se ajusta con el conmutador S 3 (ajuste aproximado) y el potenciómetro R 12 (ajuste exacto).

2.1.3 Ajuste de la coma (véase figura 3 y tabla 1)

La coma se varía pasando el puente DP a 1, 2 ó 3. Si el puente se quita, o se enchufa sólo en una clavija, no hay indicación de coma.

2.2.1 Ajuste de los valores límite (véase figura 3 y tabla 1)
 Los valores límite se pueden consultar durante el servicio con las teclas S2 = LH (máx.) y S1 = LL (mín.) después de retirar la tapa de la caja. Por la consulta no se altera el estado de los transistores de conmutación.

Con el potenciómetro R 43 se ajusta el valor límite inferior, y, con el R 42, el valor límite superior. Si se aprieta además la tecla S 1 o la tecla S 2, aparece en la indicación numérica el valor límite ajustado.

2.2.2 Variación de la histéresis (véase figura 4 y tabla 1)
 La histéresis se puede ajustar por separado para cada valor límite. Los puentes para la variación de la histéresis se encuentran en la tarjeta de entrada. Se accede a esta tarjeta después de soltar los 3 tornillos distanciadores (D) y de retirar la placa de circuito impreso para las indicaciones (véase figura 3).

Valores límite (sector F1)		Ajuste (sector F2)		Coma (sector F3)		
LH (Max.)	R 42	S4	Valor inicial	1	2	3
	S 2	R 11		x . x x x	<input type="checkbox"/>	<input type="checkbox"/>
LL (Min.)	R 43	R 12	Valor final	x x . x x	<input type="checkbox"/>	<input type="checkbox"/>
	S 1	S 3		x x x . x	<input type="checkbox"/>	<input type="checkbox"/>
			Exacto	x x x x	<input type="checkbox"/>	<input type="checkbox"/>
			Aproxim.		<input type="checkbox"/>	<input type="checkbox"/>
					<input type="checkbox"/>	<input type="checkbox"/>
Histéresis (sector 4)						
		0,5%	<input type="checkbox"/>	<input type="checkbox"/>	<input type="checkbox"/>	0,5%
LL (Min.)	1 %	<input type="checkbox"/>	<input type="checkbox"/>	<input type="checkbox"/>	<input type="checkbox"/>	1 % LH (Max.)
	2 %	<input type="checkbox"/>	<input type="checkbox"/>	<input type="checkbox"/>	<input type="checkbox"/>	2 %
						<input type="checkbox"/> Puente puesto

Z-16573

Tabla 1 Variación de las funciones

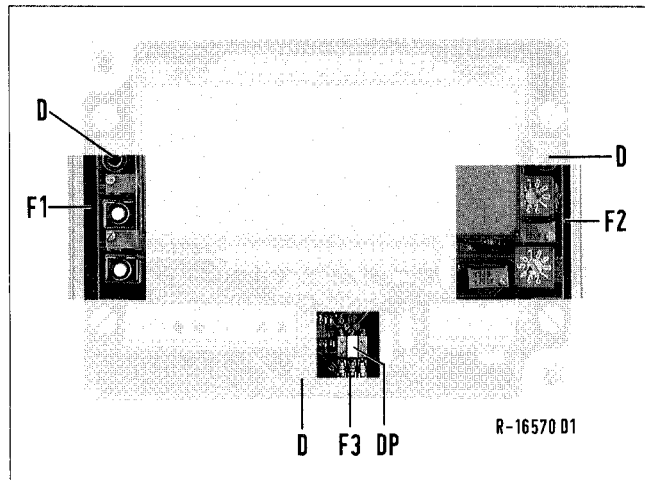


Figura 3 Tarjeta de indicación (D = tornillo distanciador)

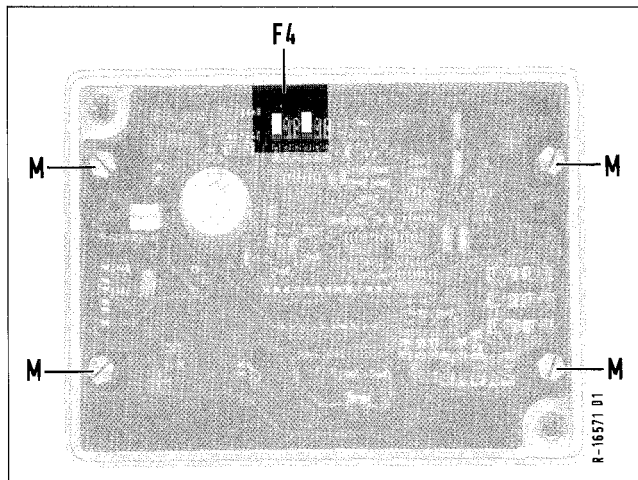



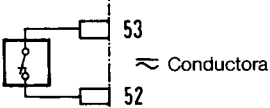

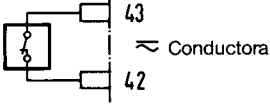

Figura 4 Tarjeta de entrada (M = perno)

Nota

Para el ensamblaje hay que atender a que las clavijas de la tarjeta de indicación no se doblen al enchufarlas en las regletas de hembrillas de la tarjeta de entrada. En caso dado, convendrá sacar de la caja el conjunto de placa de circuito impreso después de quitar los pernos distanciadores (M) y luego enchufar entre sí las tarjetas de indicación y de entrada. Después el conjunto de placa de circuito impreso se atornilla a la caja con los pernos.

2.2 Emisión de señales límite

La señalización tiene lugar óptica y eléctricamente cuando se alcanzan valores superiores al máximo o inferiores al mínimo.

	Pantalla	Salida de transistor
$X > LH$		
$X < LL$	 Luz interm.	
gamma de medición sobrepasada		Indicación de extralimitación
gama de medición no alcanzada	Si la entrada de medición queda por debajo de 0,3 mA ó 3,5 mA (en la gama de medición 4...20 mA) la indicación es indefinida	

¹ No rige para ejecución contra explosiones

Tabla 2 Emisión de señales límite

3 Conservación

El indicador no requiere mantenimiento

Atención

Si hay que suponer que ya no es posible un servicio sin peligros, deberá ponerse el aparato fuera de servicio y asegurarlo para que no pueda ponerse en funcionamiento inintencionadamente.

Hay que suponer que ya no es posible un servicio sin riesgos

- cuando el aparato presenta daños a simple vista,
- cuando el aparato ya no funciona,
- después de un almacenamiento prolongado bajo condiciones desfavorables,
- después de haber sufrido esfuerzos intensos durante el transporte.

Reparaciones en el LCD 704-Ex

Los trabajos de mantenimiento y las reparaciones „in situ“ se deben efectuar **después de eliminar el riesgo de explosiones**.

Si se efectúan reparaciones o modificaciones en partes de los instrumentos de las cuales dependa la protección contra explosiones, antes de ponerlos de nuevo en servicio un perito controlará y certificará que el instrumento concuerda, en lo que respecta a las características esenciales para la protección contra explosiones (dependientes de la clase constructiva y de la ejecución), con el medio de servicio descrito en la certificación.

Si la reparación la efectúa el fabricante del instrumento, p. ej., por mediación de un empleado de Hartmann & Braun Service, que pueda identificarse con el correspondiente certificado, o si se efectúa en la fábrica de procedencia, se pondrá simplemente una marca en la placa de características, indicativa de haberse realizado la reparación y la consiguiente prueba individual. En tal caso no será necesaria la presencia de un perito.

Apéndice

Datos técnicos

Alcance de indicación
± 1999, 3½ lugares

Altura de las cifras
25 mm

Punto decimal
A voluntad

Gama de medición y caída de tensión
4,00...19,00 mA ≤ 2 V o bien
0,3...19,99 mV ≤ 3 V

Desviación
± 0,1 % del valor de medida ± 1 dígito

Efecto de influencia de la temperatura
± 0,33 %/10°C

Extralimitación
Indicación „1“

Gama de medición no alcanzada
< 3,5 mA ó < 0,3 mA: indicación indefinida

Sección de valores límite

Vigilancia de valor límite
1 valor lím. mínimo y 1 valor lím. máximo; principio de la corriente de trabajo

Ajuste del valor límite
Con potenciómetro

Conmutación
Histéresis ajustable al 0,5; 1,0; 2,0 %

Gama de ajuste
0...100 % de la gama de indicación ajustada

Emisión de señales límite

Óptica: mediante correspondiente identificación en la pantalla

Eléctrica: salida de transistor

Salida de transistor (sólo en la variante 1)

Valores de servicio

Máx. 250 V~, 0,5 A, 100 W, cos φ = 0,8

Conmutación

Señal límite de máximo (LH): transistor conductor para $x > V_L$

Señal límite de mínimo (LL): transistor conductor para $x < V_L$

Seguridad eléctrica

Pruebas según DIN VDE 0411/IEC 348

Clase de protección
II

Tensión de prueba

4 kV; entrada respecto a salida

4 kV; salida respecto a salida

Categoría de sobretensiones III

Grado de ensuciamiento 2

Compatibilidad electromagnética

Antiparasitaje

Clase de valores límite B (DIN VDE 0871)

Certificación del fabricante sobre el antiparasitaje

El instrumento descrito en las presentes instrucciones concuerda con las disposiciones del Amtsblatt (Boletín oficial) 163/1984

-AmtsblVfg (disposiciones del Boletín oficial) 1046/1984 para aparatos según DIN VDE 0871 antiparasitados.

Se ha notificado a la Administración de correos alemana la comercialización de este instrumento y concedido la autorización para comprobar que la serie cumple con las disposiciones.

Solicitaciones mecánicas

Con arreglo a DIN 40 046, hojas 7 y 8

Clase de pruebas mecánicas

3/2 sF según WN 120-201

Solicitaciones climatológicas

Clase de aplicación según DIN 40 040

ZUE

Temperatura ambiente ¹⁾

-20...+60°C

Temperatura durante el transporte y el almacenamiento

-30...+80°C

Humedad relativa del aire, en promedio anual

≤ 75 %

Condensaciones

Raras y ligeras

Clase de protección según DIN 40 050

IP 65

Caja y montaje

Conexiones eléctricas

Bornes a rosca para 1,5 mm² como máximo

Material

Plástico de poliéster GV

Pintura

Gris RAL 7032

en el LCD 704-Ex; negra RAL 9001

Posiciones de uso

Con el prensaestopas hacia abajo

Peso

Aprox. 0,5 kg

¹⁾ Para LCD 704-Ex, véase „Protección contra explosiones“ y „Certificación de conformidad“

Protección contra explosiones

Tipo de aparato

LCD 704-Ex; P 31413-0-21.

Identificación interna de fábrica

49/30-11 Ex

Certificación de conformidad

PTB-Nr. Ex-91.C.2127

Identificación

EEx ia/ib IIC T6 o bien

EEx ia/ib IIC T5

Clase de temperaturas

T6 para temperatura ambiente de 50°C

T5 para temperatura ambiente de 60°C

Datos eléctricos

Circuito de entrada

En clase de protección de encendido, seguridad intrínseca EEx ia IIC Sólo para conexión a circuitos certificados y de seguridad intrínseca, con los valores máximos

siguientes:

$U_o = 35 \text{ V}$

$I_k = 100 \text{ mA}$

La capacidad y la inductancia internas eficaces son despreciables.

Circuitos de salida ¹⁾

En clase de protección de encendido, seguridad

intrínseca EEx ib IIC

o bien EEx ib IIB

Valores máximos por circuito:

$U_o = 16 \text{ V}$

$I_k = 1 \text{ mA}$

$P = 1 \text{ mW}$

¹⁾ Sólo para LCD 704-Ex, P 31413-0-21

La inductancia interna eficaz es despreciable. La capacidad interna eficaz es $C_i \leq 5,2 \text{ nF}$.

Sólo para conexión a circuitos certificados y de seguridad intrínseca, con los valores máximos por circuito siguientes:

$$U_o = 30 \text{ V}$$

$$I_k = 50 \text{ mA}$$

$$P = 0,8 \text{ W}$$

La inductancia (L_a) y capacidad (C_a) externas máximas admisibles dependen del circuito conectado (circuito certificado y de seguridad intrínseca), de la forma expuesta en la tabla.

Circuito de seguridad intrínseca conectado			Grupo IIC		Grupo IIB	
U	I	P	La	Ca	La	Ca
30 V	50 mA	0,375 W	15 mH	18 nF	56 mH	194 nF
20 V	50 mA	0,250 W	15 mH	28 nF	56 mH	284 nF
15 V	50 mA	0,187 W	15 mH	51 nF	56 mH	414 nF
10 V	50 mA	0,125 W	15 mH	84 nF	56 mH	574 nF
30 V	26 mA	0,8 W	-	-	10 mH	120 nF
20 V	40 mA	0,8 W	0,15 mH	28 nF	10 mH	244 nF
15 V	50 mA	0,750 W	2 mH	51 nF	25 mH	150 nF
10 V	50 mA	0,500 W	5 mH	84 nF	25 mH	400 nF

El circuito de entrada está separado galvánicamente (de forma segura) de los circuitos de salida, y los circuitos de salida lo están entre sí.

Lugar de montaje

Dentro del área expuesta a explosiones, zona 1

Embalaje

Antes del embalaje hay que tapar la placa transparente de la pantalla.

Si no se dispone ya del embalaje original, el instrumento ha de envolverse en lámina con colchón de aire o en cartón ondulado y ponerse en una caja suficientemente grande recubierta interiormente con material amortiguador de percusiones (plástico celular o similar). El grosor del acolchado se ha de adaptar al peso del aparato y a la clase de expedición prevista. La caja debe marcarse como „material frágil“.

En caso de expedición a ultramar, el instrumento se ha de envolver además en una lámina de polietileno de 0,2 mm que se ha de soldar de forma hermética al aire; se añadirá un agente secador (p. ej., gel de sílice). La cantidad de agente secador se ha de adaptar al volumen del embalaje y a la duración prevista del transporte (tres meses como mínimo). La caja se ha de revestir además con una capa de papel embadurnado de brea por las dos caras.

Repuestos

Los repuestos se relacionan en la lista que sigue.

Les rogamos que en pedidos de repuestos indiquen la denominación de la pieza y su número de pedido (B-Nr.). Indique también siempre los números de fabricación y de encargo inscritos en la placa de características.

Las denominaciones en la lista de repuestos, en la confirmación de encargo, en el talón de entrega y en la factura pueden diferir de las dadas en las presentes instrucciones, por estar referidas a las funciones.

Es decisivo el número de pedido únicamente.

Denominación	N° de pedido (B-Nr.)	
	Sin valor limite	Con valor limite
Tartje de indicación		
0,3 ... 20 mA	0761931 „A“	—
4 ... 20 mA	0761932 „A“	0761934 „A“
4 ... 20 mA (-Ex)	0761933 „A“	0761935 „A“
Tartje de salida		
0,3 ... 20 mA	0761936 „A“	—
4 ... 20 mA	0761937 „A“	0761939 „A“
4 ... 20 mA (-Ex)	0761938 „A“	0761940 „A“
Tartje de entrada		
0,3 ... 20 mA	0761941 „A“	—
4 ... 20 mA	0761942 „A“	0761944 „A“
4 ... 20 mA (-Ex)	0761943 „A“	0761945 „A“
Pantalla LC	0761946 „A“	

Circuit Diagrams and Printed Circuit Boards

List of diagrams

	Page
Figure 5 Input card, components side	34
Figure 6 Circuit diagram input, variant 3	35
Figure 7 Circuit diagram input, variant 4 or 1	36
Figure 8 Circuit diagram input, variant 5 or 2	38
Figure 9 Display card, components side	39
Figure 10 Circuit diagram display, variant 1 or 2; 4; 5	40
Figure 11 Circuit diagram display, variant 3	42
Figure 12 Output card, components side	43
Figure 13 Circuit diagram output, variant 4 or 1	44
Figure 14 Circuit diagram output, variant 2 or 3, 5	45

Schéma des connexions et équipement des cartes imprimées

Liste des figures

	page
Figure 5 Carte d'entrée, côté équipement	34
Figure 6 Schéma des connexions entrée, variante 3	35
Figure 7 Schéma des connexions entrée, variante 4 ou 1	36
Figure 8 Schéma des connexions entrée, variante 5 ou 2	38
Figure 9 Carte de signalisation, côté équipement	39
Figure 10 Schéma des connexions signalisation, variante 1 ou 2; 4; 5	40
Figure 11 Schéma des connexions signalisation, variante 3	42
Figure 12 Carte de sortie, côté équipement	43
Figure 13 Schéma des connexions sortie, variante 4 ou 1	44
Figure 14 Schéma des connexions sortie, variante 2 ou 3, 5	45

Esquemas de circuitos y equipamiento de las placas de circuito impreso

Indice de las figuras		Página
Figura 5	Tarjeta de entrada, lado de los elementos	34
Figura 6	Esquema de circuitos, entrada, variante 3	35
Figura 7	Esquema de circuitos, entrada, variante 4 ó 1	36
Figura 8	Esquema de circuitos, entrada, variante 5 ó 2	38
Figura 9	Tarjeta de indicación, lado de los elementos	39
Figura 10	Esquema de circuitos, indicación, variante 1 ó 2; 4; 5	40
Figura 11	Esquema de circuitos, indicación, variante 3	42
Figura 12	Tarjeta de salida, lado de los elementos	43
Figura 13	Esquema de circuitos, salida, variante 4 ó 1	44
Figura 14	Esquema de circuitos, variante 2 ó 3, 5	45

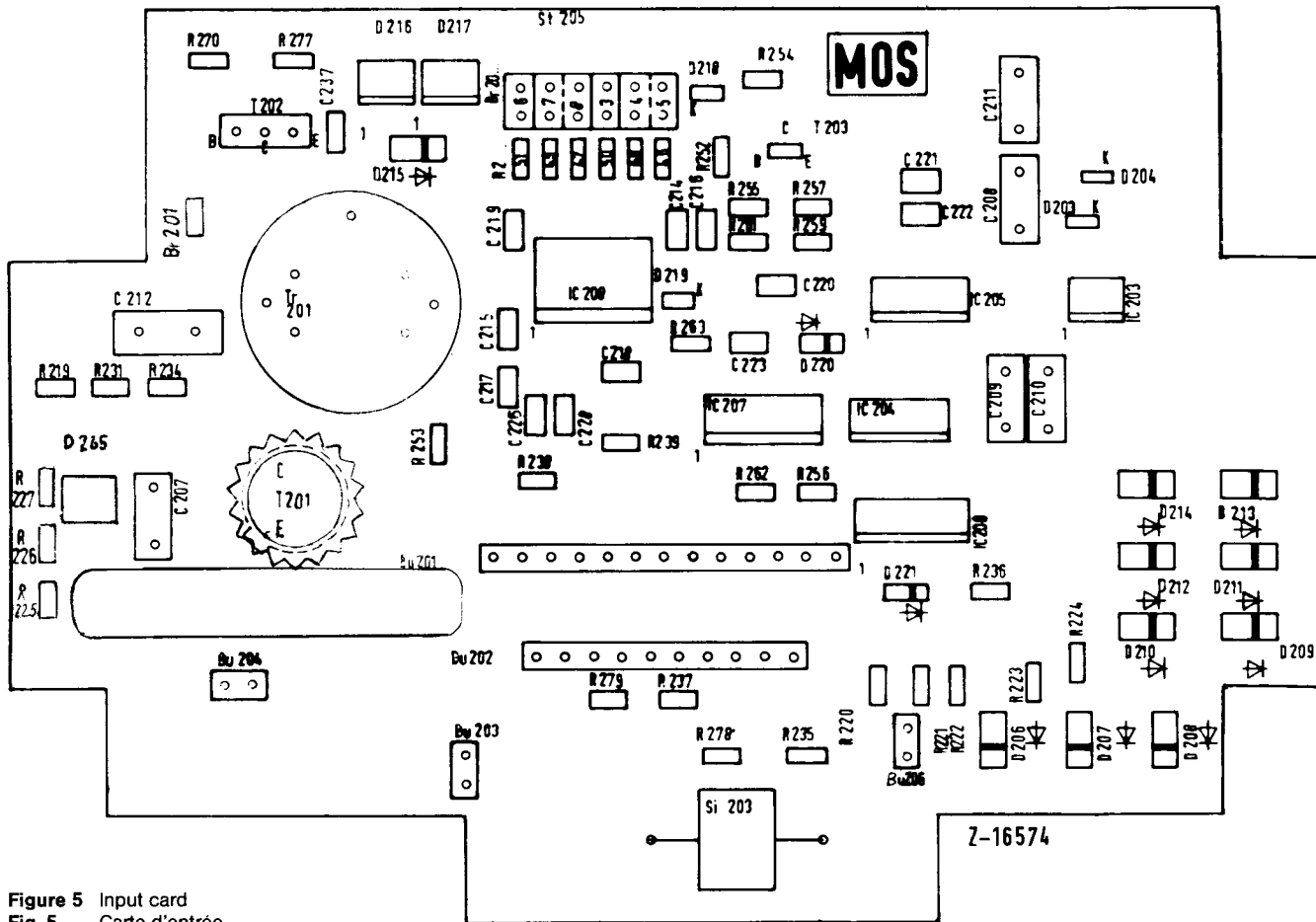


Figure 5 Input card
 Fig. 5 Carte d'entrée
 Figura 5 Tarjeta de entrada

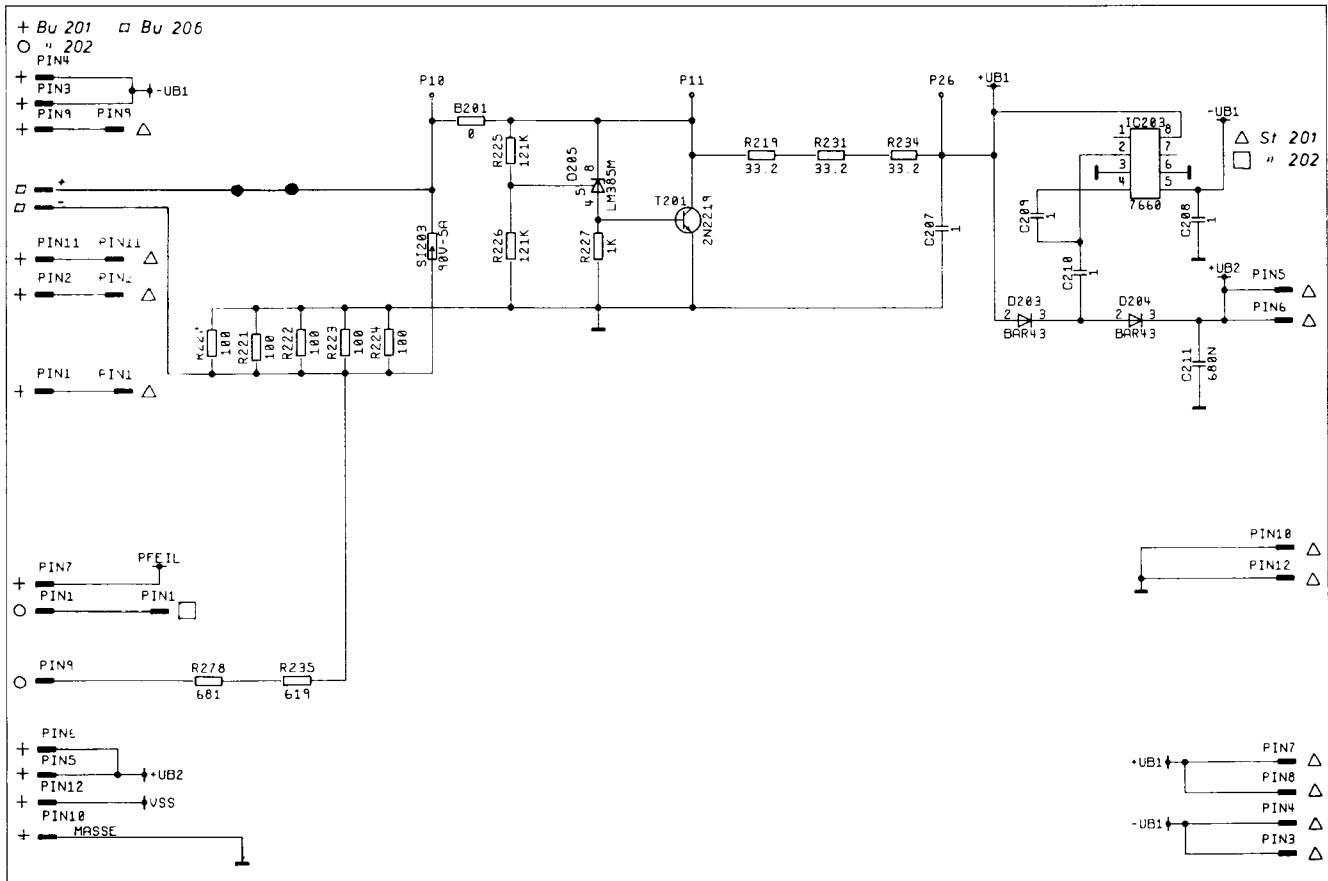


Figure 6 Circuit diagram input 0.3...20 mA (variant 3)
Fig. 6 Schéma des connexions entrée 0,3...20 mA (variante 3)
Figura 6 Esquema de circuitos, entrada 0,3...20 mA (variante 3)

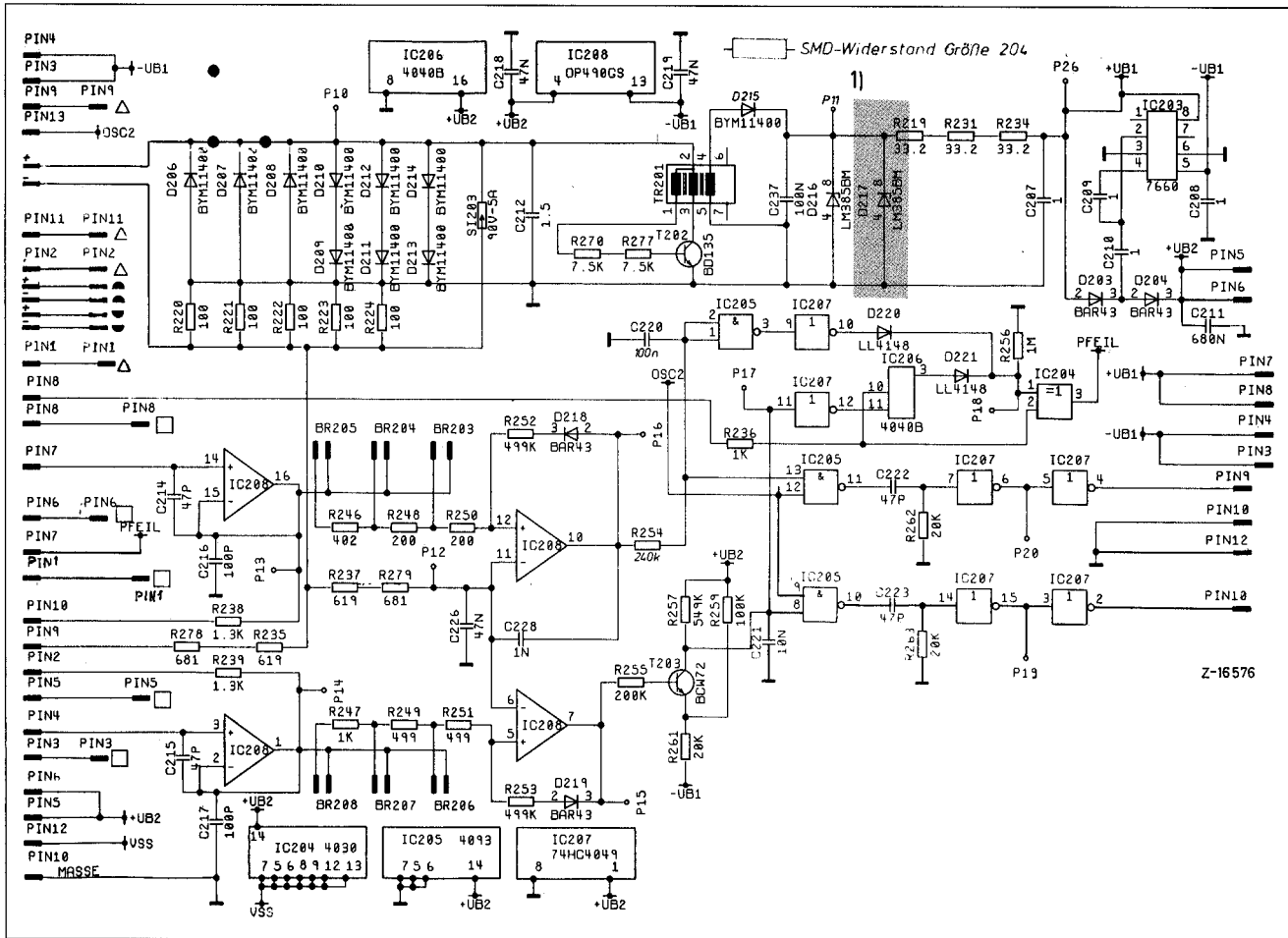


Figure 7 Circuit diagram input 4...20 mA
with alarm signals (variant 1)
with alarm signals, Ex-version (variant 4)

1) only for variant 4

Fig. 7 Schéma des connexions entrée 4...20 mA
avec signalisation des valeurs limites (variante 1)
avec signalisation des valeurs limites, version Ex,
(variante 4)

1) uniquement pour variante 4

Figura 7 Esquema de circuitos, entrada 4...20 mA
Con señales límite (variante 1)
Con señales límite, ejecución contra explosiones,
(variante 4)

1) Sólo en variante 4

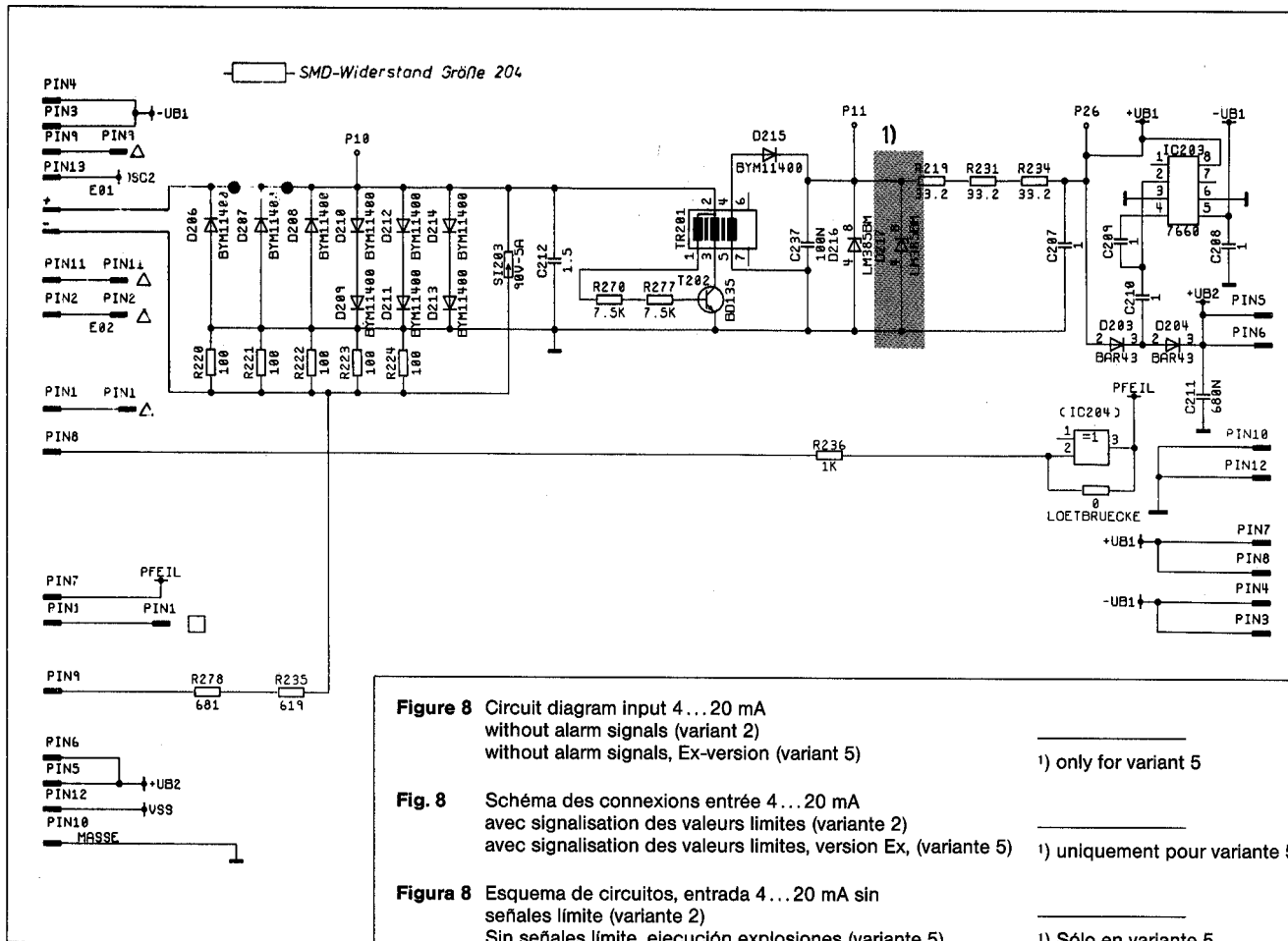


Figure 8 Circuit diagram input 4...20 mA
without alarm signals (variant 2)
without alarm signals, Ex-version (variant 5)

1) only for variant 5

Fig. 8 Schéma des connexions entrée 4...20 mA
avec signalisation des valeurs limites (variante 2)
avec signalisation des valeurs limites, version Ex, (variante 5)

1) uniquement pour variante 5

Figura 8 Esquema de circuitos, entrada 4...20 mA sin
señales límite (variante 2)
Sin señales límite, ejecución explosiones (variante 5)

1) Sólo en variante 5

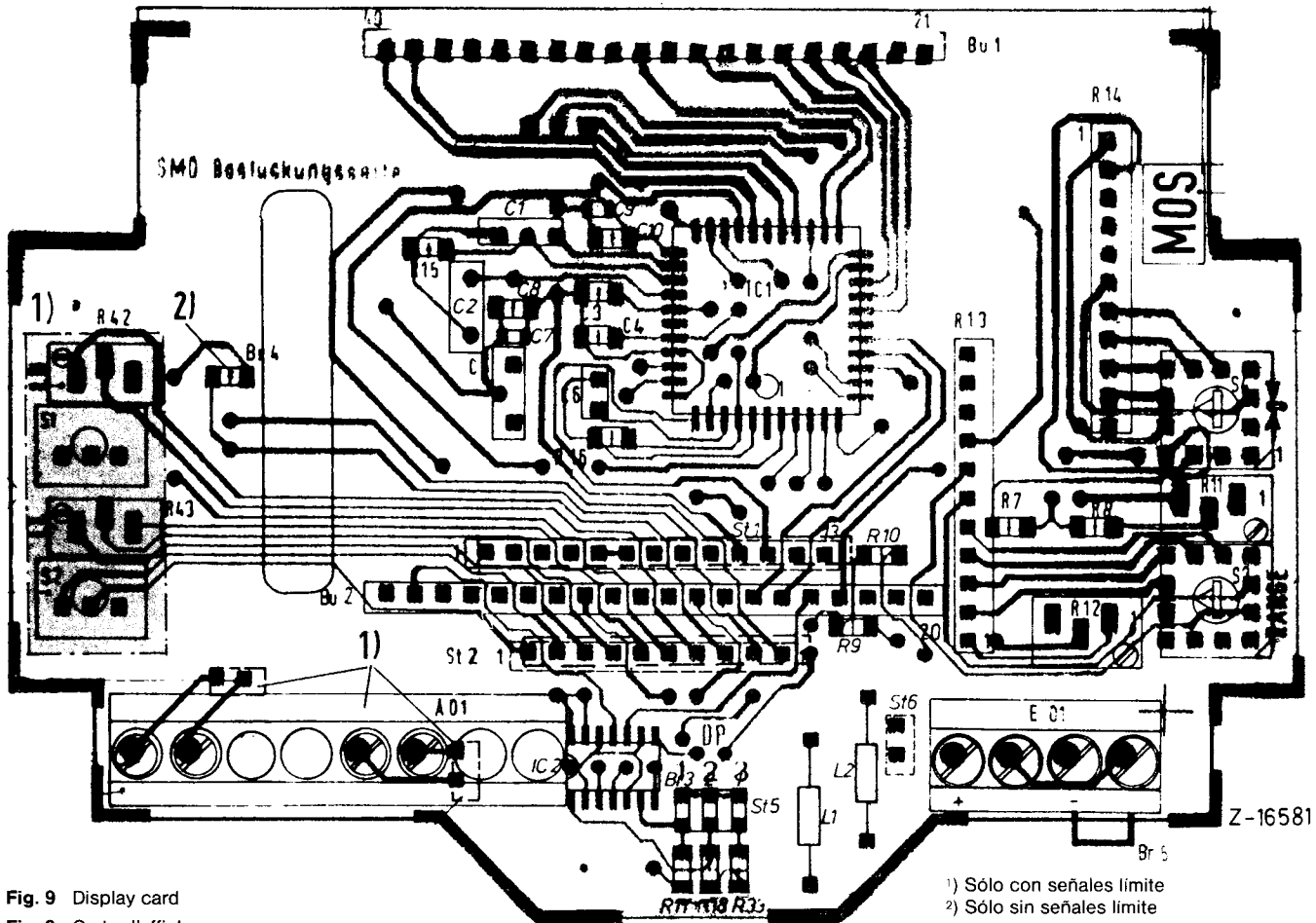


Fig. 9 Display card

Fig. 9 Carte d'affichage

Fig. 9 Tarjeta de indicación

- 1) only with alarm signals
 2) only without alarm signals

- 1) Sólo con señales límite
 2) Sólo sin señales límite
 1) uniquement pour valeurs limites
 2) uniquement sans valeurs limites

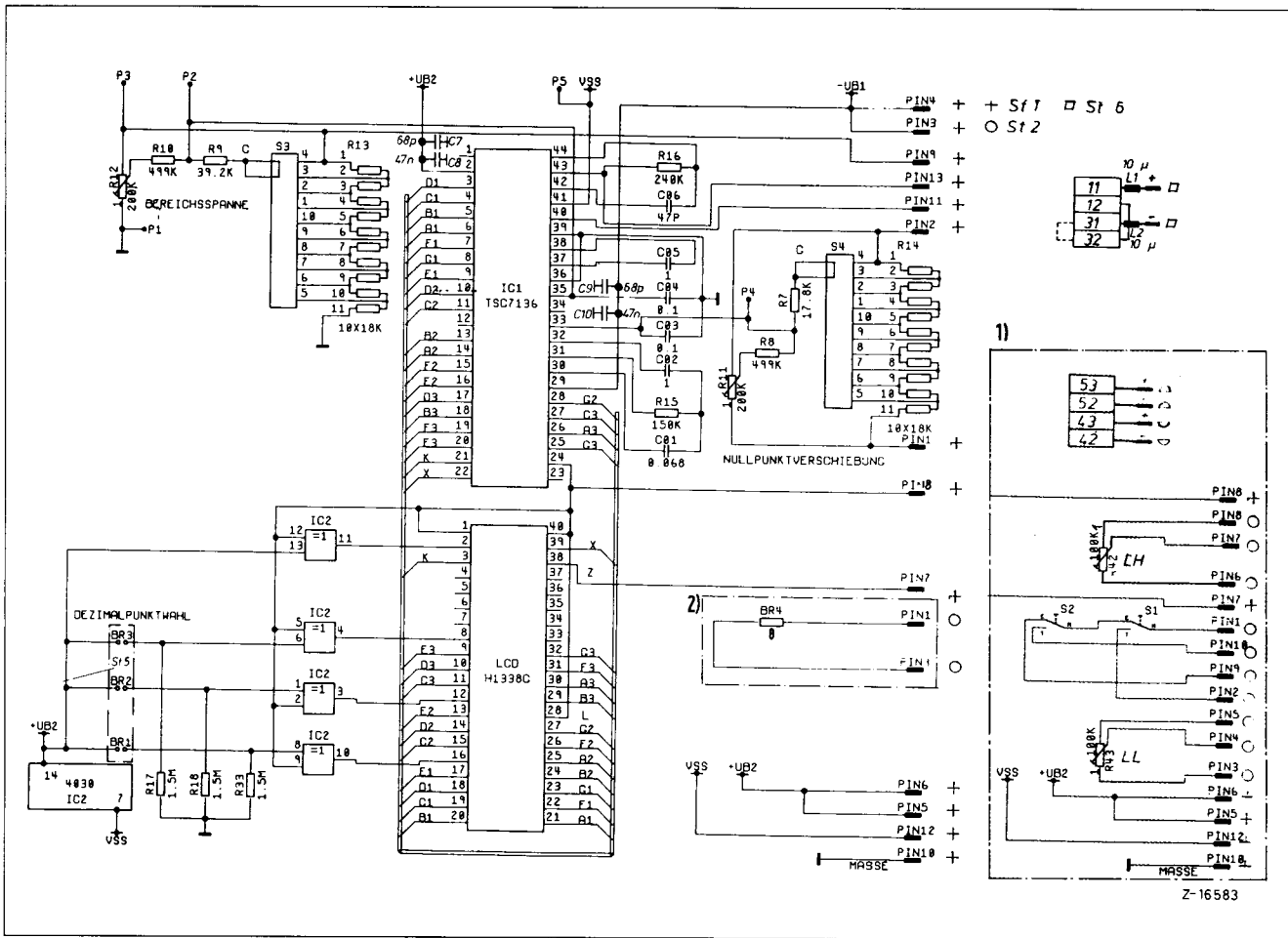


Figure on the left

- Figure 10** Circuit diagram display card
- 4 ... 20 mA with alarm signals (variant 1)
 - 4 ... 20 mA without alarm signals (variant 2)
 - 4 ... 20 mA with alarm signals, Ex-version (variant 4)
 - 4 ... 20 mA without alarm signals, Ex-version (variant 5)
-

1) only for variant 1; 4

2) only for variant 2; 5

Figure à gauche

- Fig. 10** Schéma des connexions carte de signalisation
- 4 ... 20 mA avec sign. des valeurs limites (variante 1)
 - 4 ... 20 mA sans sign. des valeurs limites (variante 2)
 - 4 ... 20 mA avec sign. des valeurs limites, version (variante 4)
 - 4 ... 20 mA sans sign. des valeurs limites, version Ex (variante 5)
-

1) uniquement pour variantes 1; 4

2) uniquement pour variantes 2; 5

Figura a la izquierda

- Figura 10** Esquema de circuitos, tarjeta de indicación
- 4 ... 20 mA con señales límite (variante 1)
 - 4 ... 20 mA sin señales límite (variante 2)
 - 4 ... 20 mA con señales límite, ejecución contra explosiones (variante 4)
 - 4 ... 20 mA sin señales límite, ejecución contra explosiones (variante 5))
-

1) Sólo en variantes 1; 4

2) Sólo en variantes 2; 5

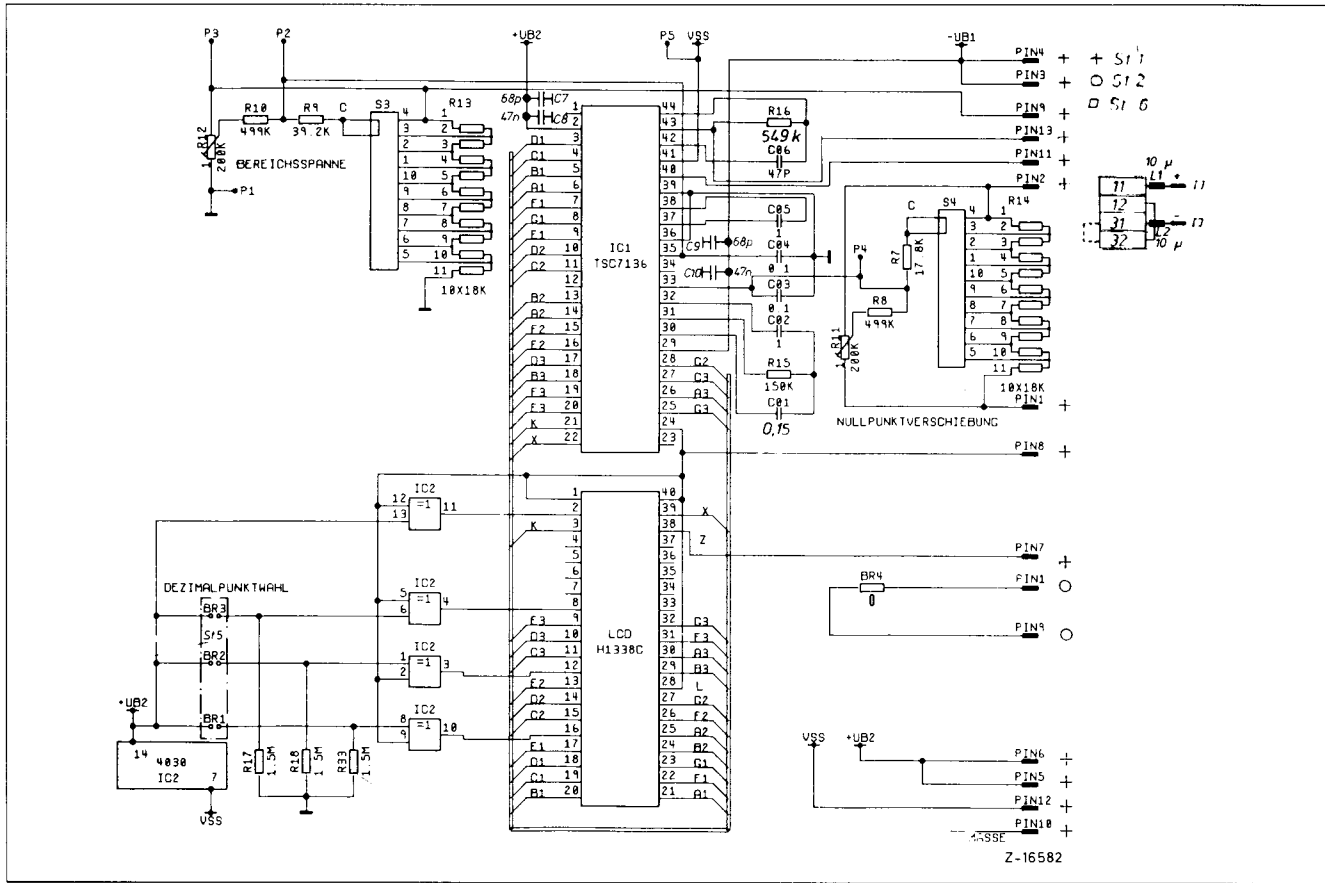


Fig. 11 Circuit diagram display card, 0.3... 20 mA, without alarm signals (variant 3)

Fig. 11 Schéma des connexions carte de signalisation 0,3... 20 mA, sans signalisation des valeurs limites (variante 3)

Fig. 11 Esquema de circuitos, tarjeta de indicación, 0,3... 20 mA, sin señales limite (variante 3)

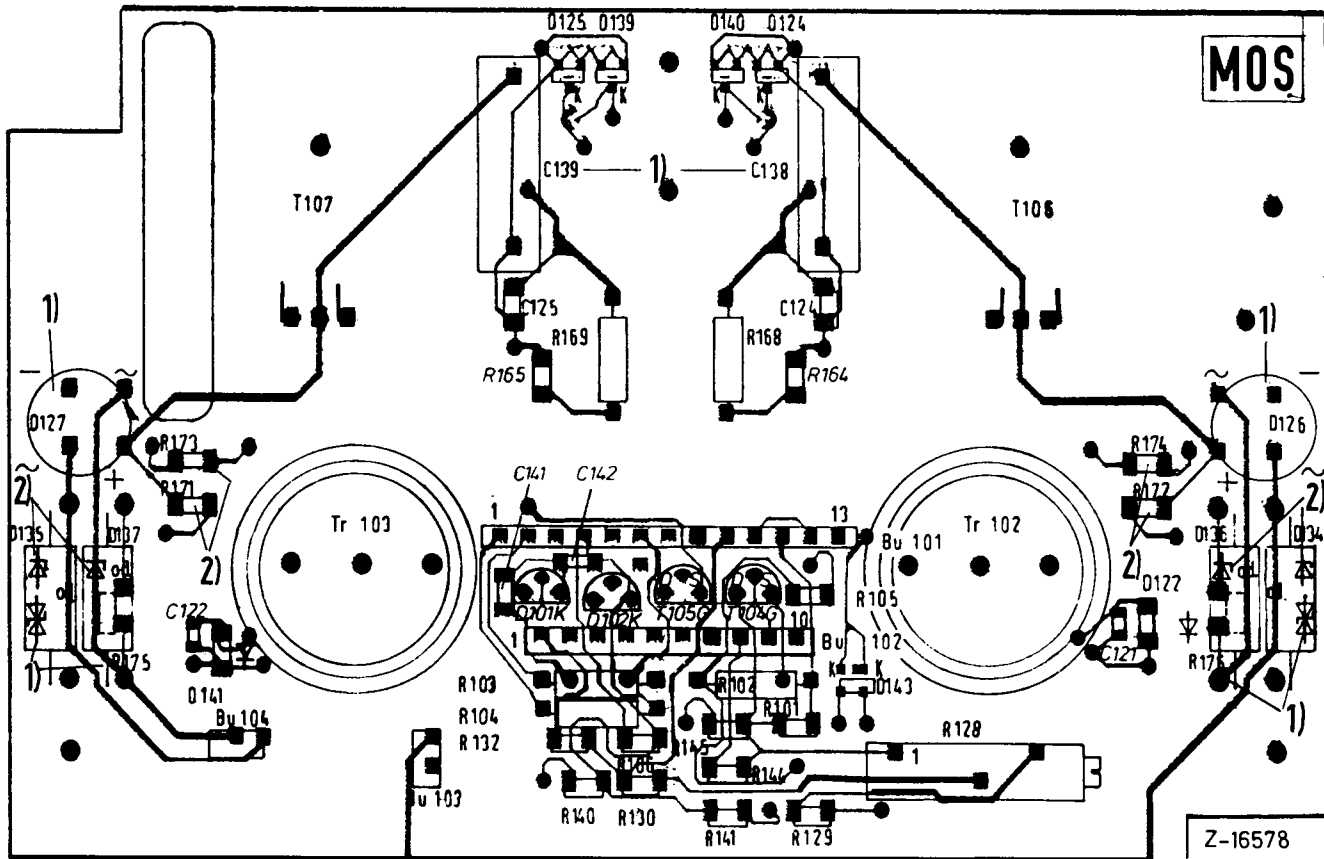


Fig. 12 Output card

Fig. 12 Carte de sortie

Fig. 12 Tarjeta de salida

1) only variant 1

2) only variant 4

1) uniquement variante 1

2) uniquement variante 4

1) Sólo en variante 1

2) Sólo en variante 4

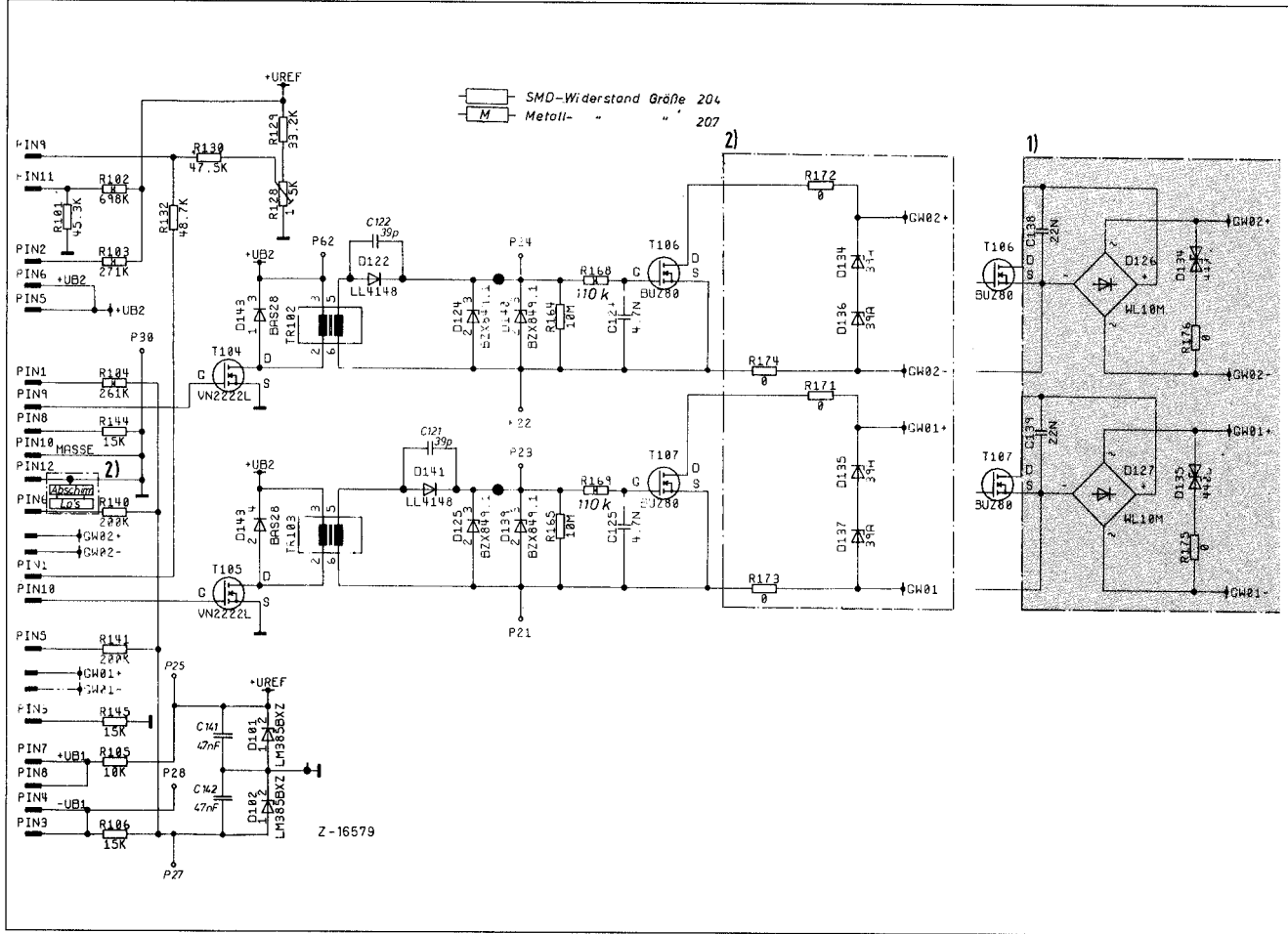


Figure on the left

Fig. 13 Circuit diagram output card 4...20 mA with alarm signal display standard version (variant 1) Ex-version (variant 4)

1) only for variant 1
2) only for variant 4

Figure à gauche

Fig. 13 Schéma des connexions carte de sortie 4...20 mA avec signalisation des valeurs limites Version standard (variante 1) Version Ex (variante 4)

1) uniquement variante 1
2) uniquement variante 4

Figura a la izquierda

Fig. 13 Esquema de circuitos, tarjeta de salida, 4...20 mA con indicación de señal límite Ejecución normal (variante 1) Ejecución contra explosiones (variante 4)

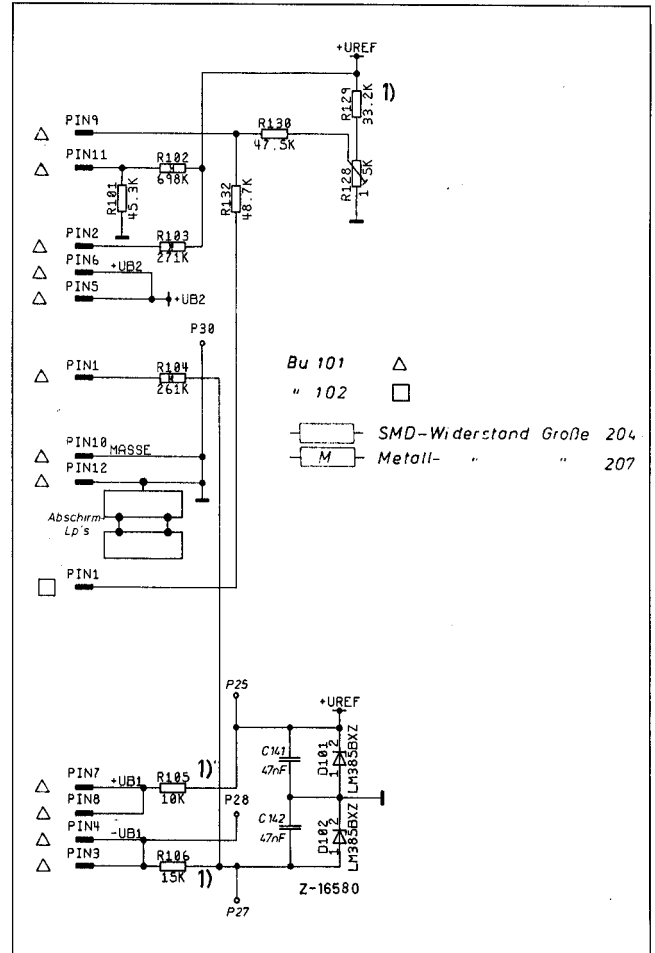
1) Sólo en variante 1
2) Sólo en variante 4

Fig. 14 Circuit diagram output card 4...20 mA, without alarm signals (variant 2) 0,3...20 mA, without alarm signals (variant 3) 4...20 mA, without alarm signals, Ex-version (variant 5)

Fig. 14 Schéma des connexions carte de sortie 4...20 mA, sans signalisation des valeurs limites (variante 2) 0,3...20 mA, sans signalisation des valeurs limites (variante 3) 4...20 mA, sans signalisation des valeurs limites, version Ex (variante 5)

Fig. 14 Esquemas de circuitos, tarjeta de salida 4...20 mA, sin señales límite (variante 2) 0,3...20 mA, sin señales límite (variante 3) 4...20 mA, sin señales límite, ejecución contra explosiones (variante 5)

1) for variant 3 } R 105 = 47,5 kΩ
1) pour variante 3 } R 106 = 56,2 kΩ
1) En variante 3 } R 129 = 604 kΩ



Subject to technical changes.

This technical documentation is protected by copyright. Translating, photocopying and disseminating it in any form whatsoever - even editings or excerpts thereof - especially as reprint, photomechanical or electronic reproduction or storage on data processing systems or networks is not allowed without the permission of the copyright owner and non-compliance will lead to both civil and criminal prosecution.

Sous réserve de modifications techniques.

Une réimpression, polycopie, traduction même partielles ne sont pas admises sans autorisation préalable.

Nos reservamos el derecho de introducir modificaciones técnicas sin preaviso



ABB Automation Products GmbH

Borsigstrasse 2

D-63755 Alzenau

Tel. +49(0)60 23 92 - 0

Fax. +49(0)60 23 92 - 33 00

<http://www.abb.com/automation>

Subject to technical changes.

Sous réserve de modifications techniques.

Printed in the Fed. Rep. of Germany

42/30-20 XP Rev.32.0

Edition 11.00