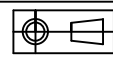


DRAWING NUMBER
NPWD148A

DO NOT SCALE



ISS	DATE	CHANGE	APPROVAL	ZONE
A	20/07/2016	ORIGINAL ISSUE		

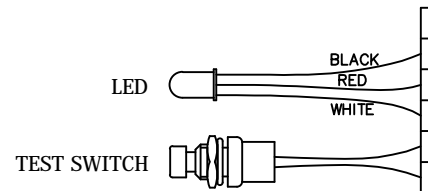
* Wire length short as marked on the ballast.

Gn/Yellow EARTH
Brown SWITCHE ACTIVE
Blue NEUTRAL

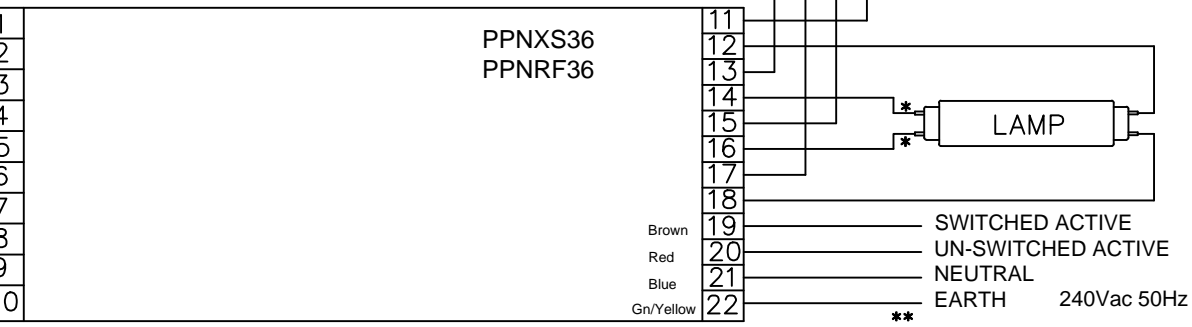
** control signal

TRIDONIC
PCA 2x36 T8 ECO Ip
Art. No. 28 000 039

** Wire length must be short for EMC.



If the dimming ballasts are to be employed with NEXUS, then the NEXUS power packs have to be assigned as a Non-Maintained. This is required as the ballast may be dimmed to low levels, at which point a maintained NEXUS power pack/fitting would report a faulty lamp.



**
Keep earth wire short.
If possible use ring terminal
and earth at control pack
mounting screw.

Antenna, Data & Battery Pack Connections Not Shown

NOTES:

1. Wiring status: Draft - Not tested. The ballast / power pack combination has not been wired up and tested to confirm functional compatibility.
2. This wiring diagram is provided in good faith and the best of our knowledge at the time of publication. Thomas and Betts does not give any warranty or representation as to the accuracy, reliability or completeness of the information. Thomas and Betts shall not be liable for any loss or damage arising in any way from or in connection with any information provided or omitted, or from anyone acting or refraining to act in reliance on this information.
3. Changes to ballast specification by the manufacturer are beyond our control and may cause adverse effect on the performance, EMC issue and compatibility issue. Consult Thomas and Betts for further advise.

DRAWN	G.K.Grover	Thomas&Betts <small>A Member of the ABB Group</small> <small>© ABN 62074810898 23A NYRANG ST, LIDCOMBE NSW 2141 AUSTRALIA</small>		
CHECKED	-----	TITLE Wiring diagram PPNXS36 using TRIDONIC PCA 2x36 T8 ECO Ip Art No 28000039 Electronic Ballast		
APPROVED	G.K.Grover	ALSO USED ON	DRAWING NUMBER	SHEET SIZE
DATE:	20/07/16	PPNRF36	NPWD148A	A3
DRAWING STD AS 1100		SCALE	N.T.S.	SHEET 1 OF 1