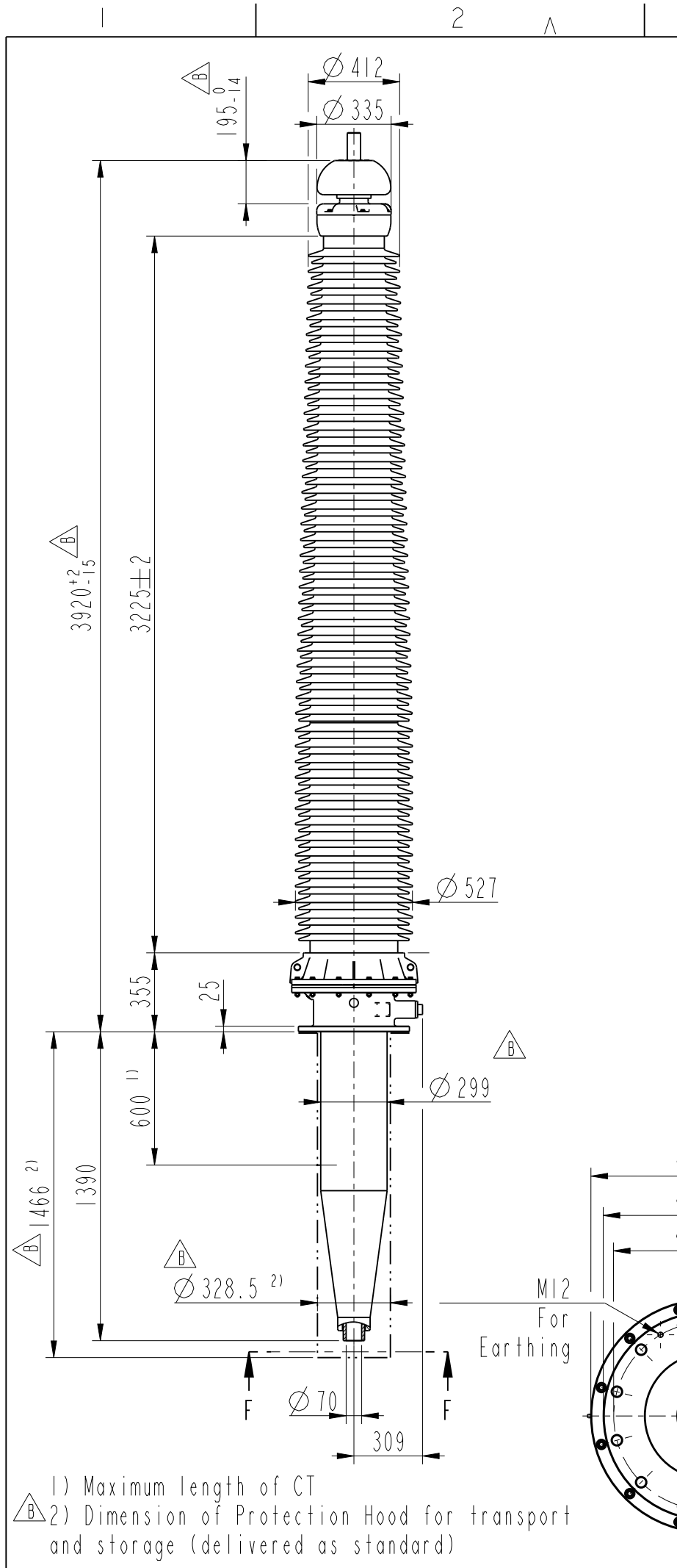


This document is issued by means of a computerized system. The digitally stored original is electronically approved. The approved document has a date entered in the "Approved"-field. A manual signature is not required.

The information contained in this document has to be kept strictly confidential. Any unauthorized use, reproduction, distribution or disclosure to third parties are strictly forbidden. ABB reserves all rights regarding Intellectual Property Rights. © Copyright 2010 ABB. All rights reserved.



**Bushing Data:**

Rated Voltage	420	kV
Phase-to-earth Voltage	243	kV
Dry Lightning Impulse 1,2/50µs	1550	kV
Wet Switching Impulse	1050	kV
Wet Power Frequency AC	n.a.	kV
Routine test Imin dry 50Hz	693	kV
Rated Current	1600	A
Creepage Distance, nominal	11852	mm
Creepage Distance, minimum	11550	mm
Mass, Bushing	970	kg
Mass, incl. protective hood	1004	kg

**Ordering Data:**

BUSHING		AIR INSULATOR COLOUR/TYPE	
IZSC901420	-AAB Test tap	Brown/	Porcelain
IZSC901420	-ABB Voltage tap 6kV	Brown/	Porcelain
IZSC901420	-BAB Test tap	Light grey/	Porcelain
IZSC901420	-BBB Voltage tap 6kV	Light grey/	Porcelain

OUTER TERMINAL	MATERIAL	D2 (mm)
IZSC999001-AAA	Al	30
IZSC999001-AAB	Al	60
IZSC999001-AAC	Cu	30
IZSC999001-AAD	Cu	40

DRAW ROD SYSTEM	
IZSC999006	Lower draw rod
IZSC999007	Upper draw rod

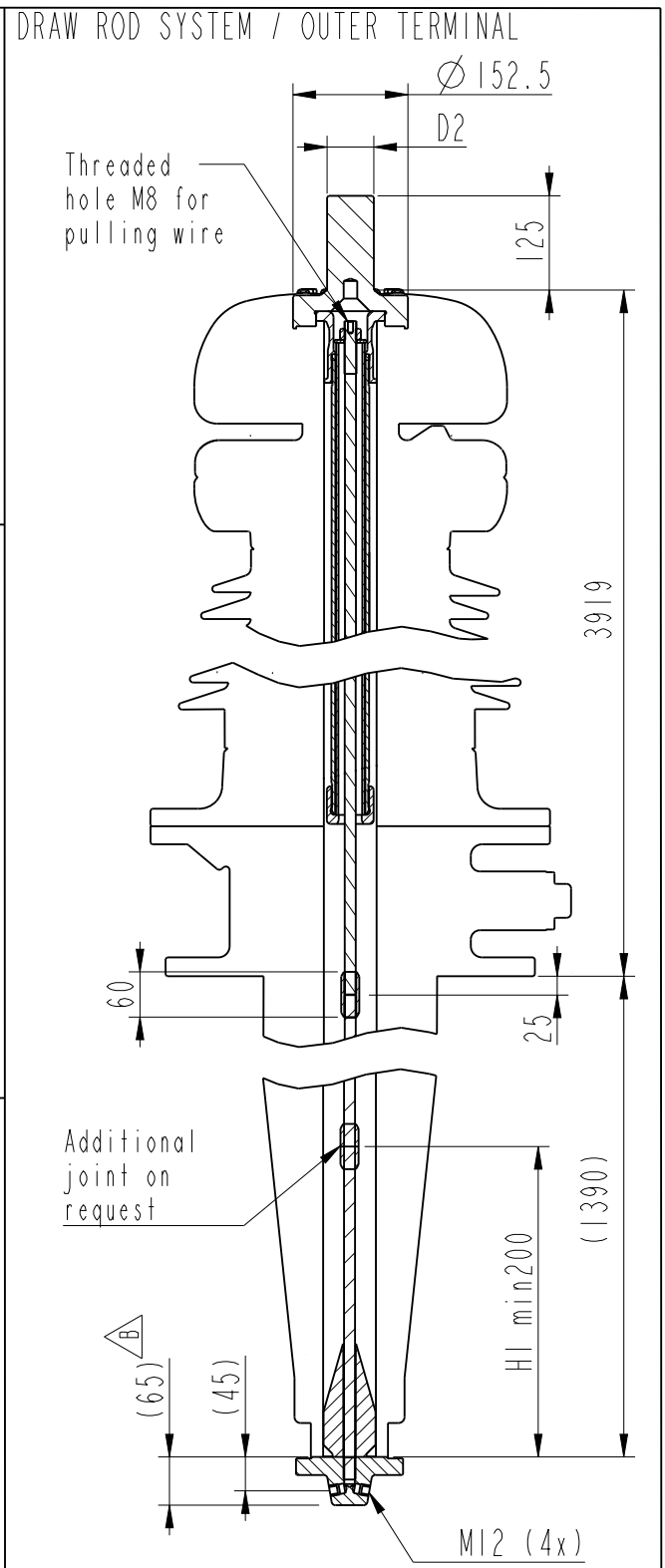
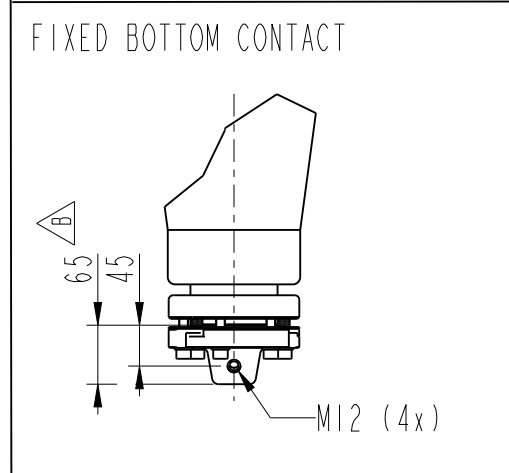
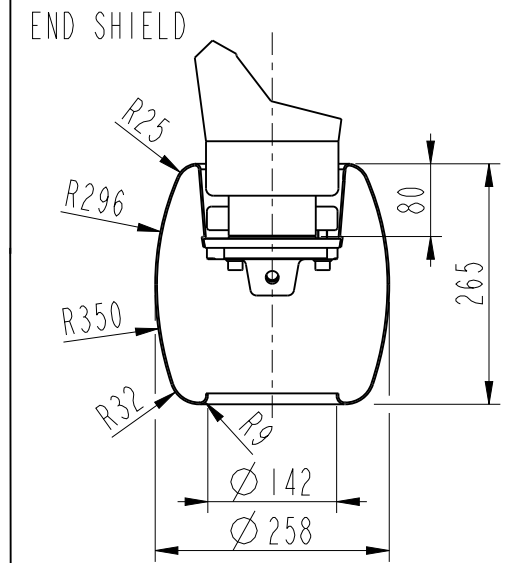
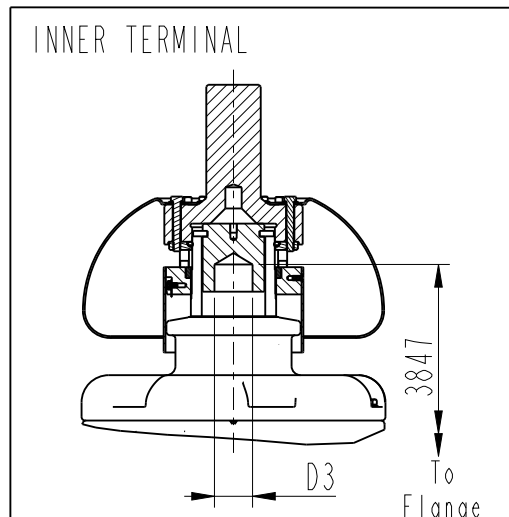
INNER TERMINAL	D3 (mm)
IZSC999005-AAA	15
IZSC999005-AAB	30
IZSC999005-AAC	40
IZSC999005-AAD	42

FIXED BOTTOM CONTACT	
IZSC999002-AAE	

END SHIELD	
IZSC999003-AEA	Epoxy insulated



1) Maximum length of CT  
 2) Dimension of Protection Hood for transport and storage (delivered as standard)

Prepared Praveenkumar B 2012-07-04	Responsible department PPCO/BK	Title GSB 420/1600/0,6	Language 82
Modified by Praveenkumar B 2012-10-17	Take over department		
Approved by Niklas Olsson 2012-10-17	Used in product	Order	Steel no. 
Revision B	Redrawn, mod&dim updt, replace endshield&Bottom cont		
Document no. 2751377-6		No. Shis. (1)	

