

Types VOY-15 and VOY-15G Outdoor voltage transformers

Product features

- 25 kV outdoor, 150 kV BIL, 60 Hertz
- Electrical clearances:
 - VOY-15:
 - Strike: 16.0" (406 mm)
 - Creep: 27.25" (692 mm)
 - VOY-15G:
 - Strike: 16.0" (406 mm)
 - Creep: 27.5" (698 mm)

Application

The VOY-15 and VOY-15G outdoor voltage transformers are designed for solid-state relaying and electronic metering where the burden of the device is negligible. Both units are designed to minimize susceptibility to destructive ferro-resonance by increasing the primary resistance and leakage reactance.

Construction features

The layer wound and shielded high voltage winding is designed to withstand continuous operation at 1.9 times the line-to-ground voltage level when applied on a 25 kV, 150 kV BIL system. The core and coil assembly is cast under a vacuum in a polyurethane resin formulated for outdoor service.

Terminals

The primary line terminals are electro-tin plated copper and accommodate #10 to 250 MCM conductors. The H2 neutral terminal of the VOY-15G is insulated to withstand a 19 kV test level and can be disconnected from the external ground cable for power factor measurement.

Secondary terminals are clamp-type and are sized for #14 through #3 wire. A ground terminal is also provided for grounding the secondary circuit at the transformer.

Junction box

The molded junction box has a 1" conduit hub on either end and a knock out for a 1" conduit fitting on the bottom. The box is anchored to the body of the transformer with screws and can easily be detached, simplifying installation and change out procedures.



Baseplate

The base is constructed of corrosion-resistant aluminum and is secured to the encapsulated base support.

Mounting

The VOY-15 and VOY-15G can be mounted in the upright or cantilever positions.

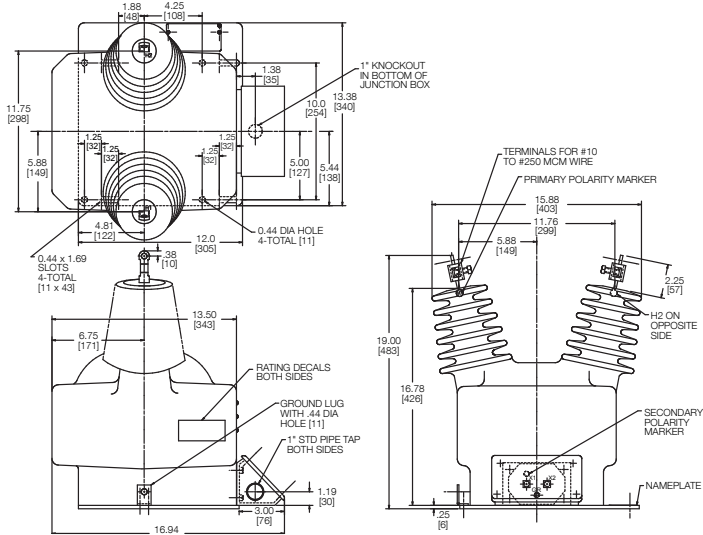
Test reports

IEEE test reports are stored electronically and can be e-mailed in various formats at the time of shipment.

Standards

This unit can be tested to all applicable IEEE, CSA, or IEC standards as requested.

Unit dimensions



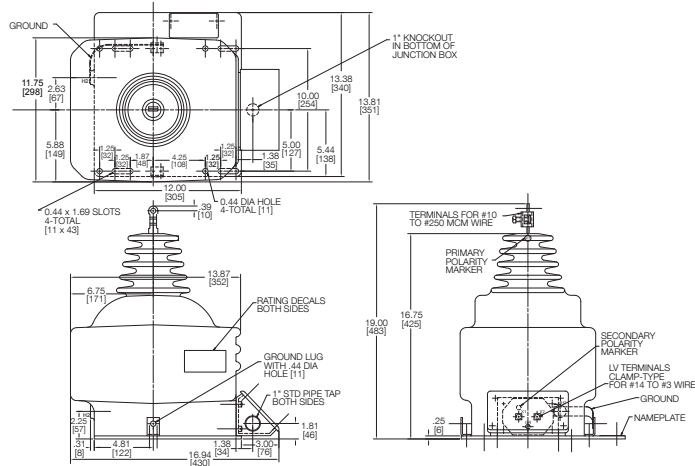
Type VOY-15

(Approximate weight: 148 lbs.)

For more information please contact:

ABB Inc.
Medium Voltage Distribution Components
3022 NC 43 North
Pinetops, NC 27864
USA
Phone: +1 252 827 3212
Fax: +1 252 827 4286

www.abb.com/mediumvoltage



Type VOY-15G

(Approximate weight: 142 lbs.)

Note:

We reserve the right to make technical changes or modify the contents of this document without prior notice. With regard to purchase orders, the agreed particulars shall prevail. ABB does not accept any responsibility whatsoever for potential errors or possible lack of information in this document. We reserve all rights in this document and in the subject matter and illustrations contained therein. Any reproduction—in whole or in parts—is forbidden without ABB's prior written consent.

Copyright 2014 ABB.
All rights reserved.

Selection guide

Primary voltage	Winding ratio	IEEE metering accuracy	Thermal rating*	Style number
VOY-15				
12000/20780Y	100:1	0.3 W, X, M, Y	1000	7526A62G01
14400/24940Y	120:1	0.3 W, X, M, Y	1000	7526A62G02
18000/18000Y	150:1	0.3 W, X, M, Y	1000	7526A62G03
20000/20000Y	166.7:1	0.3 W, X, M, Y	1000	7526A62G04
24000/24000Y	200:1	0.3 W, X, M, Y	1000	7526A62G05
VOY-15G				
20780/12000GY	100:1	0.3 W, X, M, Y	1000	7526A63G01
24940/14400GY	120:1	0.3 W, X, M, Y	1000	7526A63G02

* Thermal rating at 30° C

Additional styles available upon request. Contact your ABB sales representative or call +1-252-827-3212 for more information.