

We reserve all rights in this document and in the information contained therein. Reproduction, use or disclosure to third parties without express authority is strictly forbidden. © ABB 19

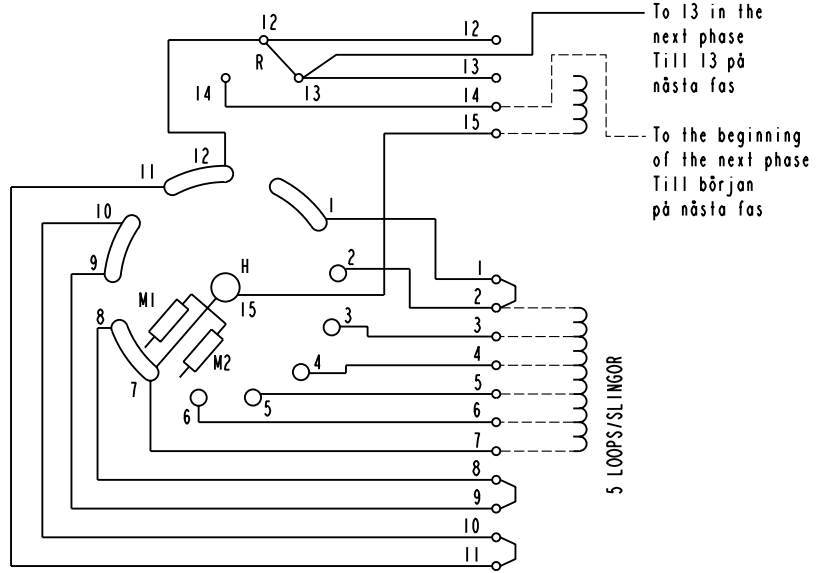
Pos. Lage	R connects förbinder	H connects förbinder
1	12-13 Y	2-15
2		3-15
3		4-15
4		5-15
5		6-15
6		7-15
6A		8-15
6B		9-15
6C		10-15
6D		11-15
6E		12-15
7B	12-14 D	1-15
7A		2-15
7		3-15
8		4-15
9		5-15
10		6-15
11		7-15
12		

When operating from pos. 6 to 7 and from 7 to 6 the transformer must be de-energized.

Vid manöver från läge 6 till 7 och från 7 till 6 måste transformatorn vara spänningslös.

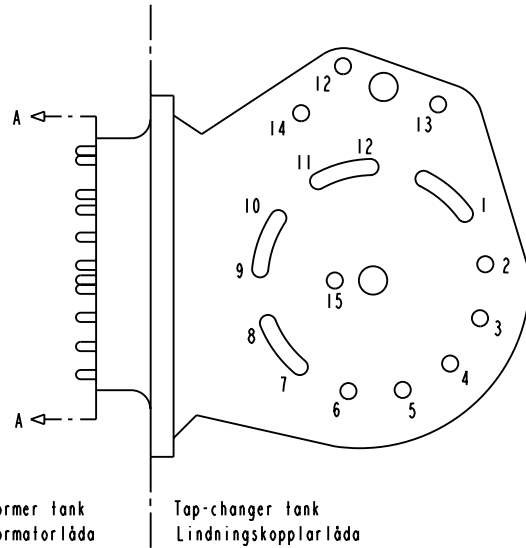
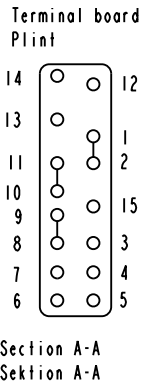
On-load tap-changer type UZEYD, UZFYD, Y/D switching, 6 positions in Y and 6 positions in D.
Max effective No. of turns in pos. 1 and in pos. 7.
The tap-changer is delivered set in pos. 6.

Lindningskopplare typ UZEYD, UZFYD, Y/D koppling, 6 lägen i Y och 6 lägen i D.
Max antal effektiva varv i läge 1 och läge 7.
Lindningskopplaren levereras inställd i läge 6.



The tap-changer is shown in pos. 6
Lindningskopplaren visad i läge 6

- R Y/D change-over selector
Y/D-omkopplare
- H Main contact
Huvudkontakt
- M1, M2 Transition contacts
Motståndskontakter



Sheet	Cont	
Year	Week	
Dept		
Rev Ind	Revision	
Appd	Year	Week
Design checked by	M. Hedlund	
Design checked by	B-O. Stenestam	
Design checked by	L. Bergman	
Design checked by	COM/TKO 97 34	

Accepted by qual control	Accepted for prod by	Appd	Year	Week
R. Yngvesson				

Design checked by	Drawn by	Description (English)	DATA ORIGINAL
B-O. Stenestam	L. Bergman	CONNECTION DIAGRAM	

Design checked by	Issued by Dept	Year	Week	Description (own language)	File name
M. Hedlund	COM/TKO	97	34	KOPPLINGSSHEMA	0399-2

Lang	Sheet
	1
Rev Ind	Cont

ABB	Asea Brown Boveri	5492 0399-2
-----	-------------------	-------------