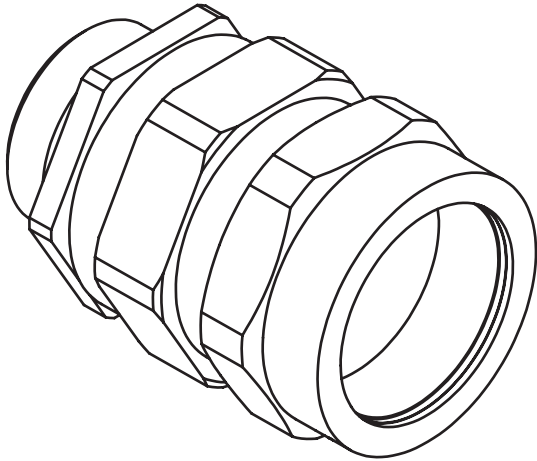


BCW Series

CW Type cable gland for armoured cable



Provides means for terminating steel wire armoured cables to a bulkhead or enclosure in industrial applications. Suitable for outdoor usage.

Features & Benefits:

- Excellent pull-out strength
- Robust metallic construction
- Quick and easy installation
- Provides grounding continuity

Applications:

- Construction and installation zones where armoured cables are specified
- Suitable for outdoor use

Material:

- Nickel plated brass cable gland
- PVC dust shroud
- Nickel plated brass locknut
- Nickel plated earth tag

Temperature range:

- Normal use -25 to +90°C (-13 to +194)°F

Conforms to:

- BS6121 Pt 1
- EN62444 for wire armoured cables

Ingress protection:

- IP65 - Without Shroud
- IP66 - With Shroud

Chemical resistance guide:

- Please refer to TDS000081

Compatible with cable types:

- SWA - Steel Wire Armoured
- AWA - Aluminium Wire Armoured

Kit Comprises

- Cable gland
- PVC shroud
- Locknut
- Earth tag

Product selection											
Part no:	Thread	Cable Size			A	B (ref)	C	W1	W2	W3	Kits per pack
		Inner Max	Outer Min	Outer Max							
BCW-M20S	M20x1.5	11.6	11.4	15.9	10	36.2	26.6	21.8	21.8	21.8	2
		(0.457)	(0.449)	(0.626)	(0.394)	(1.425)	(1.047)	(0.858)	(0.858)	(0.858)	
BCW-M20	M20x1.5	13.9	15	20.9	10	38.8	33.3	25.5	25.5	25.5	2
		(0.547)	(0.591)	(0.823)	(0.394)	(1.528)	(1.311)	(1.004)	(1.004)	(1.004)	
BCW-M25	M25x1.5	19.9	20.3	27.4	10	40.8	40.5	32.2	34.3	34.3	2
		(0.783)	(0.799)	(1.079)	(0.394)	(1.606)	(1.594)	(1.268)	(1.350)	(1.350)	
BCW-M32	M32x1.5	26.2	26	33.9	10	46.4	51	40.4	40.8	40.8	2
		(1.031)	(1.024)	(1.335)	(0.394)	(1.827)	(2.008)	(1.591)	(1.606)	(1.606)	
BCW-M40	M40x1.5	32.1	31	40.4	15	49.0	61	48.7	48.7	48.7	1
		(1.264)	(1.220)	(1.591)	(0.591)	(1.929)	(2.402)	(1.917)	(1.917)	(1.917)	
BCW-M50S	M50x1.5	38.1	36.5	46.7	15	54.3	66.5	56.0	56.8	56.8	1
		(1.500)	(1.437)	(1.839)	(0.591)	(2.138)	(2.618)	(2.205)	(2.236)	(2.236)	
BCW-M50	M50x1.5	44	43	53.1	15	54.8	77.7	61.4	62.4	62.4	1
		(1.732)	(1.693)	(2.091)	(0.591)	(2.157)	(3.059)	(2.417)	(2.457)	(2.457)	
BCW-M63S	M63x1.5	50	48.9	59.4	15	65.0	83.2	68.0	73.3	73.3	1
		(0.339)	(0.315)	(0.528)	(0.394)	(2.559)	(0.961)	(2.677)	(2.886)	(2.886)	
BCW-M63	M63x1.5	55.9	58	65.9	15	69.8	86.7	75.5	75.9	75.9	1
		(2.201)	(2.283)	(2.594)	(0.591)	(2.748)	(3.413)	(2.972)	(2.988)	(2.988)	
BCW-M75S	M75x1.5	61.9	60.6	72.1	15	66.0	101.6	85.6	86.4	86.4	1
		(2.437)	(2.386)	(2.839)	(0.591)	(2.598)	(4.000)	(3.37)	(3.402)	(3.402)	
BCW-M75	M75x1.5	67.9	64.9	78.5	15	68.4	111.1	89.8	90.6	90.6	1
		(2.673)	(2.555)	(3.091)	(0.591)	(2.693)	(4.374)	(3.535)	(3.567)	(3.567)	

