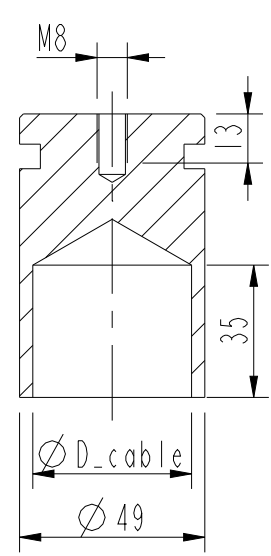
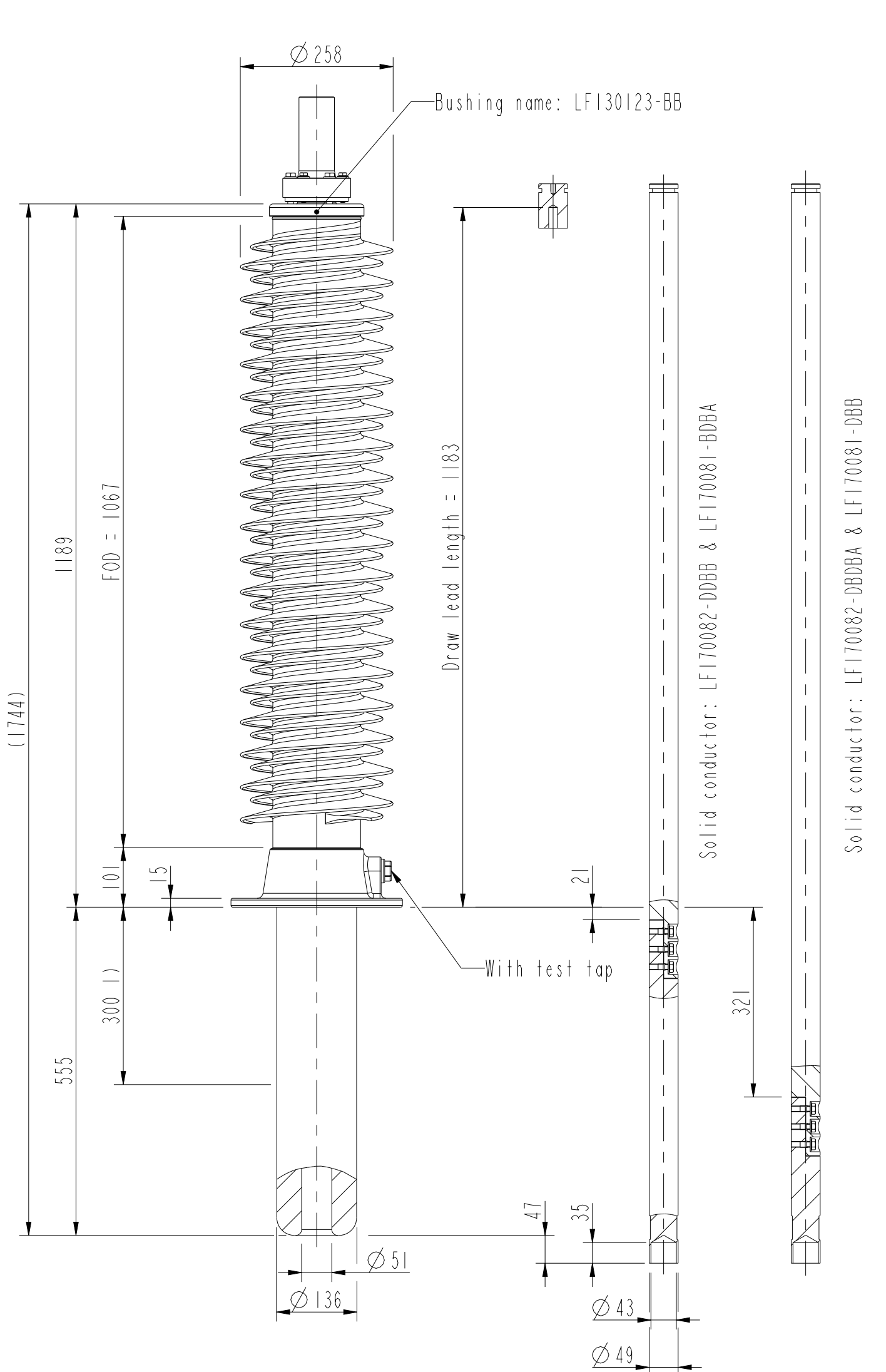
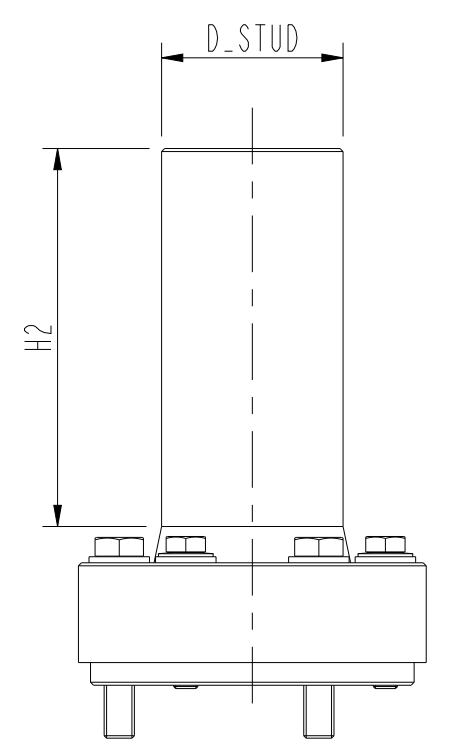


This document is issued by means of a computerized system. The digitally stored original is electronically approved. The approved document has a date entered in the "Approved"-field. A manual signature is not required.



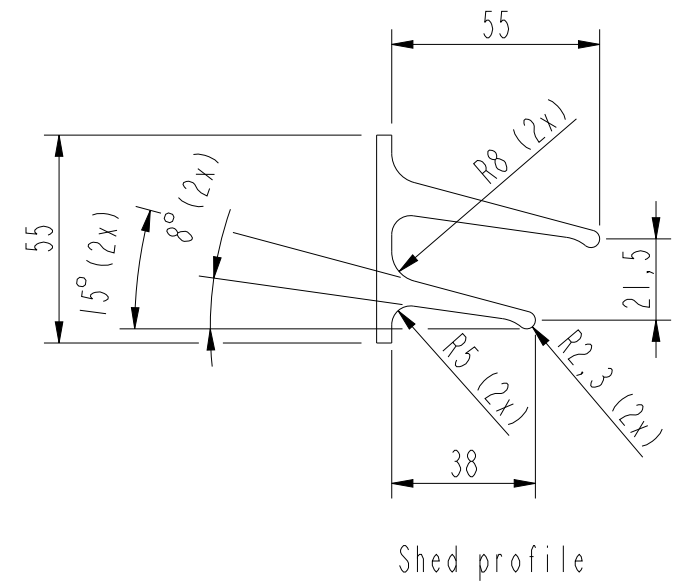
OUTER TERMINAL				
Catalogue No	MATR	MASS	H2	D_STUD
LF170079-A	Al	2,3	125	60
LF170079-B	Al	1,5	125	30
LF170079-C	Cu	6,1	125	60
LF170079-D	Cu	3,5	125	30
LF170079-E	Cu/Sn	6,1	125	60
LF170079-F	Cu/Sn	3,5	125	30
LF170079-G	Cu/Ag	6,1	125	60
LF170079-H	Cu/Ag	3,5	125	30
LF170079-M	Cu/Sn	4,1	125	38
LF170079-N	Cu/Sn	3,3	125	26
LF170079-AD	Cu/Ag	3,4	80	40



INNER TERMINAL	
Catalogue No	D_CABLE
LF170080-A	5
LF170080-B	11
LF170080-C	13
LF170080-D	15
LF170080-E	18
LF170080-F	30
LF170080-G	42
LF170080-H	45

SOLID CONDUCTOR	
Catalogue No	MASS
LF170081-DBB	26,8

SOLID CONDUCTOR	
Catalogue No	MASS
LF170082-DBDBA	3,2
LF170082-DDBB	8,3



ELECTRICAL DATA acc. to IEC 60137			
Ratings	Rated voltage	170	kV
	Rated phase-to-earth voltage	98	kV
	Max. phase to earth voltage, temporary	170	kV
	Max. current with Cu-conductor	1600	A
	Max. current with stranded cable 740 mm ²	1250	A
	Dry lightning impulse	550	kV
	Wet power frequency	230	kV
Routine test	Dry power frequency	260	kV
Capacitance	Nominal capacitance	319	pF

GENERAL DATA			
Silicone rubber insulator	Creepage distance	3913	mm
	Protected creepage distance	1700	mm
	Color	Light grey	ANSI 70
Mass	Bushing	46	kg
Cantilever load	Cantilever test load, according to IEC 60137	4000	N
	Max. cantilever operating load, bushing	2000	N
Temp. class	According to IEC 60137	Class	3
Mounting and service instructions		2750515-115	

ELECTRICAL DATA acc. to ANSI C57.19.00			
Ratings	Insulation class	115	kV
	Rated max. line to ground voltage	88	kV
	Max. current with Cu-conductor	1600	A
	Max. current with stranded cable 740 mm ²	1250	A
Dim. requirements acc. to C57.19.1 not fulfilled			

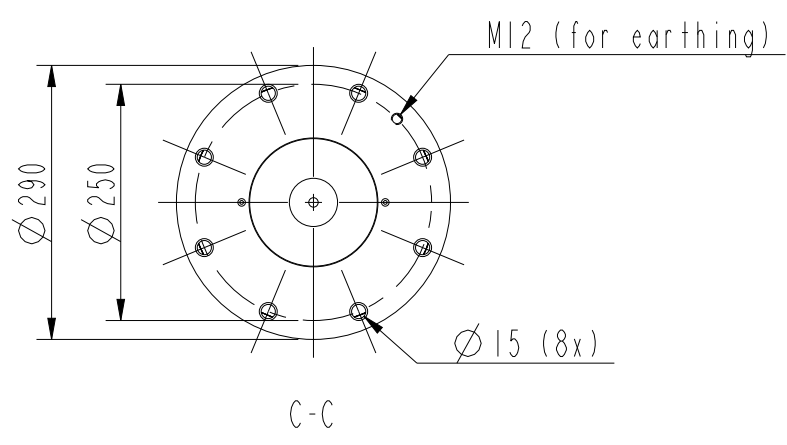
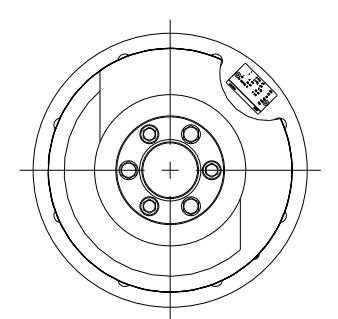


ABB Ludvika, Sweden

GSA 123-OA 1600/0.3 LF130123-BB
No.

Um 170 kV Ir1600 A 50/60 Hz

BIL 550 kV SIL - kV AC 260 kV

M 46 kg L 555 mm \sphericalangle 0-90°

C1 pF Tan δ x

C2 pF Tan δ x

Approved 2017-09-19	Document Kind Outline Drawing	Based on doc.id	Work order id	Project id
Company ABB Technology Ltd	Title, Supplementary title Dimension drawing GSA 123-OA 1600/0.3			
Responsible Department SEABB-9AAE300824	Måttskiss GSA 123-OA 1600/0.3			
ABB	Document id 2751362-DBB	Status Released	Revision H	Iteration 1/1

1) Maximum space for CT