

Types SCN and SCN-D Indoor current transformers

Product features

- 600 volt, indoor, 10 kV BIL
- 25 - 400 Hertz
- Primary amperes: 200 - 3000
- Mechanical rating: 180 x rated current
- Thermal rating: refer to selection guide
- Continuous current rating factor: refer to selection guide

Application

The SCN and SCN-D current transformers are used as the source of current for relaying and metering.

Construction features

The ring-type core is insulated and toroidally wound with a fully distributed secondary winding. The protective case, made of an impact-resistant polycarbonate, is ultrasonically sealed.

Secondary terminals

Secondary terminals are 10-32 brass terminal studs with hardware.

Curves

Saturation, overcurrent, ratio correction factor, and phase-angle curves are available upon request.

Test reports

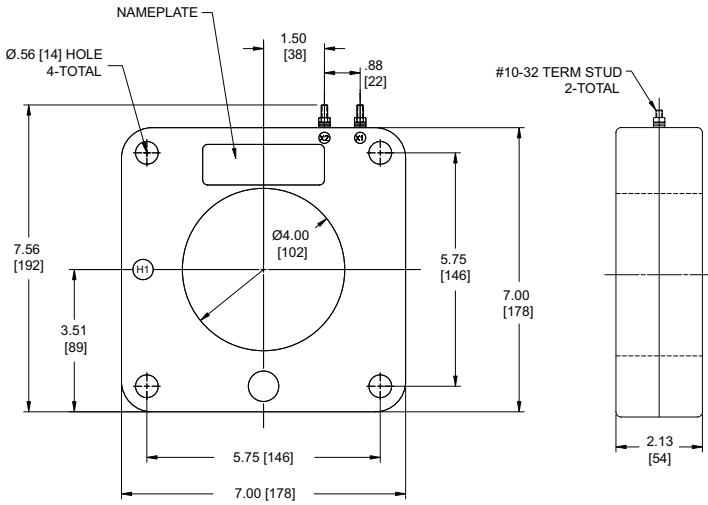
IEEE test reports are stored electronically and can be e-mailed in various formats at the time of shipment.

Standards

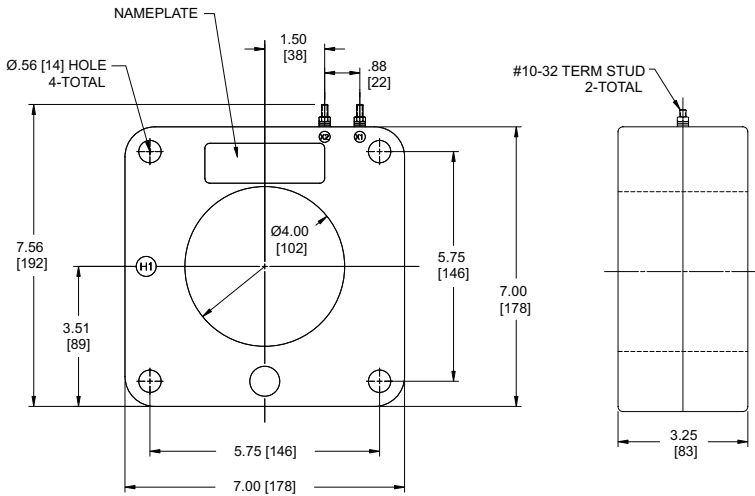
These units meet all applicable IEEE and NEMA standards.



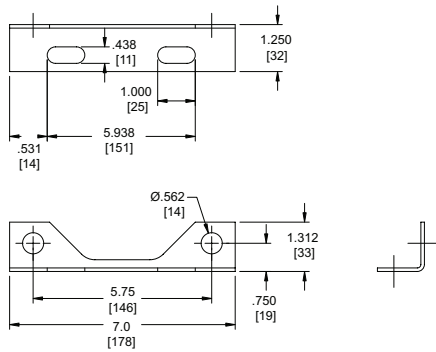
Unit dimensions



Type SCN (approximately 9 lbs.)



Type SCN-D (approximately 12.5 lbs.)



Optional mounting feet

Selection guide

Primary ampere rating	Continuous current rating		IEEE metering accuracy					IEEE relaying accuracy	Thermal rating*	Style number
	30° C	55° C	B-0.1	B-0.2	B-0.5	B-0.9	B-1.8			
Type SCN										
200	2.0	1.5	1.2	1.2	2.4	-	-	C10	100	7526A79G01
300	2.0	1.5	0.6	0.6	1.2	2.4	-	C10	100	7526A79G02
400	2.0	1.5	0.3	0.3	0.6	1.2	2.4	C20	100	7526A79G03
600	2.0	1.5	0.3	0.3	0.3	0.6	1.2	C20	100	7526A79G04
800	1.5	1.0	0.3	0.3	0.3	0.6	1.2	C20	80	7526A79G05
1000	1.33	1.0	0.3	0.3	0.3	0.3	0.6	C50	60	7526A79G06
1200	1.33	1.0	0.3	0.3	0.3	0.3	0.6	C50	60	7526A79G07
1500	1.33	1.0	0.3	0.3	0.3	0.3	0.6	C50	60	7526A79G08
2000	1.33	1.0	0.3	0.3	0.3	0.3	0.3	C50	60	7526A79G09
2500	1.33	1.0	0.3	0.3	0.3	0.3	0.3	C50	60	7526A79G10
3000	1.33	1.0	0.3	0.3	0.3	0.3	0.3	C50	60	7526A79G11
Type SCN-D										
200	2.0	1.5	1.2	1.2	2.4	-	-	C20	100	7526A80G01
300	2.0	1.5	0.6	0.6	1.2	-	-	C20	100	7526A80G02
400	2.0	1.5	0.3	0.3	0.6	1.2	2.4	C50	100	7526A80G03
600	2.0	1.5	0.3	0.3	0.3	0.6	0.6	C50	100	7526A80G04
800	1.5	1.0	0.3	0.3	0.3	0.6	0.6	C50	80	7526A80G05
1000	1.33	1.0	0.3	0.3	0.3	0.3	0.6	C50	60	7526A80G06
1200	1.33	1.0	0.3	0.3	0.3	0.3	0.6	C100	60	7526A80G07
1500	1.33	1.0	0.3	0.3	0.3	0.3	0.3	C100	60	7526A80G08
2000	1.33	1.0	0.3	0.3	0.3	0.3	0.3	C100	60	7526A80G09
2500	1.33	1.0	0.3	0.3	0.3	0.3	0.3	C100	60	7526A80G10
3000	1.33	1.0	0.3	0.3	0.3	0.3	0.3	C100	60	7526A80G11

Additional styles available upon request. Contact your ABB sales representative or call +1-252-827-3212 for more information.

* times rated current, one second

Mounting feet for SCN: 9625A65G01

Mounting feet for SCN-D: 9625A65G02

For more information please contact:

**ABB Inc.
Medium Voltage Apparatus**

3022 NC 43 North
Pinetops, NC 27864
USA

Phone: +1 252 827 3212

Fax: +1 252 827 4286

www.abb.com/mediumvoltage

Note:

The information contained in this document is for general information purposes only. While ABB strives to keep the information up to date and correct, it makes no representations or warranties of any kind, express or implied, about the completeness, accuracy, reliability, suitability or availability with respect to the information, products, services, or related graphics contained in the document for any purpose. Any reliance placed on such information is therefore strictly at your own risk. ABB reserves the right to discontinue any product or service at any time.

Copyright 2004 ABB.

All rights reserved.