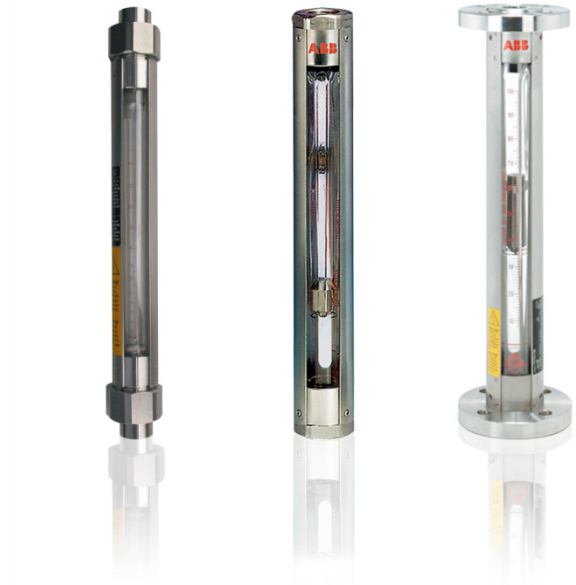


# FGM1190 Glass Tube Variable Area Flowmeters

Series D10A1187 / 95 / 97 / 98

Measurement made easy



# 1 Safety instructions for repair work

ABB flowmeters are designed to be easy to repair thanks to uniform replacement parts and simple replacement of predefined parts.

However, if repair work is not carried out in accordance with the guidelines, this may result in malfunctioning of the device, causing serious injury to persons, and harm to the environment. This is especially true for safety-critical devices and those certified for use in explosion hazard environments.

Certifications will also lapse if the repairs were not carried out with the proper tool or by persons without adequate training. We therefore recommend all repair work on flowmeters be carried out by ABB service technicians.

As the manufacturer of the device, ABB cannot guarantee the necessary quality of the repair procedures if the work and/or parts exchange was not carried out by ABB.

The plant operator is responsible for all repairs carried out by the customer, plant operator, or third party. In this case, ABB will reject all responsibility for any improper device functionality, in particular all safety-related functions.

ABB does not assume any liability for the deterioration or loss of device performance, malfunctions, or damage arising from the above repair work or replacement. All liability for defects shall lapse when the replacement or repair work is not carried out by ABB.

If you are unsure about the repair process even if some or all replacement parts are available, please get in touch with ABB Service before beginning work.

Respect national and internal laws when carrying out repairs. In particular laws relating to certified flowmeters used in explosion hazard environments. Repair work which is carried out without following the legal requirements can result in the revocation of your operating permit.

For more information, go to <http://new.abb.com/service/repairs> or contact your local ABB Customer Service Center.

# 2 Name plate specifications for spare parts orders

The flowmeter version can be identified by referring to the name plate that is attached to the housing. When placing spare parts orders, always remember to state the order number as shown on the name plate.

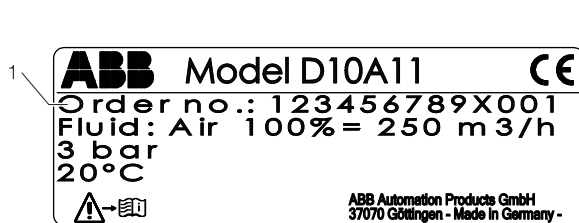
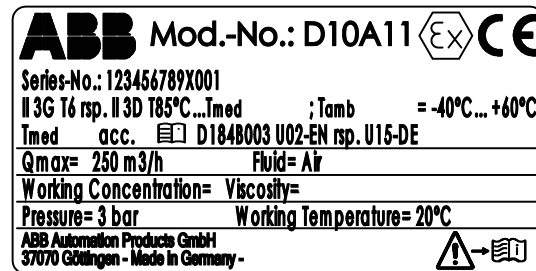


Fig. 1: Name Plate  
1 Order number



### 3 Overview

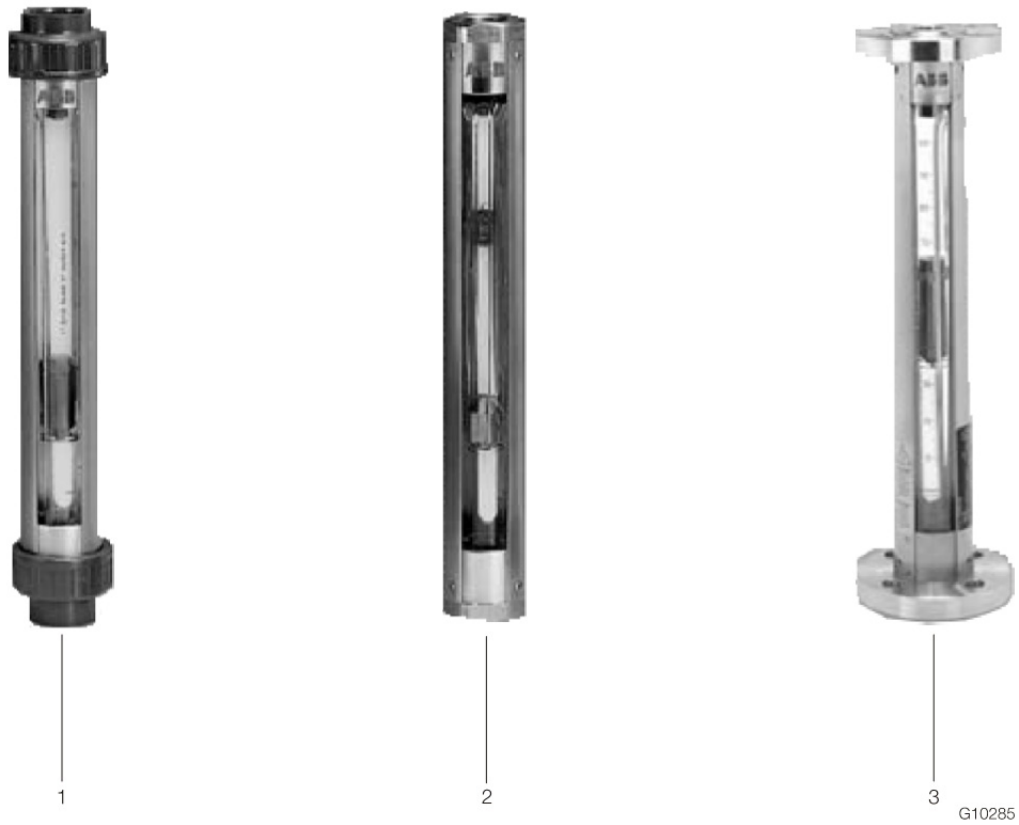


Fig. 2: Overview

- 1 V-cone flowmeter 10A1187 with threaded pipe connections | 2 V-cone flowmeter 10A1197 |
- 3 V-cone flowmeter 10A1198 flange connection

---

#### **i** NOTICE

All prices on inquiry!

---

3.1 Flowmeter 10A61

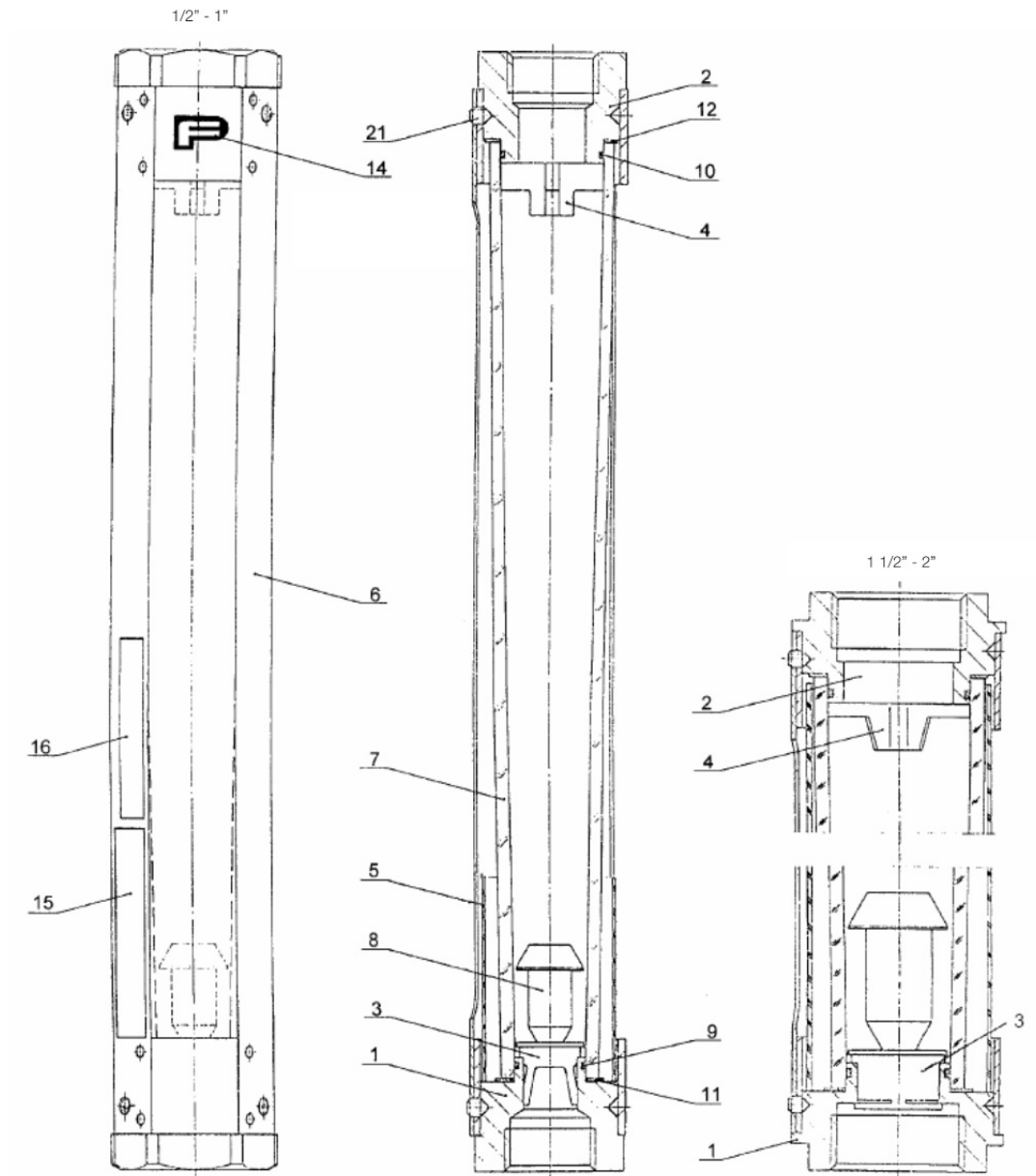


Fig. 3: Model 10A1187/10A1190 (without guide rod)

G10281-01

## Model 10A1187 / 10A1190 1/2"

Position	Name of part	Variant	Order number	Weight kg (lb)	Price (€)
3	float stop inlet 1/2"	-	2D304A0141U01	-	
4	float stop outlet 1/2"	-	D304B020U01	-	
5	Protection shield 1/2"	-	D351B009U01	-	
6	Tube 1/2"	-	D609A818U02	-	
7	Metering tube 1/2"	-	-	-	
8	Float	-	-	-	
15	Company tag 1/2"	-	1D338B1008	-	
	Set 1/2" includes items 9 ... 12:	-	-	-	
		Buna	D614L992U01	-	
		Viton	D614L992U02	-	
		EPDM	D614L992U03	-	

### **i** NOTICE

Items 7 and 8 upon request only with serial number.

## Model 10A1187 / 10A1190 3/4"

Position	Name of part	Variant	Order number	Weight kg (lb)	Price (€)
3	float stop inlet 3/4"	-	2D304A0142U01	-	
4	float stop outlet 3/4"	-	D304B022U01	-	
5	Protection shield 3/4"	Polycarbonat	D351B010U01	-	
6	Tube 3/4"	1.4301	D609A818U03	-	
7	Metering tube 3/4"	-	-	-	
8	Float	-	-	-	
15	Company tag 3/4"	-	1D338B1008	-	
	Set 3/4" includes items 9 ... 12:	-	-	-	
		Buna	D614L992U04	-	
		Viton	D614L992U05	-	
		EPDM	D614L992U06	-	

### **i** NOTICE

Items 7 and 8 upon request only with serial number.

## Model 10A1187 / 10A1190 1"

Position	Name of part	Variant	Order number	Weight kg (lb)	Price (€)
3	float stop inlet 1"	-	2D304A0143U01	-	
4	float stop outlet 1"	-	D304B021U01	-	
5	Protection shield 1"	-	D351B011U01	-	
6	Tube 1"	1.4301	D609A818U04	-	
7	Metering tube 1"	-	-	-	
8	Float	-	-	-	
15	Company tag 1"	-	1D338B1008	-	
	Set 1" includes items 9 ... 12:	-	-	-	
		Buna	D614L992U07	-	
		Viton	D614L992U08	-	
		EPDM	D614L992U09	-	

### **i** NOTICE

Items 7 and 8 upon request only with serial number.

## Model 10A1187 / 10A1190 1 1/2"

Position	Name of part	Variant	Order number	Weight kg (lb)	Price (€)
3	float stop inlet 1 1/2"	-	1D304A1001U01	-	
4	float stop outlet 1 1/2"	-	2D604A0198U01	-	
5	Protection shield 1 1/2"	-	D362A016U01	-	
6	Tube 1 1/2"	1.4301	D609A818U05	-	
7	Metering tube 1 1/2"	-	-	-	
8	Float	-	-	-	
15	Company tag 1 1/2"	-	1D338B1008	-	
	Set 1 1/2" includes items 9 ... 12:	-	-	-	
		Buna	D614L992U10	-	
		Viton	D614L992U11	-	
		EPDM	D614L992U12	-	

### **i** NOTICE

Items 7 and 8 upon request only with serial number.

## Model 10A1187 / 10A1190 2"

Position	Name of part	Variant	Order number	Weight kg (lb)	Price (€)
3	float stop inlet 2"	-	1D304A1002U01	-	
4	float stop outlet 2"	-	2D604A0199U01	-	
5	Protection shield 2"	-	D362A017U01	-	
6	Tube 2"	-	D609A818U06	-	
7	Metering tube 2"	-	-	-	
8	Float	-	-	-	
15	Company tag 2"	-	1D338B1008	-	
	Set 2" includes items 9 ... 12:	-	-	-	
		Buna	D614L992U13	-	
		Viton	D614L992U14	-	
		EPDM	D614L992U15	-	

### **i** NOTICE

Items 7 and 8 upon request only with serial number.

## Model 10A1187 / 10A1190 1/16", 1/8", 1/4"

Position	Name of part	Variant	Order number	Weight kg (lb)	Price (€)
3	Inlet 1/16"	-	1D304B1032U01	-	
	Inlet 1/8"	-	1D304B1023U01	-	
	Inlet 1/4"	-	1D304B1021U01	-	
4	Outlet 1/16	-	1D304B1001U01	-	
	Outlet 1/8"	-	1D304B1002U01	-	
	Outlet 1/4"	-	1D304B1004U01	-	
5	Protection shield	-	D351B028U01	-	
6	Tube	-	D609A818U01	-	
7	Metering tube	-	-	-	
8	Float	-	-	-	
15	Company tag 1/16" ; 1/8" ; 1/4"	-	1D338B1008	-	
	Set 1/16" includes items 9 ... 12:	-	-	-	
		Buna N	D614L992U22	-	
		Viton A	D614L992U23	-	
		EPDM	D614L992U24	-	
	Set 1/8" includes items 9 ... 12:	-	-	-	
		Buna N	D614L992U19	-	
		Viton A	D614L992U20	-	
		EPDM	D614L992U21	-	
	Set 1/4" includes items 9 ... 12:	-	-	-	
		Buna N	D614L992U16	-	
		Viton A	D614L992U17	-	
		EPDM	D614L992U18	-	

### **i** NOTICE

Items 7 and 8 upon request only with serial number.

# Contact us

To find your local ABB branch, go to:  
[www.abb.com/contacts](http://www.abb.com/contacts)

Additional product information is  
available at:  
[www.abb.com](http://www.abb.com)

**ABB Automation GmbH**  
Service Instrumentation  
Dransfelder Str. 2  
37079 Göttingen  
Germany

## Note

We reserve the right to make technical changes and changes affecting content to this document at any time without prior notice.

Orders are subject to the agreed detailed terms and conditions. ABB cannot be held responsible for any errors or omissions in this document.

We reserve all rights to this document and its content, including images. This document must not be copied, shared with third parties, or its content (in whole or in part) used without the prior written permission of ABB.

Copyright© 2016 ABB  
All rights reserved

3KXF100004R4701