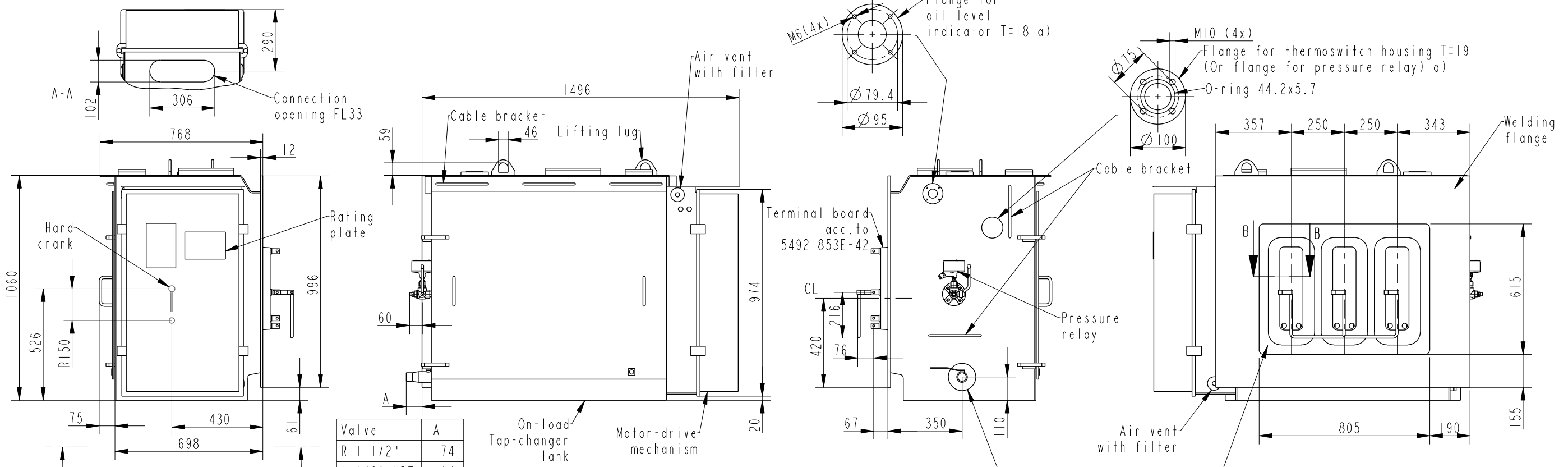
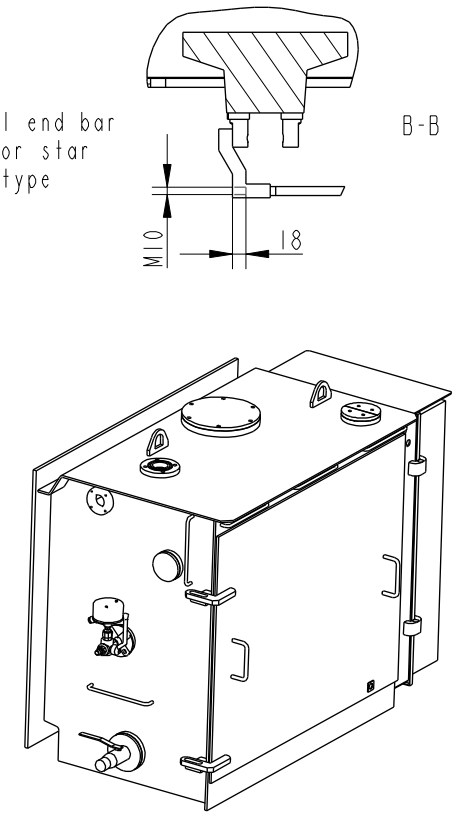
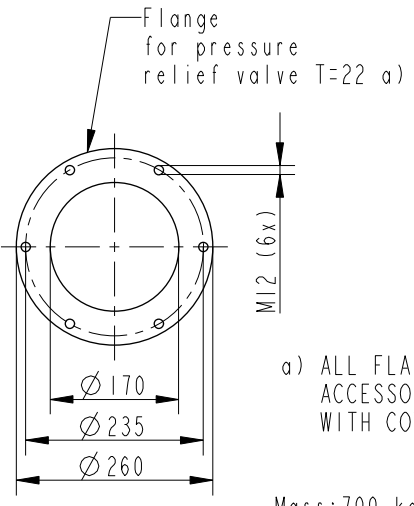
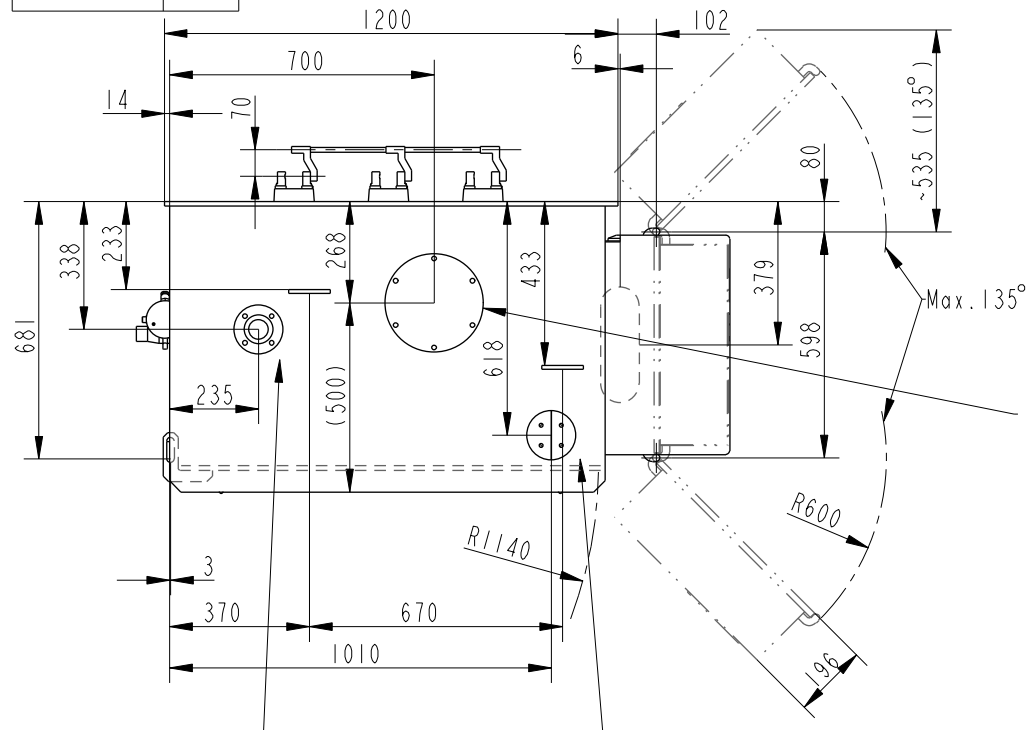
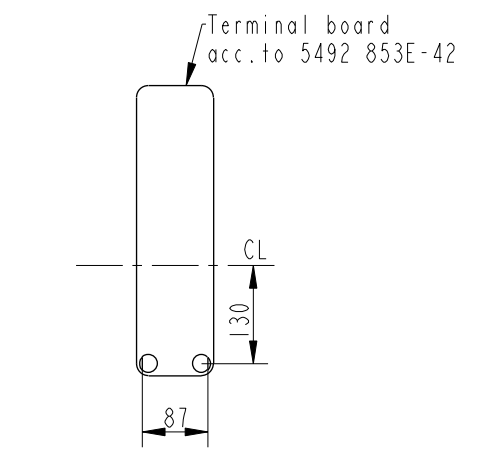


We reserve all rights in this document and in the information contained therein. Reproduction, use or disclosure to third parties without express authority is strictly forbidden.
©ABB



Valve	A
R 1 1/2"	74
1 1/2" NPT	64
1 1/2" NPT with test device	109



a) ALL FLANGES WITHOUT ACCESSORIES DELIVERED WITH COVER PLATES

Mass: 700 kg without oil
Required oil: 500 kg (580 litres)
Total mass: 1200 kg

ADDITIONAL DRAWINGS:
Connection Diagrams: See Technical Guide UZ
Accessories: 54920089-9 or -13
Pressure Relay: 54920083-2

Based on	Reg. No.	Title	
Prepared T Sapila 96-09-30	Responsible department COM/TK	TAP-CHANGER UZE	
Approved M Eriksson	Take over department	UZE.N, UZE.T 200, 250KV	
Revision Rev. 4 06-10-06	Database DIMENSION_DWGS	Standard tank. Welding flange	
ABB Components		Document No.	54920089-6