
 TECHNICAL DATA SHEET

ABB cable glands – NCGS series

Nylon, general purpose cable glands with strain relief



Nylon cable glands for general purpose usage, with added spiral strain relief to alleviate acute cable bending.

Certifications / Standards:

(Refer to tables for certifications details)



Features & Benefits:

- Low profile cable glands
- Wide cable clamping range
- Corrosion resistant

Applications:

- General Purpose
- Panel building
- Light fixture and housings
- Portable equipment and appliances
- Suitable for cable types:
 - Non-armoured
 - Portable
 - Tray

Material:

- Halogen free nylon construction
- Available in black, grey and light grey
- Chloroprene seals

Environmental ratings:
Working Temperature:

- Normal use: -20 to +100°C (-4 to +212°F)
- Short term: -30 to +150°C (-22 to +302°F)

Ingress protection:

To ensure ingress protection, use suitable gasket and locknut when required.

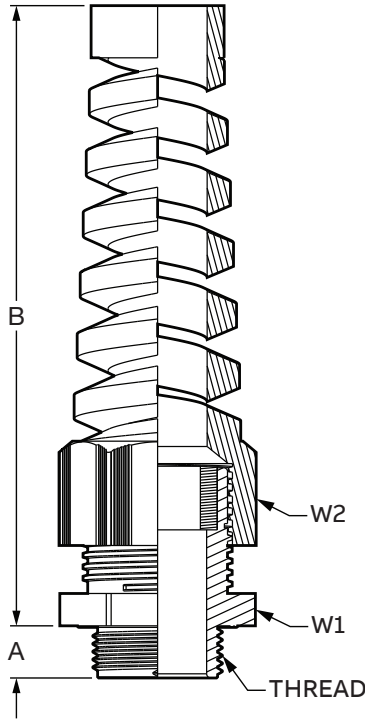
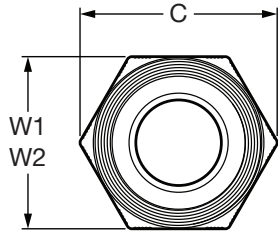
- IP66
- IP68 (5 bar 30 mins)

Chemical resistance guide:

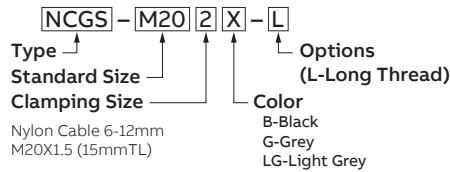
- See publication TDS000081

Conforms to:

- UL 514B
- EN 62444
- RoHS (Restriction of Hazardous Substances Directive) 2011/65/EU Incorporating 2015/863 amendment to Annex II
- WEEE (Waste Electrical & Electronic Equipment Directive) 2002/96/EC
- LVD (Low Voltage Directive) 2014/35/EU



Part number information:



Product selection

Part no:	Thread (metric)	Cable range			Nominal dimensions			
		Min	Max	A	B	C	W1	W2
NCGS-M121x	M12x1.5	2.0	5.0	8.0	47.5	16.9	15.0	15.0
		(0.079)	(0.197)	(0.315)	(1.87)	(0.665)	(0.591)	(0.591)
NCGS-M121x-L	M12x1.5	2.0	5.0	15.0	47.5	16.9	15.0	15.0
		(0.079)	(0.197)	(0.591)	(1.87)	(0.665)	(0.591)	(0.591)
NCGS-M122x (cURus)	M12x1.5	3.0	6.5	8.0	47.5	16.9	15.0	15.0
		(0.118)	(0.256)	(0.315)	(1.87)	(0.665)	(0.591)	(0.591)
NCGS-M122x-L	M12x1.5	3.0	6.5	15.0	47.5	16.9	15.0	15.0
		(0.118)	(0.256)	(0.591)	(1.87)	(0.665)	(0.591)	(0.591)
NCGS-M161x	M16x1.5	3.0	7.0	10.0	81.5	25.0	22.0	22.0
		(0.118)	(0.276)	(0.394)	(3.209)	(0.984)	(0.866)	(0.866)
NCGS-M161x-L	M16x1.5	3.0	7.0	15.0	81.5	25.0	22.0	22.0
		(0.118)	(0.276)	(0.591)	(3.209)	(0.984)	(0.866)	(0.866)
NCGS-M162x (cURus)	M16x1.5	5.0	10.0	10.0	81.5	25.0	22.0	22.0
		(0.197)	(0.394)	(0.394)	(3.209)	(0.984)	(0.866)	(0.866)
NCGS-M162x-L	M16x1.5	5.0	10.0	15.0	81.5	25.0	22.0	22.0
		(0.197)	(0.394)	(0.591)	(3.209)	(0.984)	(0.866)	(0.866)
NCGS-M201x	M20x1.5	5.0	9.0	10.0	94.0	27.0	24.0	24.0
		(0.197)	(0.354)	(0.394)	(3.701)	(1.063)	(0.945)	(0.945)
NCGS-M201x-L	M20x1.5	5.0	9.0	15.0	94.0	27.0	24.0	24.0
		(0.197)	(0.354)	(0.591)	(3.701)	(1.063)	(0.945)	(0.945)
NCGS-M202x (cULus)	M20x1.5	6.0	12.0	10.0	94.0	27.0	24.0	24.0
		(0.236)	(0.472)	(0.394)	(3.701)	(1.063)	(0.945)	(0.945)
NCGS-M202x-L	M20x1.5	6.0	12.0	15.0	94.0	27.0	24.0	24.0
		(0.236)	(0.472)	(0.591)	(3.701)	(1.063)	(0.945)	(0.945)
NCGS-M203x (cULus)	M20x1.5	10.0	14.0	10.0	106.0	31.0	27.0	27.0
		(0.394)	(0.551)	(0.394)	(4.173)	(1.22)	(1.063)	(1.063)
NCGS-M203x-L	M20x1.5	10.0	14.0	15.0	106.0	31.0	27.0	27.0
		(0.394)	(0.551)	(0.591)	(4.173)	(1.22)	(1.063)	(1.063)
NCGS-M251x	M25x1.5	9.0	16.0	10.0	117.5	38.0	33.0	33.0
		(0.354)	(0.63)	(0.394)	(4.626)	(1.496)	(1.299)	(1.299)
NCGS-M251x-L	M25x1.5	9.0	16.0	15.0	117.5	38.0	33.0	33.0
		(0.354)	(0.63)	(0.591)	(4.626)	(1.496)	(1.299)	(1.299)
NCGS-M252x (cULus)	M25x1.5	13.0	18.0	10.0	117.5	38.0	33.0	33.0
		(0.512)	(0.709)	(0.394)	(4.626)	(1.496)	(1.299)	(1.299)
NCGS-M252x-L	M25x1.5	13.0	18.0	15.0	117.5	38.0	33.0	33.0
		(0.512)	(0.709)	(0.591)	(4.626)	(1.496)	(1.299)	(1.299)

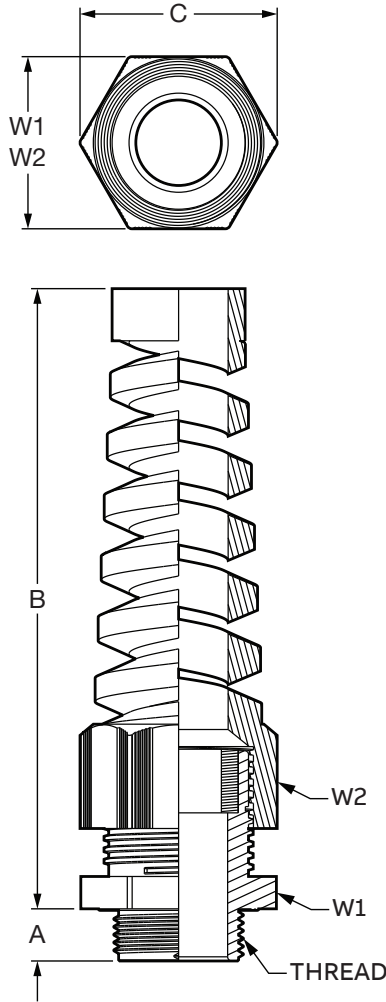
Replace the "x" of the catalog number by one of the following:

B = Black (RAL 9005), G = Grey (RAL 7001), LG = Light Grey (RAL 7035)

Other colors available on request.

Bold numbers are metric, parenthesis numbers are inches.

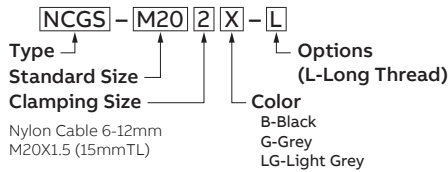
Note: Product must be installed in accordance with applicable national and local electrical codes.



Product selection								
Part no:	Thread (NPT)	Cable range			Nominal dimensions			
		Min	Max	A	B	C	W1	W2
NCGS-0381x	3/8"	3.0	7.0	15.0	81.5	25.0	22.0	22.0
		(0.118)	(0.276)	(0.591)	(3.209)	(0.984)	(0.866)	(0.866)
NCGS-0382x (cURus)	3/8"	5.0	10.0	15.0	81.5	25.0	22.0	22.0
		(0.197)	(0.394)	(0.591)	(3.209)	(0.984)	(0.866)	(0.866)
NCGS-0501x	1/2"	5.0	9.0	15.0	93.0	27.0	24.0	24.0
		(0.197)	(0.354)	(0.591)	(3.661)	(1.063)	(0.945)	(0.945)
NCGS-0502x (cULus)	1/2"	6.0	12.0	15.0	93.0	27.0	24.0	24.0
		(0.236)	(0.472)	(0.591)	(3.661)	(1.063)	(0.945)	(0.945)
NCGS-0503x (cULus)	1/2"	10.0	14.0	15.0	106.0	31.0	27.0	27.0
		(0.394)	(0.551)	(0.591)	(4.173)	(1.22)	(1.063)	(1.063)
NCGS-0504x	1/2"	9.0	16.0	15.0	117.5	38.0	33.0	33.0
		(0.354)	(0.63)	(0.591)	(4.626)	(1.496)	(1.299)	(1.299)
NCGS-0505x	1/2"	13.0	18.0	15.0	117.5	38.0	33.0	33.0
		(0.512)	(0.709)	(0.591)	(4.626)	(1.496)	(1.299)	(1.299)
NCGS-0751x	3/4"	9.0	16.0	15.0	117.5	38.0	33.0	33.0
		(0.354)	(0.63)	(0.591)	(4.626)	(1.496)	(1.299)	(1.299)
NCGS-0752x (cULus)	3/4"	13.0	18.0	15.0	117.5	38.0	33.0	33.0
		(0.512)	(0.709)	(0.591)	(4.626)	(1.496)	(1.299)	(1.299)

Product selection								
Part no:	Thread (PG)	Cable range			Nominal dimensions			
		Min	Max	A	B	C	W1	W2
NCGS-PG71x (cURus)	PG7	3.0	6.5	8.0	57.0	16.9	15.0	15.0
		(0.118)	(0.256)	(0.315)	(2.244)	(0.665)	(0.591)	(0.591)
NCGS-PG91x (cURus)	PG9	4.0	8.0	8.0	69.5	21.8	19.0	19.0
		(0.157)	(0.315)	(0.315)	(2.736)	(0.858)	(0.748)	(0.748)
NCGS-PG112x (cURus)	PG11	5.0	10.0	8.0	81.5	25.0	22.0	22.0
		(0.197)	(0.394)	(0.315)	(3.209)	(0.984)	(0.866)	(0.866)
NCGS-PG131x (cULus)	PG13.5	6.0	12.0	10.0	93.0	27.0	24.0	24.0
		(0.236)	(0.472)	(0.394)	(3.661)	(1.063)	(0.945)	(0.945)
NCGS-PG161x (cULus)	PG16	10.0	14.0	10.0	106.0	31.0	27.0	27.0
		(0.394)	(0.551)	(0.394)	(4.173)	(1.22)	(1.063)	(1.063)
NCGS-PG211x (cULus)	PG21	13.0	18.0	11.0	117.9	38.0	33.0	33.0
		(0.512)	(0.709)	(0.433)	(4.641)	(1.496)	(1.299)	(1.299)

Part number information:



Replace the "x" of the catalog number by one of the following:
 B = Black (RAL 9005), G = Grey (RAL 7001), LG = Light Grey (RAL 7035)
 Other colors available on request.
 Bold numbers are metric, parenthesis numbers are inches.
 Note: Product must be installed in accordance with applicable national and local electrical codes.

ABB Inc.
 Electrification Products
 Memphis, Tennessee
 USA

We reserve the right to make technical changes or modify the contents of this document without prior notice. With regard to purchase orders, the agreed particulars shall prevail. ABB Inc. does not accept any responsibility whatsoever for potential errors or possible lack of information in this document.

We reserve all rights in this document and in the subject matter and illustrations contained therein. Any reproduction, disclosure to third parties or utilization of its contents – in whole or in parts – is forbidden without prior written consent of ABB Inc. Copyright© 2017 ABB Inc. All rights reserved.

