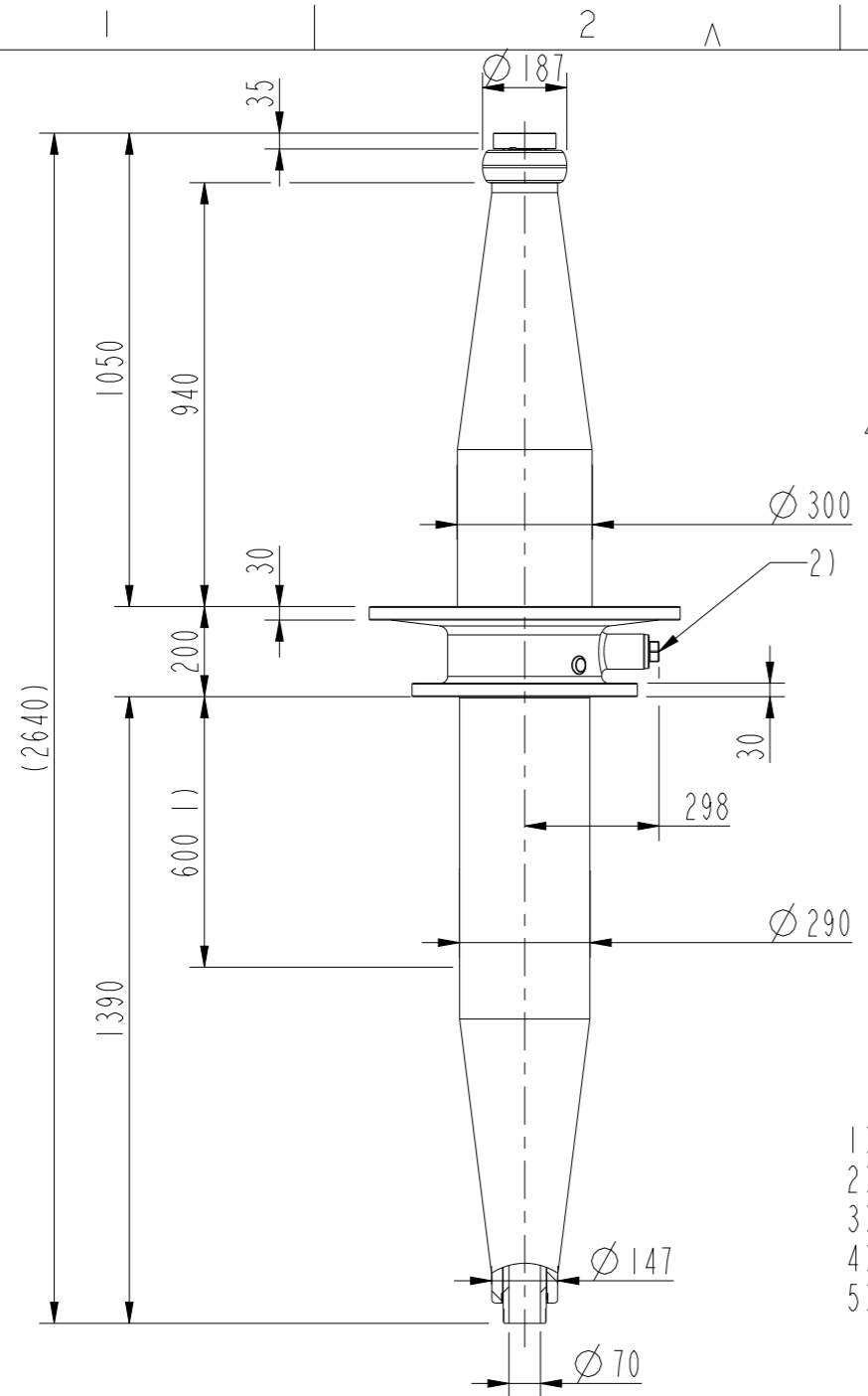


This document is issued by means of a computerized system. The digitally stored original is electronically approved. The approved document has a date entered in the "Approved"-field. A manual signature is not required.

The information contained in this document has to be kept strictly confidential. Any unauthorized use, reproduction, distribution or disclosure to third parties are strictly forbidden. ABB reserves all rights regarding Intellectual Property Rights. © Copyright 2013 ABB. All rights reserved.

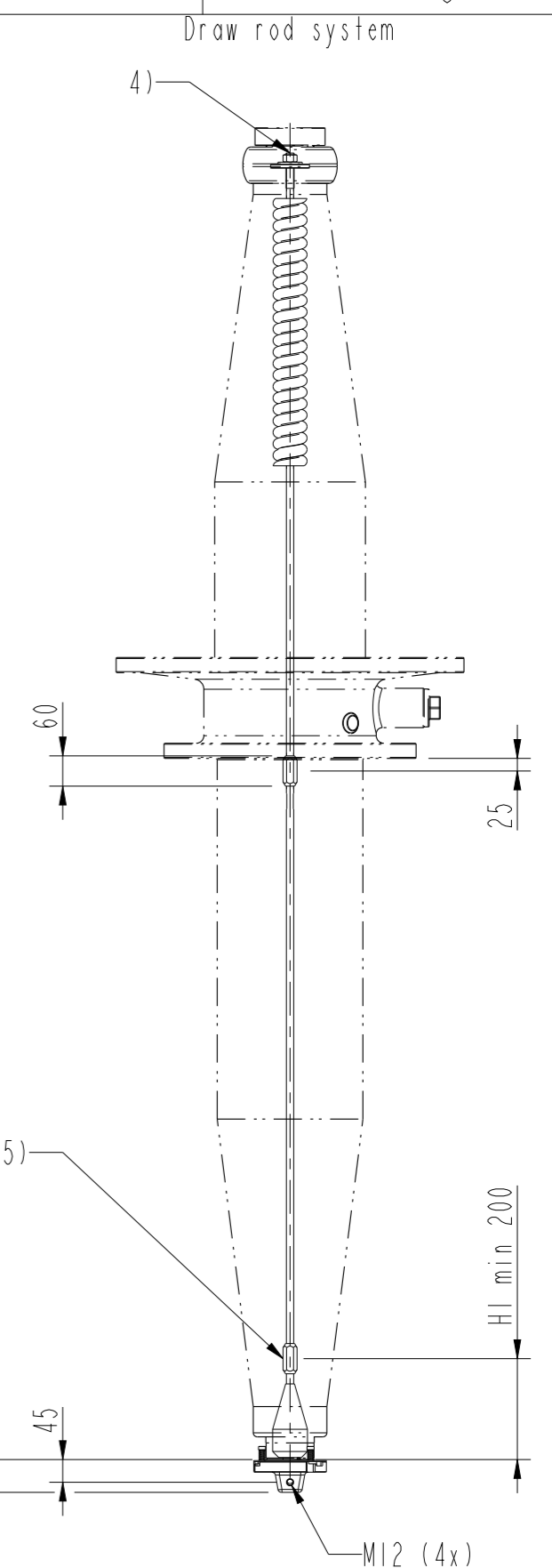
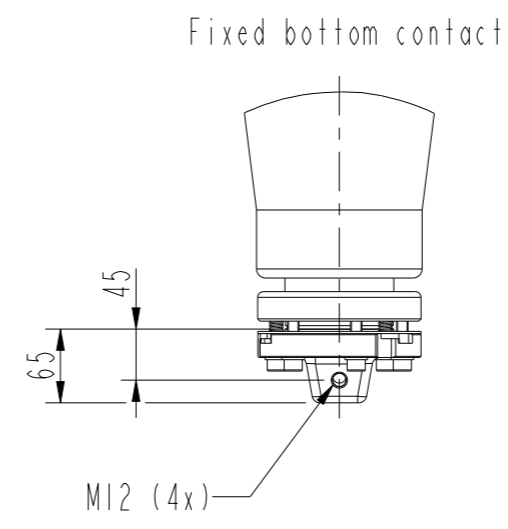
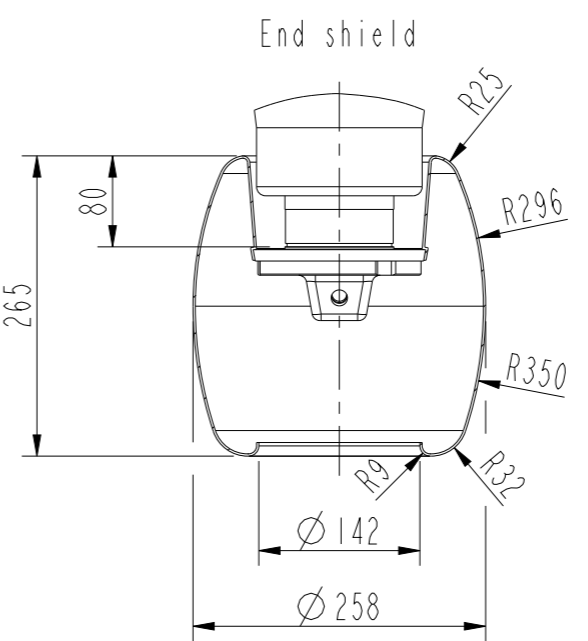
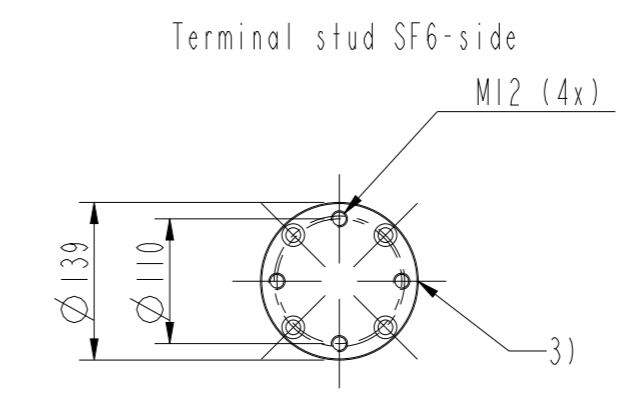
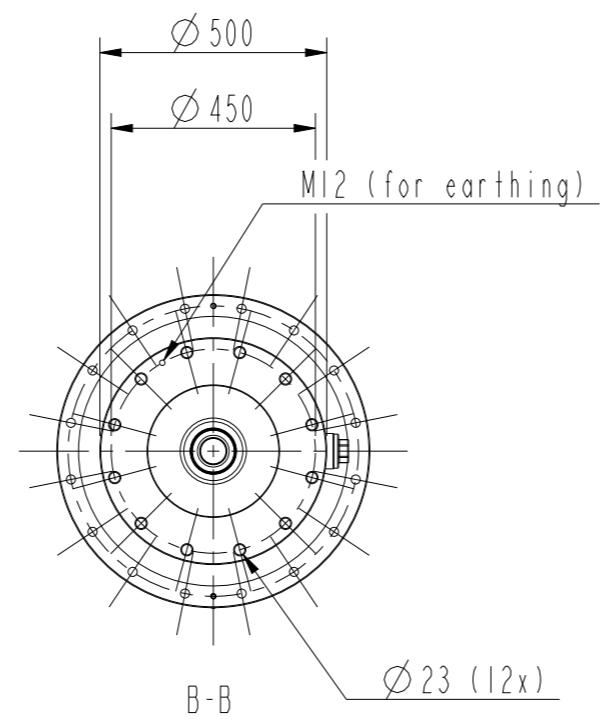
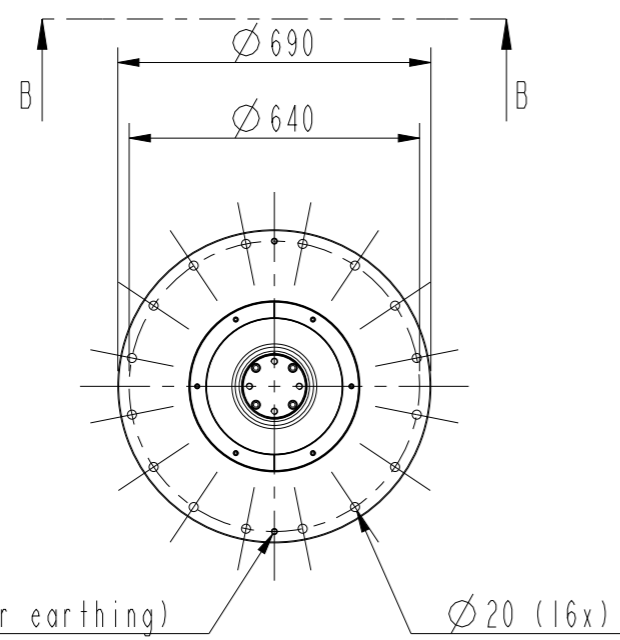


Bushing data:	
Rated voltage	420 kV
Phase-to-earth voltage	242 kV
Lightning impulse	1550 kV
Switching impulse	1175 kV
Routine test, 1 min 50 Hz	695 kV
Rated current	1600/2500 A
Mass	224/278 kg

Ordering data:			
Bushing		Conductor tube	Rated current
IZSC900420-AAB	Test tap	Al	1600 A
IZSC900420-ABB	Voltage tap 6 kV	Al	1600 A
IZSC900420-ACB	Test tap	Cu	2500 A
IZSC900420-ADB	Voltage tap 6 kV	Cu	2500 A

Draw rod system	
IZSC999004	
Fixed bottom contact	
IZSC999002-AAE	
End shield	
IZSC999003-AEA	Epoxy insulated
IZSC999003-AEB	Pressboard insulated

- 1) Maximum length of CT.
- 2) Test tap / Voltage tap
- 3) Test tap / Voltage tap position.
- 4) Threaded hole M8 for pulling wire.
- 5) Additional joints on request.



Prepared Leif Roosgårdh 2017-06-09	Responsible department PGCO/BK	Title Bushing GSBK 420/0.6 Genomföring GSBK 420/0.6	Language 82
Modified by Leif Roosgårdh 2017-06-09	Take over department		
Approved by Johan X Eriksson 2017-06-09	Used in product	Order	Sheet no. 1
Revision F Mass updated.		Document no. 2753016-8	No. Shits. (1)

