

SAFETY PRODUCTS

# Sense 5Z Series

## Magnetic Non-Contact Safety Switch

### Data Sheet

Sense 5Z is a coded magnetic non-contact safety switch used for interlocking doors and hatches.

The switch is mounted on the frame and the actuator on the moving part of the guard.

Sense 5Z offers an interlocking function reaching PLe/SIL 3 with low level coding. It also has a stainless-steel housing that is designed for harsh environments and extreme temperatures, suitable for splash zones in accordance with EHEDG guidelines.



#### Easy to install

**Compact size**

Compact in size to make it easy to position and hide on gates and hatches.

**Large sensing distance**

With a large sensing distance and a high tolerance for misalignment makes it easy to install.



#### Continuous operation

**Easier Troubleshooting**

LED indication gives visual status of the switch reducing downtime.

**No wear, no mechanical breakage**

Non-contact sensing means no mechanical wear and the large sensing tolerance gives a better tolerance to vibrations, resulting in fewer unwanted process stops.



#### Optimum Interface

**Small Design**

Small footprint makes it easy to install in restricted space.

**Industry Footprint**

Standard industry footprint for smaller magnetic non-contact switches.

**Ordering Information**

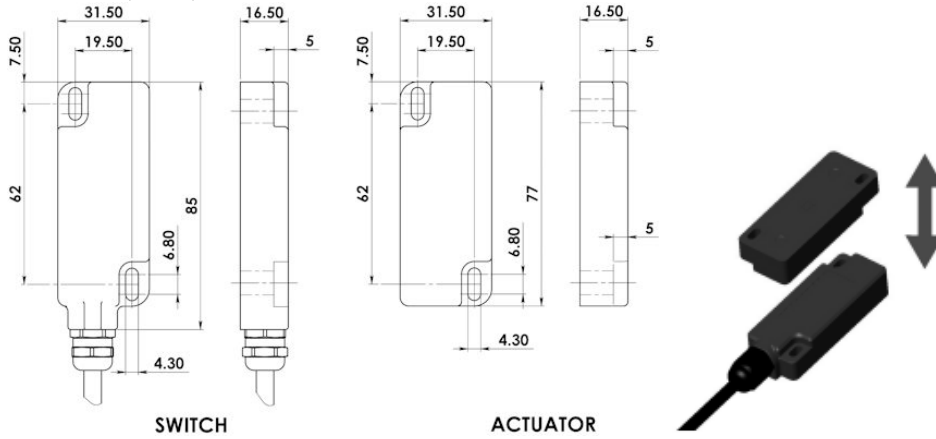
Description	Material Housing	Type	Order code
Sense 5Z, 2m cable, 2NC/1NO, LED	Stainless Steel	Sense 5Z	2TLA050054R4120
Sense 5Z, 5m cable, 2NC/1NO, LED	Stainless Steel	Sense 5Z	2TLA050054R5120
Sense 5Z, 10m cable, 2NC/1NO, LED	Stainless Steel	Sense 5Z	2TLA050054R6120
Sense 5Z, QC cable, 2NC/1NO, LED	Stainless Steel	Sense 5Z	2TLA050054R2120

Note: Quick connect M12 versions fitted with 250mm (10") cable

**Accessories**

Description	Material Housing	Order code
Sense 5Z Spare Actuator	Stainless Steel	2TLA050040R0210

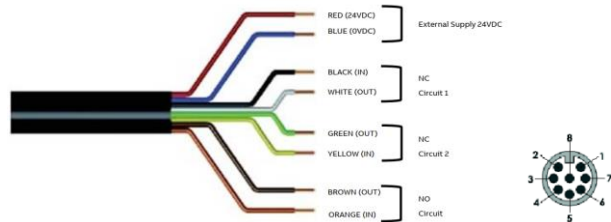
**Dimensions (in mm)**



**Wiring**

Quick Connect (QC) M12 8pin	Flying Lead Colors	Circuit (Actuator Present)	Output Types Solid State
2	Red	Supply 24VDC	Supply 24VDC +/- 10%
3	Blue	Supply 0VDC	
7	Black	Safety NC1 +ve	200mA Max. 24VDC
1	White	Safety NC1 -ve	200mA Max. 24VDC
4	Yellow	Safety NC2 +ve	
6	Green	Safety NC2 -ve	200mA Max. 24VDC
8	Orange	Auxiliary NO	
5	Brown	Auxiliary NO	

Note: The NC1 and NC2 Outputs are polarity sensitive.



**Technical Data**

<b>Manufacturer</b>	
Address	ABB Electrification Sweden AB SE-721 61 Västerås Sweden
<b>Electrical characteristics</b>	
Minimum switched current	10VDC 1mA
Dielectric withstand	250 VAC
Safety channel 1-NC	24VDC 0.2 A max. rating
Safety channel 2-NC	24VDC 0.2 A max. rating
Safety channel 3-NO	24VDC 0.2 A max. rating
Insulation resistance	100 MOhms
Power Consumption	25mA Max.
<b>General</b>	
Recommended setting gap	5 mm
Switching Distance (target to target)	S <sub>ao</sub> 10 mm close (ON) S <sub>ar</sub> 20 mm open (OFF)
Tolerance to misalignment	5 mm in any direction from 5 mm setting gap
Switching frequency	1.0 Hz maximum
Approach speed	200 mm/m to 1000 mm/s
Vibration resistance	IEC 68-2-6, 10-55 Hz 1 mm
Shock resistance	IEC 68-2-27, 11 ms, 30 g
Protection class	IP67, IP69K
Response Time (OFF)	60ms Maximum
Cable Type	PVC 8 core 6 mm O.D
Ambient temperature	-25 °C to +70 °C, +105 °C for short duration during CIP/SIP cleaning
Size	22.5mm(length) x 50mm(width) x 14mm (height)
Material	316 Grade Stainless Steel
Color	Silver
Mounting Position	Any
Mounting Bolts	2 x M4 Tightening torque 1.0Nm
<b>Safety-related characteristic data and Conformity</b>	
Conformity	European Machinery Directive 2006/42/EC EN ISO 12100:2010, EN ISO 14119:2013, EN ISO 13849-1:2015, EN 60947-5-3:2013
EN ISO 13849-1	Up to PLe Category 4 (if both channels are used with a PLe control device)
EN 62061	Up to SIL3 depending on system architecture
Coding Level according to EN ISO 14119	Low
<b>Safety data</b>	
PFH <sub>D</sub>	2.6 x 10 <sup>-10</sup> (1/h)
Proof test interval (life)	20 years
MTTF <sub>d</sub>	866 years
Certifications	TÜV, cULus
Information with regard to UL 508	Type 1 Enclosure Max. Temp: 70°C Maximum output 24V.dc 100mA. Powered by Class 2 or equivalent.

ABB Inc.  
305 Gregson Drive  
Cary, North Carolina 27511  
United States  
electrification.us.abb.com/  
products/machine-motor-control

We reserve the right to make technical changes or modify the contents of this document without prior notice. With regard to purchase orders, the agreed particulars shall prevail. ABB AG does not accept any responsibility whatsoever for potential errors or possible lack of information in this document.

We reserve all rights in this document and in the subject matter and illustrations contained therein. Any reproduction, disclosure to third parties or utilization of its contents – in whole or in parts – is forbidden without prior written consent of ABB AG.  
Copyright© 2022 ABB  
All rights reserved