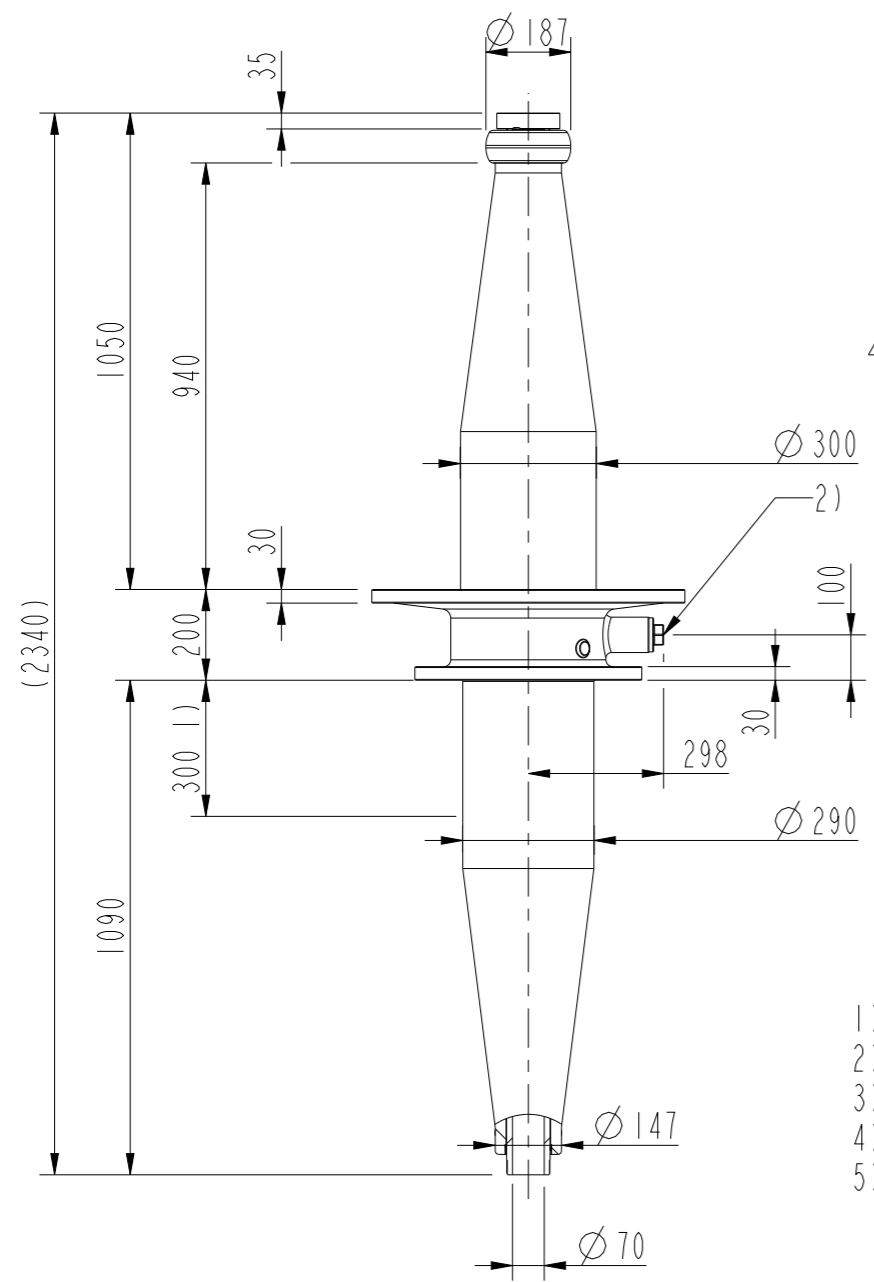


This document is issued by means of a computerized system. The digitally stored original is electronically approved. The approved document has a date entered in the "Approved"-field. A manual signature is not required.

The information contained in this document has to be kept strictly confidential. Any unauthorized use, reproduction, distribution or disclosure to third parties are strictly forbidden. ABB reserves all rights regarding Intellectual Property Rights. © Copyright 2013 ABB. All rights reserved.

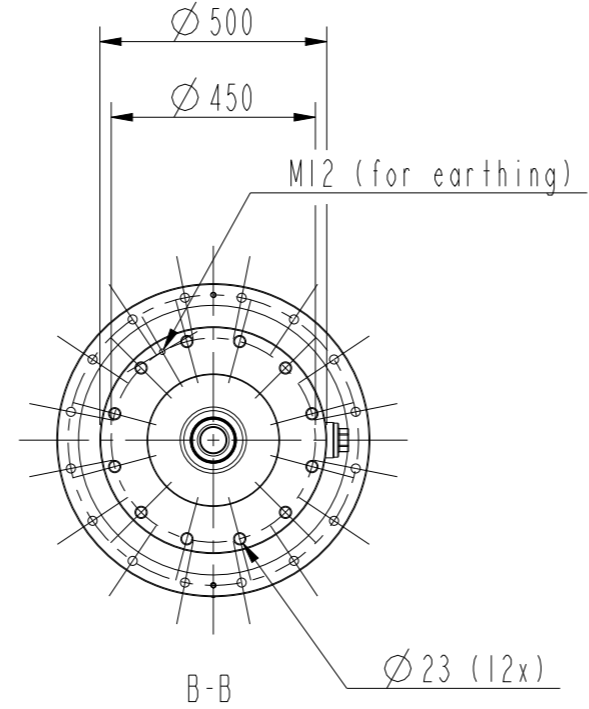
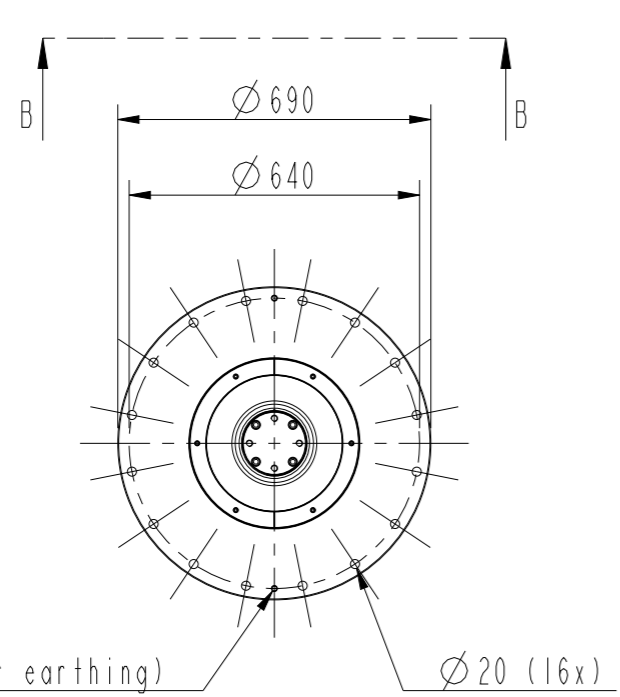
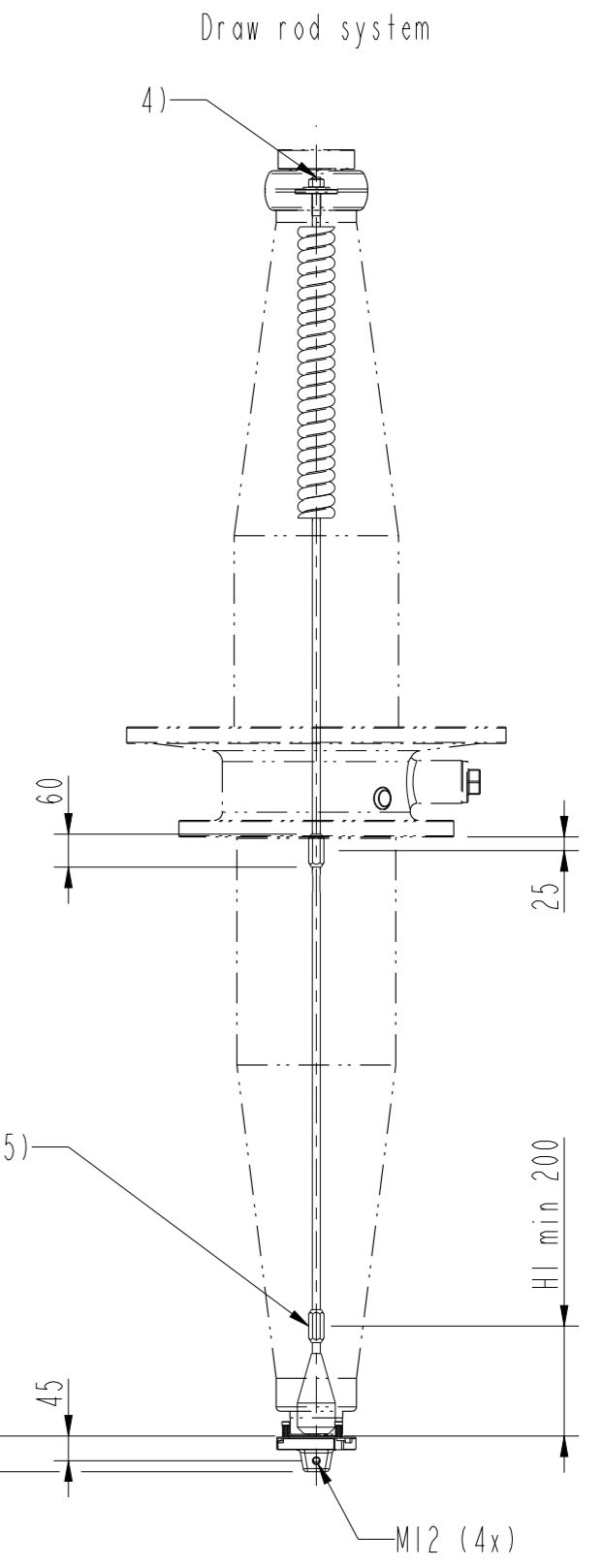
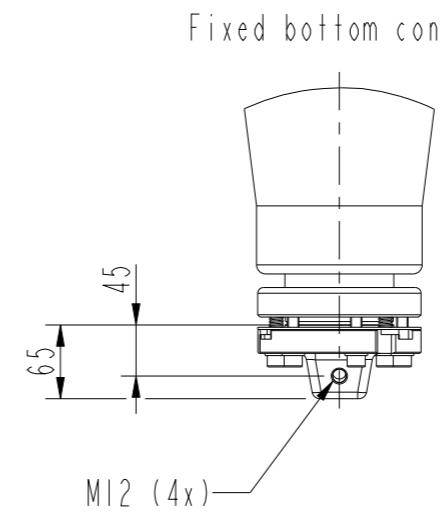
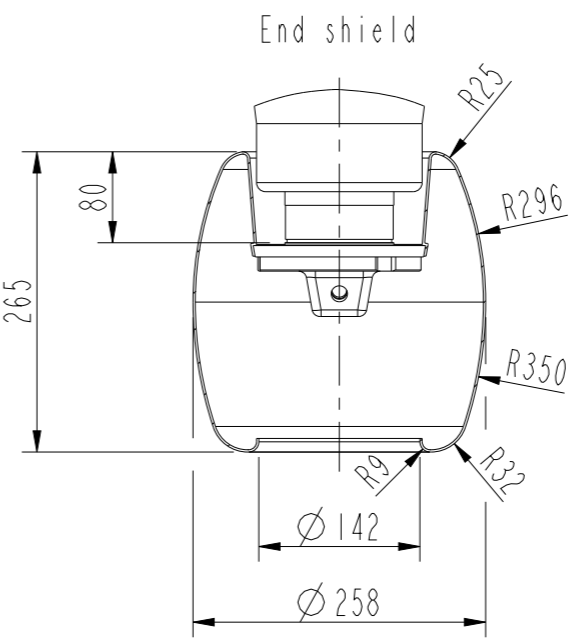
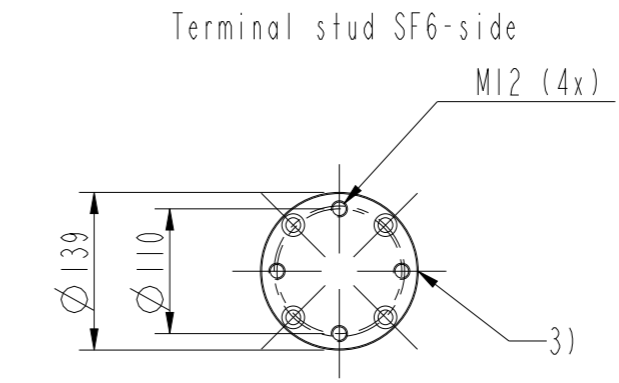


Bushing data:	
Rated voltage	420 kV
Phase-to-earth voltage	242 kV
Lightning impulse	1550 kV
Switching impulse	1175 kV
Routine test, 1 min 50 Hz	695 kV
Rated current	1600/2500 A
Mass	198/246 kg

Ordering data:			
Bushing		Conductor tube	Rated current
IZSC900420-AAA	Test tap	Al	1600 A
IZSC900420-ABA	Voltage tap 6 kV	Al	1600 A
IZSC900420-ACA	Test tap	Cu	2500 A
IZSC900420-ADA	Voltage tap 6 kV	Cu	2500 A

Draw rod system	
IZSC999004	
Fixed bottom contact	
IZSC999002-AAE	
End shield	
IZSC999003-AEA	Epoxy insulated
IZSC999003-AEB	Pressboard insulated

- 1) Maximum length of CT.
- 2) Test tap / Voltage tap
- 3) Test tap / Voltage tap position.
- 4) Threaded hole M8 for pulling wire.
- 5) Additional joints on request.



Prepared	Leif Roosgårdh	2017-05-24	Responsible department	PGCO/BK	Title	Bushing GSBK 420/0.3	Language	82
Modified by	Leif Roosgårdh	2017-05-24	Take over department					
Approved by	Johan X Eriksson	2017-05-24	Used in product		Genomföring GSBK 420/0.3	Order	Sheet no.	1
Revision	F	Mass updated.			Document no.	2753016-7	No. Shis.	(1)

