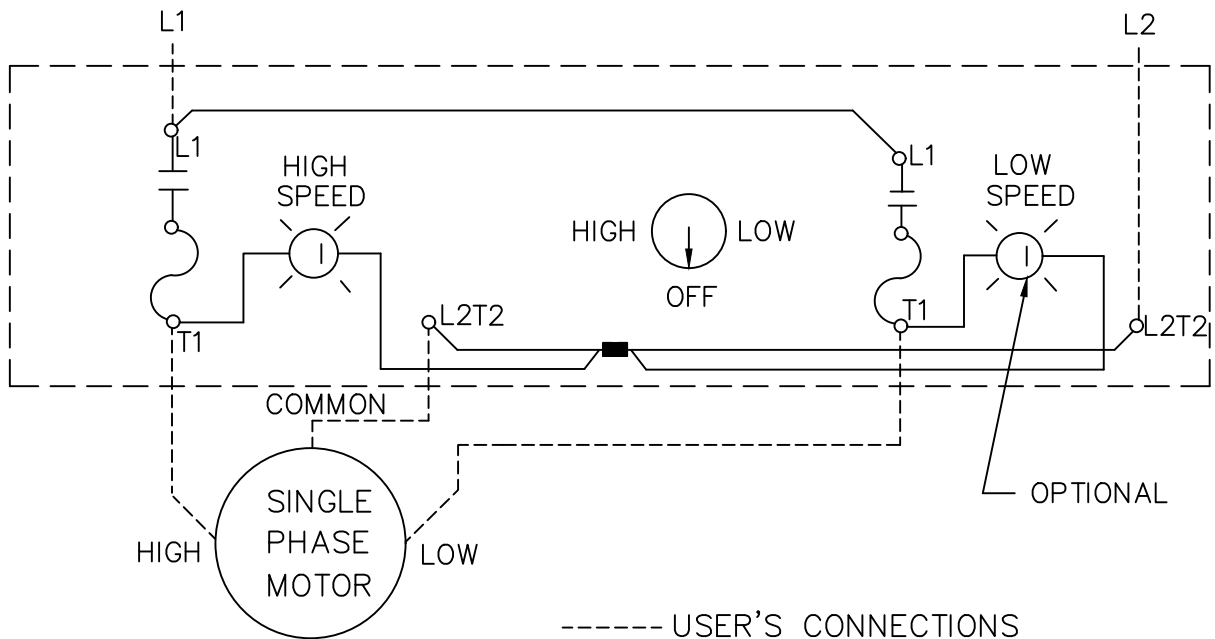


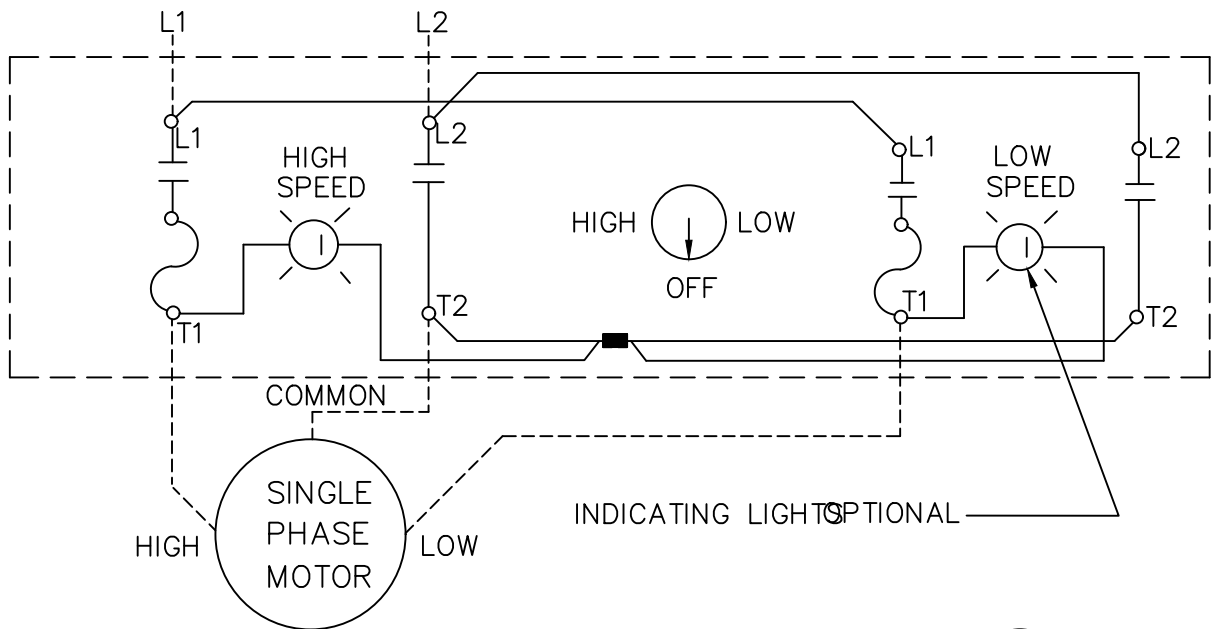
# WIRING FOR SINGLE POLE FORMS



2 SPEED 2 WINDING

1

# WIRING FOR TWO POLE FORMS



2 SPEED 2 WINDING

2



WIRING DIAGRAM  
CR101H & Y 2 SPEED-2 WINDING

ABB NUMBER: 1SQC913401D0201

THIRD ANGLE

SHEET#  
1 of 1

DWG NO.  
55-164327

DATE  
04/25

REV  
E