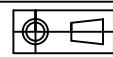


DRAWING NUMBER  
NPWD140A

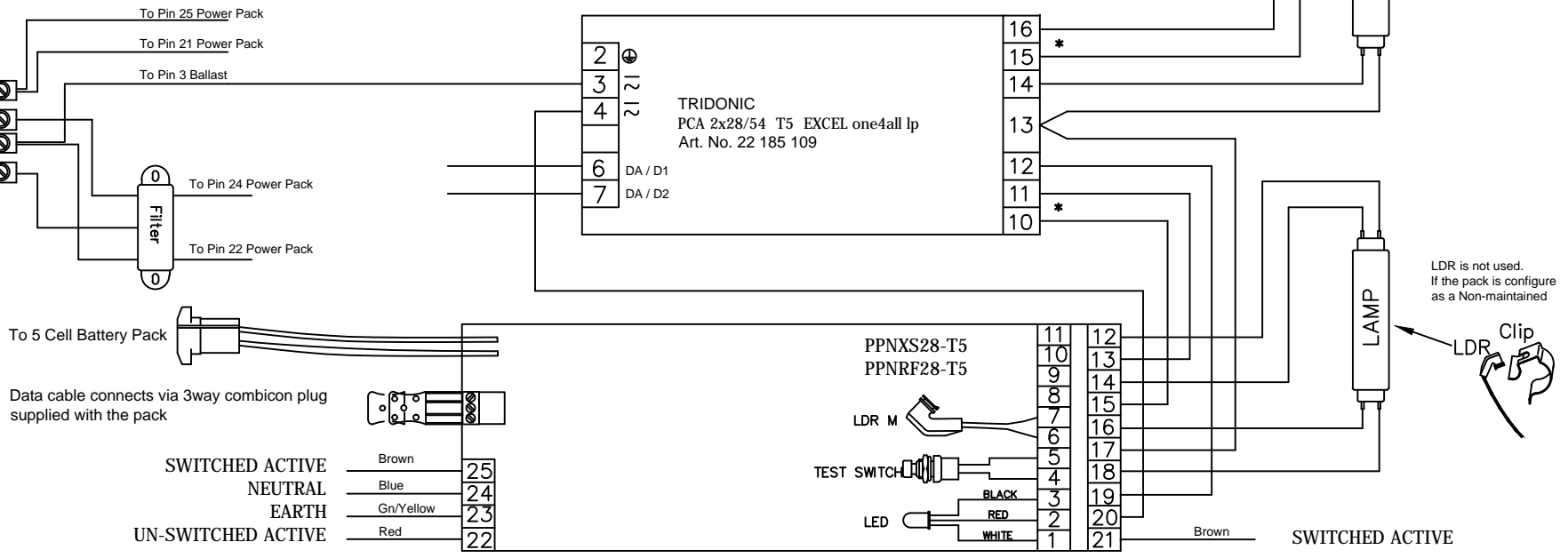
DO NOT SCALE



ISS	DATE	CHANGE	APPROVAL	ZONE
A	25/08/2015	ORIGINAL ISSUE		

- Dimming ballast:
1. If the dimming ballasts are to be employed with NEXUS/RF, then the NEXUS/RF power packs should be assigned as a Non-Maintained. This is required as the ballast may be dimmed to low levels, at which point a Maintained NEXUS/RF power pack would report a faulty lamp.
  2. Please also note that if the lamps are dimmed and the emergency lighting test is initiated via the NEXUS/RF system the lamps may come to full brightness on completion of the test, depending on functionality of the dimming ballast used.

\* WIRE LENGTH AS MARKED ON THE BALLAST



ANTENNA, DATA & BATTERY PACK CONNECTIONS NOT SHOWN

NOTES:

1. Wiring status: Draft - Not tested. The ballast / power pack combination has not been wired up and tested to confirm functional compatibility.
2. This wiring diagram is provided in good faith and the best of our knowledge at the time of publication. Thomas and Betts does not give any warranty or representation as to the accuracy, reliability or completeness of the information. Thomas and Betts shall not be liable for any loss or damage arising in any way from or in connection with any information provided or omitted, or from anyone acting or refraining to act in reliance on this information.
3. Changes to ballast specification by the manufacturer are beyond our control and may cause adverse effect on the performance, EMC issue and compatibility issue. Consult Thomas and Betts for further advise.

DRAWN	G.K.Grover	<b>Thomas &amp; Betts</b> <small>A Member of the ABB Group</small> <small>ABN 62074810898 23A NYRANG ST, LIDCOMBE NSW 2141 AUSTRALIA</small>		
CHECKED	-----	TITLE		
APPROVED	G.K.Grover	Wiring diagram using PPNXS28-T5/PPNRF28-T5 using TRIDONIC PCA 2x28/54 T5 EXCEL one4all lp Ele Ballast		
DATE:	25/08/15	USED ON	DRAWING NUMBER	SHEET SIZE
		PPNRF28-T5	NPWD140A	A3
DRAWING STD AS 1100	SCALE N.T.S.	SHEET	1 OF 1	