

18

17

16

15

14

13

12

11

D

D

C

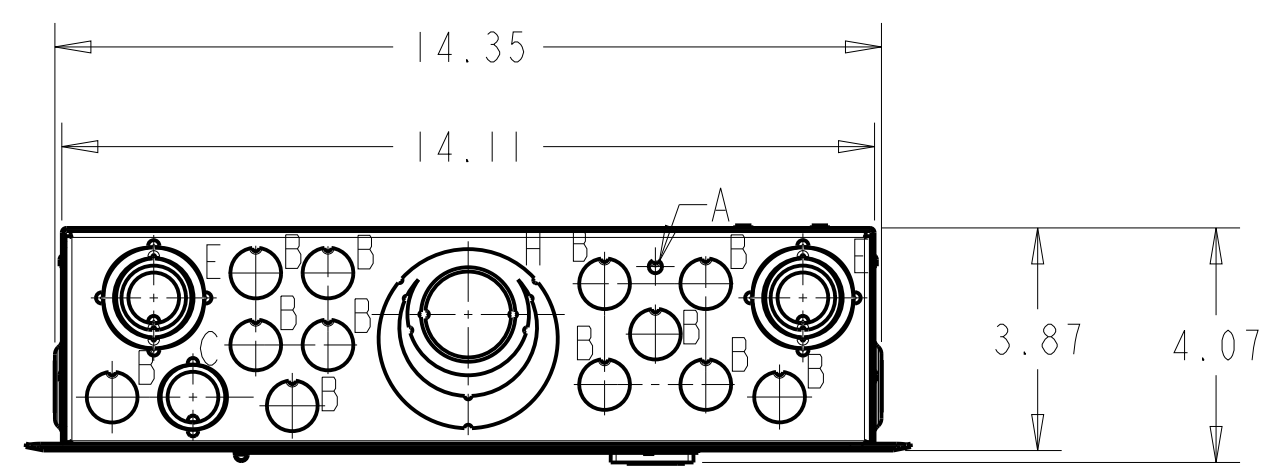
C

B

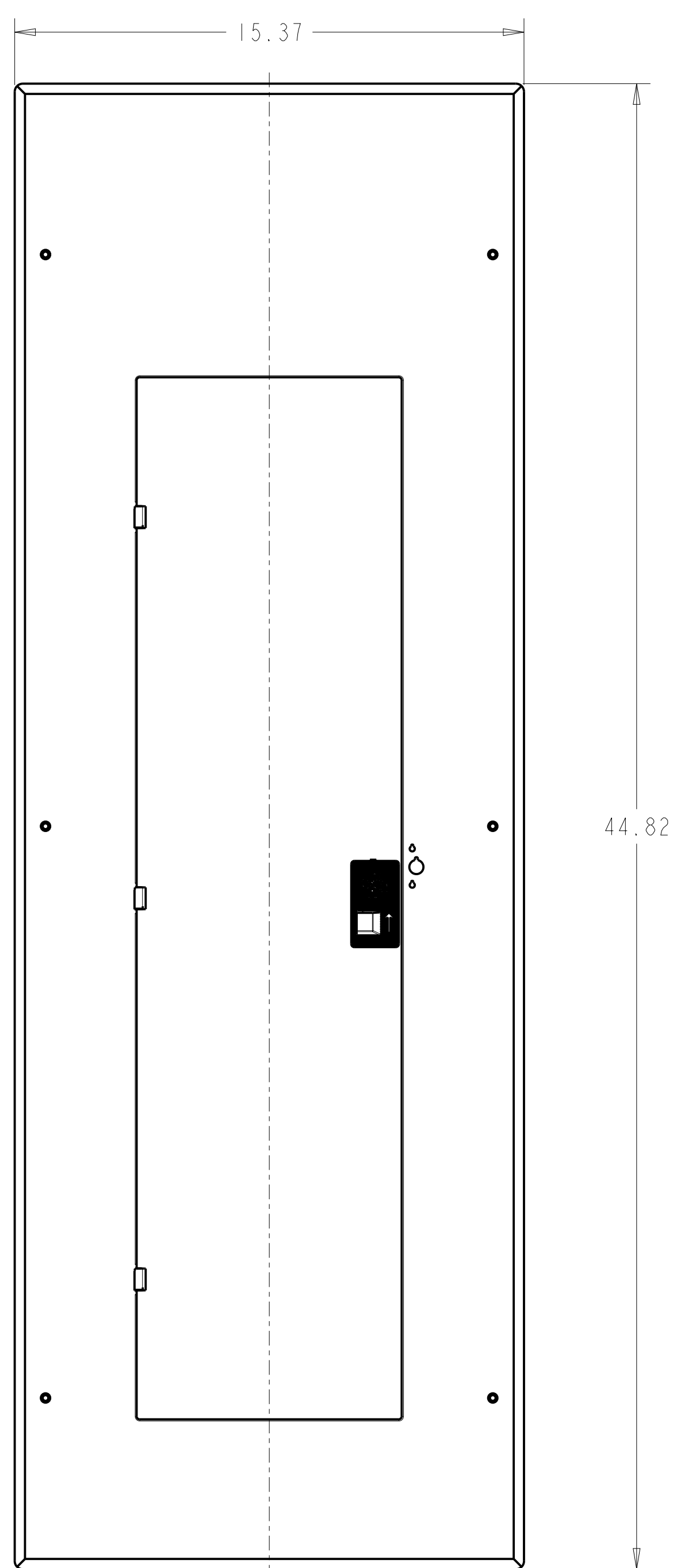
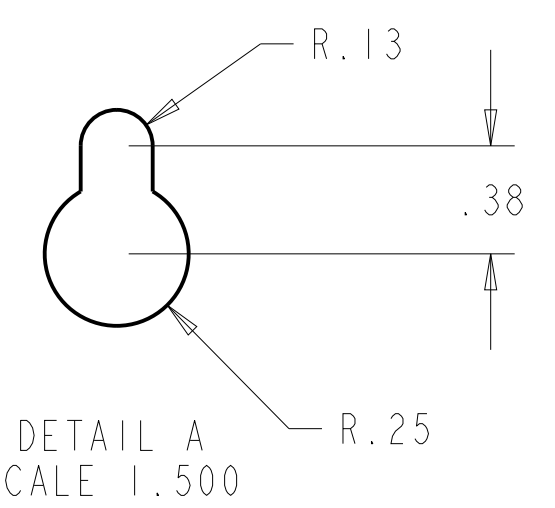
B

A

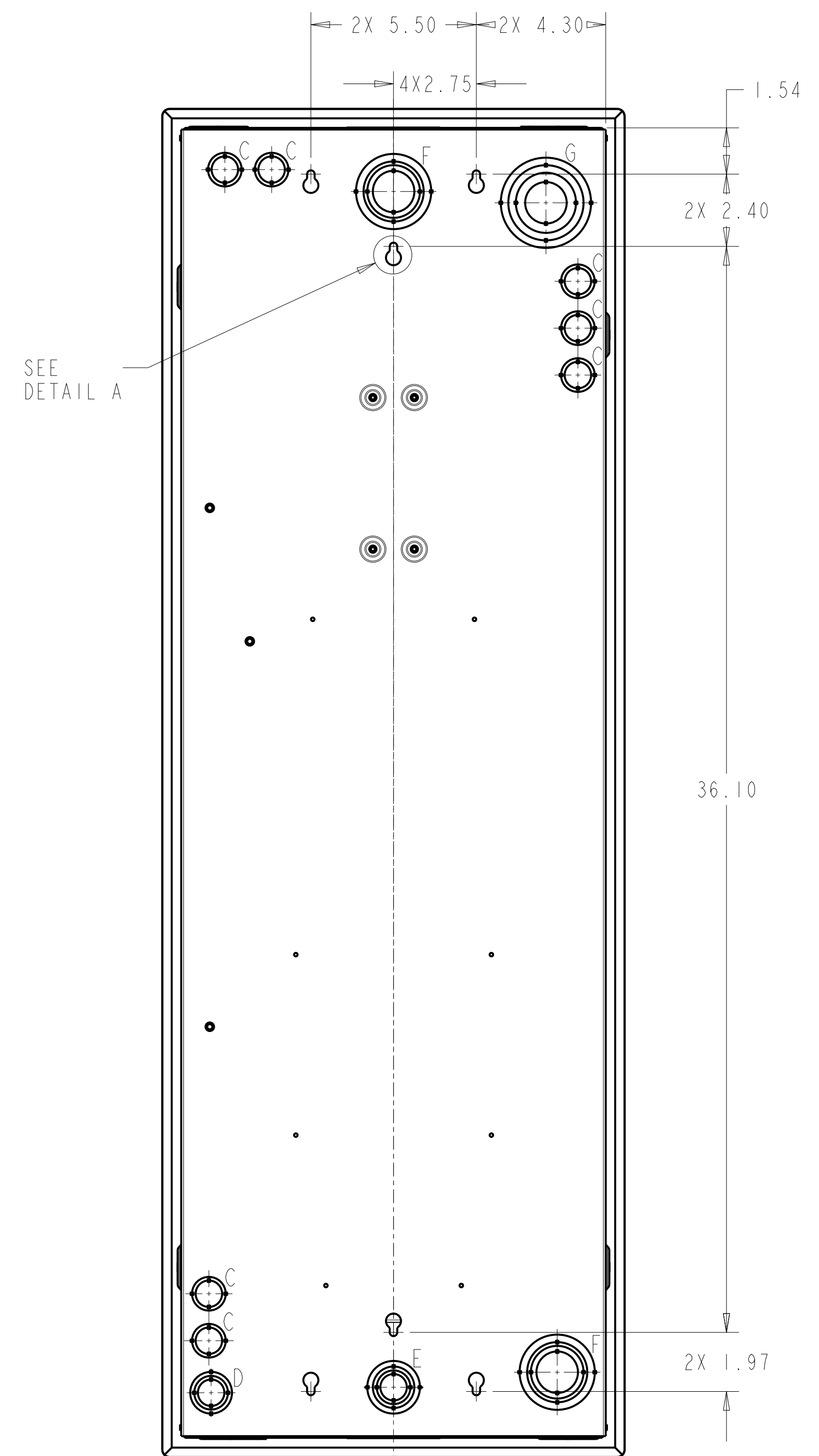
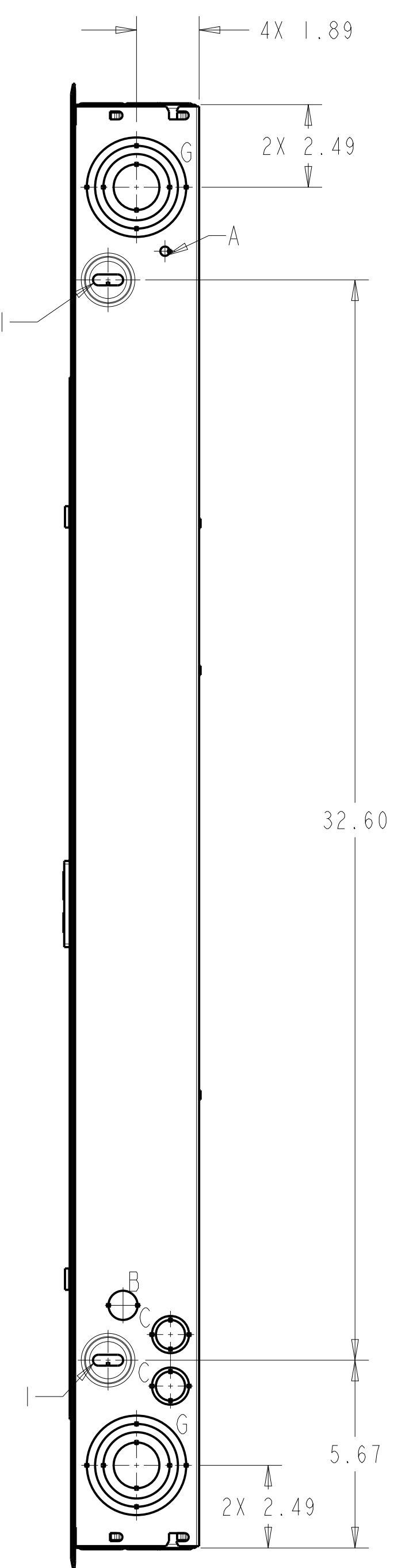
A



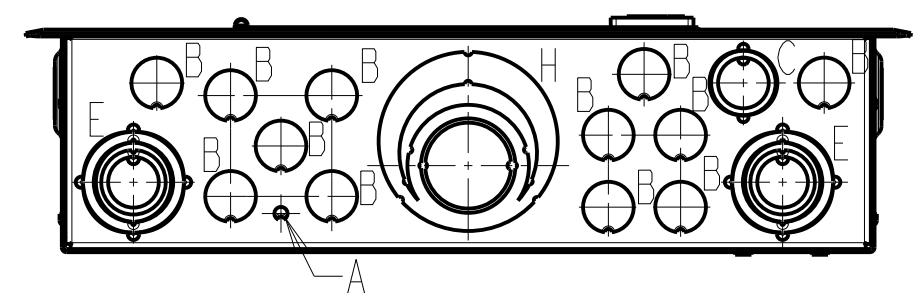
MOUNTING HOLES (X6)
ON THE BACK SURFACE OF THE ENCLOSURE



☉ OF BOX



☉ OF BOX



CAT. NO.	MODEL
TM42415CB	4
TM42420CLB	4
TM42420C	4
TM42420CB	4
TM42415C	4

SYMBOL	SIZE	QTY.
A	9/32 KO	4
B	1/2 KO	28
C	1/2 X 3/4 KO	15
D	1/2 X 3/4 X 1 KO	1
E	1/2 X 3/4 X 1 X 1 1/4 KO	6
F	1 X 1 1/4 X 1 1/2 X 2 KO	2
G	1 X 1 1/2 X 2 X 2 1/2 KO	5
H	1 X 1 1/4 X 1 1/2 X 2 X 2 1/2 KO	2
I	.219 X .08 OBLONG KO	4

ALL DIMENSIONS HAVE +/- .125 TOLERANCE

ABB

MAIN C/B PANEL 3PH 4W 200/150A
14" INDOOR ASM ENCLOSURE (43.44)

THIRD ANGLE	SHEET#	DWG NO.	DATE	REV
	1 of 1	10103091SH290	May-02-22	1

18

17

16

15

14

13

12

11