

## ABB i-bus® KNX

Zone Module, 4-fold, SM MG/A 4.4.1, 2CDG110186R0011

Zone Module, 4-fold MG/E 4.4.1, 2CDG110178R0011



### Product description

The MG/X Zone Modules are used to expand the zones of the GM/A 8.1 KNX Security Panel. The modules each possess 4 zones for the connection of floating contacts in applications with increased security requirements.

In addition, parameterizable status information can be displayed via 3 switchable outputs.

The device can be used in systems with increased security requirements according to VdS Class A, B and C, DIN VDE 0833 Grade 1, 2, 3 and EN 50 131 / IEC 62 642 Grade 1, 2, 3.

# ABB i-bus® KNX

Zone Module, 4-fold, SM MG/A 4.4.1, 2CDG110186R0011

Zone Module, 4-fold MG/E 4.4.1, 2CDG110178R0011

## Technical data

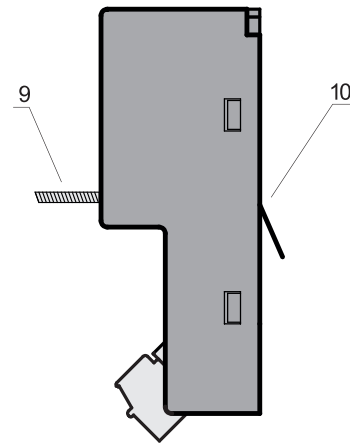
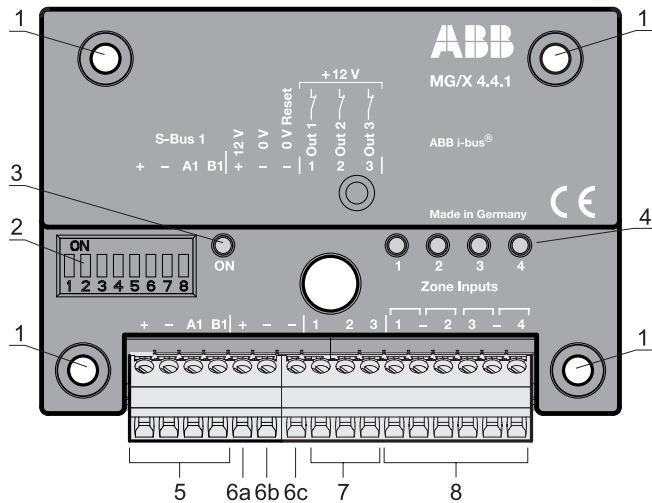
<b>Supply</b>	Voltage	13.2 V DC + 0.5 V (via S-Bus 1)
	Current consumption	Max. 300 mA
	Current consumption without 12 V DC output and transistor outputs:	
	Zones open	19 mA
	Zones shorted	40 mA
	Zones terminated (2.7 kOhms)	23 mA
	Power consumption	Max. 4.6 W, at 15 V
Total power loss	Max. 1.4 W, at 15 V	
<b>Connection type</b>	Type	Pluggable screw type terminals
	Connecting capacity	0.14...1.5 mm <sup>2</sup> rigid/flexible
	Multi-wire connecting capacity	0.08...0.5 mm <sup>2</sup> rigid 0.08...0.75 mm <sup>2</sup> flexible
	Tightening torque	Max. 0.25 Nm
<b>Inputs (zones)</b>	Quantity	4
	No-load voltage	9.5...15 V DC
	Short circuit current	6 mA each
	Permitted cable length	Max. 500 m each
	Permissible line resistance	Max. 200 Ohms each
<b>Output (12 V DC)</b>	Output voltage	9.5...15 V DC
	Output current	200 mA
	Short circuit current	215 mA
<b>Transistor outputs (Open Collector)</b>	Quantity	3
	Internal pre-resistor	820 Ohms each
	Max. output voltage	9.5...15 V DC
	Output current	15 mA, at $V_{IN} = 15$ V
	Short circuit current	18 mA, at $V_{IN} = 15$ V
<b>Temperature range</b>	Mode	-10...+55 °C
	Transport	-25...+70 °C
	Storage	-25...+55 °C
<b>Ambient conditions</b>	Max. humidity	93 %, no condensation allowed
<b>Mounting</b>	Installation in central enclosure	MG/E 4.4.1 (max. 2 pieces)
	Surface mounted device (AP)	MG/A 4.4.1
	Main dimensions (H x W x D)	90 x 63 x 25 mm
<b>Protection type</b>	IP 30	To DIN EN 60 529
<b>Environmental class</b>	II	To DIN EN 50 130-5
<b>Interference immunity</b>	DIN EN 50 130-4	
<b>Isolation category</b>	Overvoltage category	III to EN 60 664-1
	Pollution degree	2 to DIN EN 60 664-1
<b>Approvals</b>	VdS 2252 DIN EN 50 131-3	Class C applied for Grade 3
<b>CE conformity</b>	In accordance with the EMC guideline and low voltage guideline, ROHS	

# ABB i-bus<sup>®</sup> KNX

Zone Module, 4-fold, SM MG/A 4.4.1, 2CDG110186R0011

Zone Module, 4-fold MG/E 4.4.1, 2CDG110178R0011

## Connection schematic



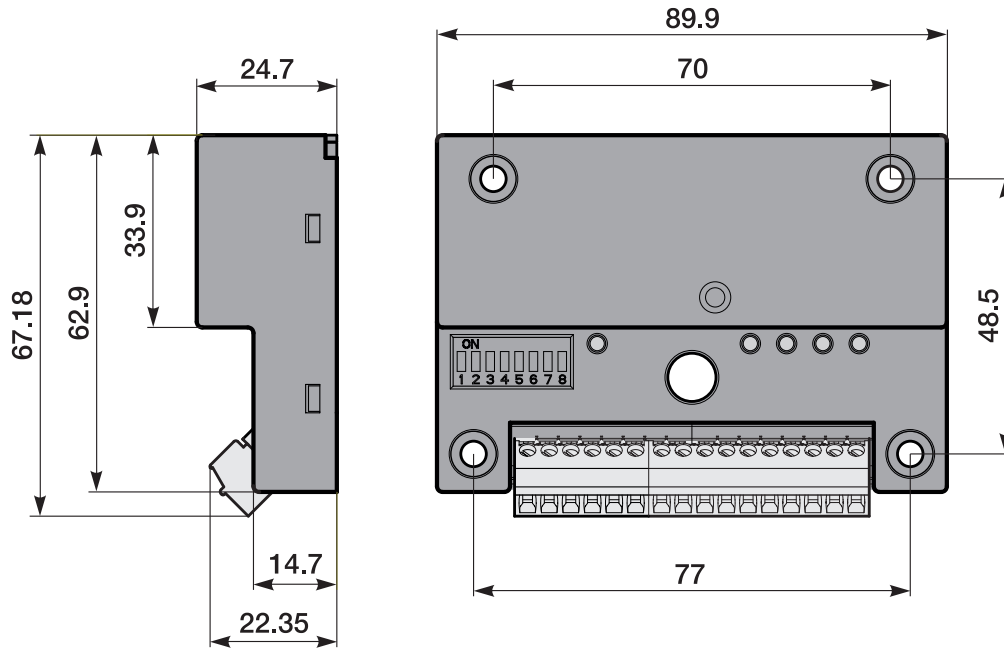
- |  |  |
|--|--|
| <ul style="list-style-type: none"> <li>1 Fixing holes</li> <li>2 Function switch for addressing</li> <li>3 LED ON (green)</li> <li>4 EDs for indication of operational states of the zone inputs (red)</li> <li>5 Bus connection, S-Bus 1</li> </ul> | <ul style="list-style-type: none"> <li>6a 12 V output for the connection of external consumers</li> <li>6b 0 V output for the connection of external consumers</li> <li>6c 0 V reset output, for external consumers with Reset function (e.g. smoke detectors)</li> <li>7 Transistor outputs (Open Collector) 1...3</li> <li>8 Inputs, zones 1...4</li> <li>9 Case tamper</li> <li>10 Off the wall tamper contact</li> </ul> |
|--|--|

# ABB i-bus® KNX

Zone Module, 4-fold, SM MG/A 4.4.1, 2CDG110186R0011

Zone Module, 4-fold MG/E 4.4.1, 2CDG110178R0011

## Dimension drawing

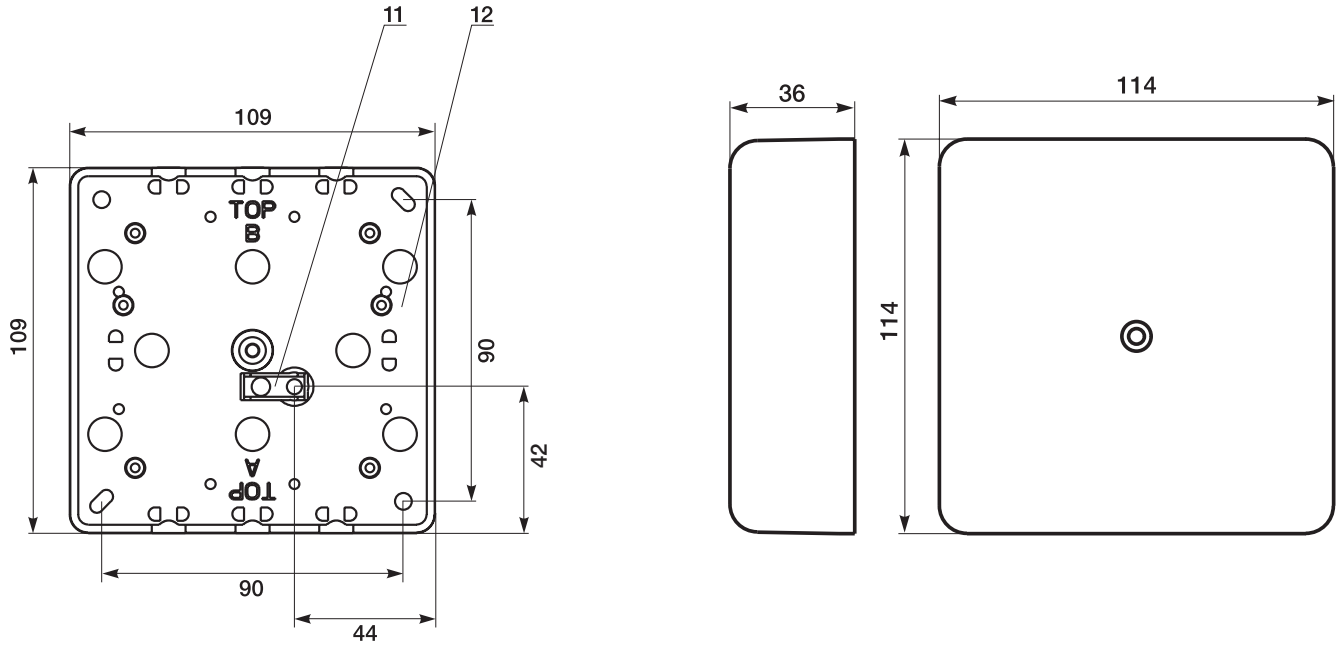


# ABB i-bus® KNX

Zone Module, 4-fold, SM MG/A 4.4.1, 2CDG110186R0011

Zone Module, 4-fold MG/E 4.4.1, 2CDG110178R0011

## Dimension drawing



- 11 Predetermined breaking point in enclosure for tamper detection
- 12 Surface mounted distribution enclosure for MG/A 4.4.1

# Contact

## **ABB STOTZ-KONTAKT GmbH**

Eppelheimer Straße 82

69123 Heidelberg, Germany

Telefon: +49 (0)6221 701 607

Telefax: +49 (0)6221 701 724

E-Mail: [knx.marketing@de.abb.com](mailto:knx.marketing@de.abb.com)

## **Further information and local contacts:**

**[www.abb.com/knx](http://www.abb.com/knx)**

## **Note:**

We reserve the right to make technical changes or modify the contents of this document without prior notice.

The agreed properties are definitive for any orders placed. ABB AG shall not be liable for any consequences arising from errors or incomplete information in this document.

We reserve all rights in this document and in the subject matter and illustrations contained therein. Reproduction, transfer to third parties or processing of the content – including sections thereof – is not permitted without prior expressed written permission from ABB AG.

Copyright© 2015 ABB

All rights reserved