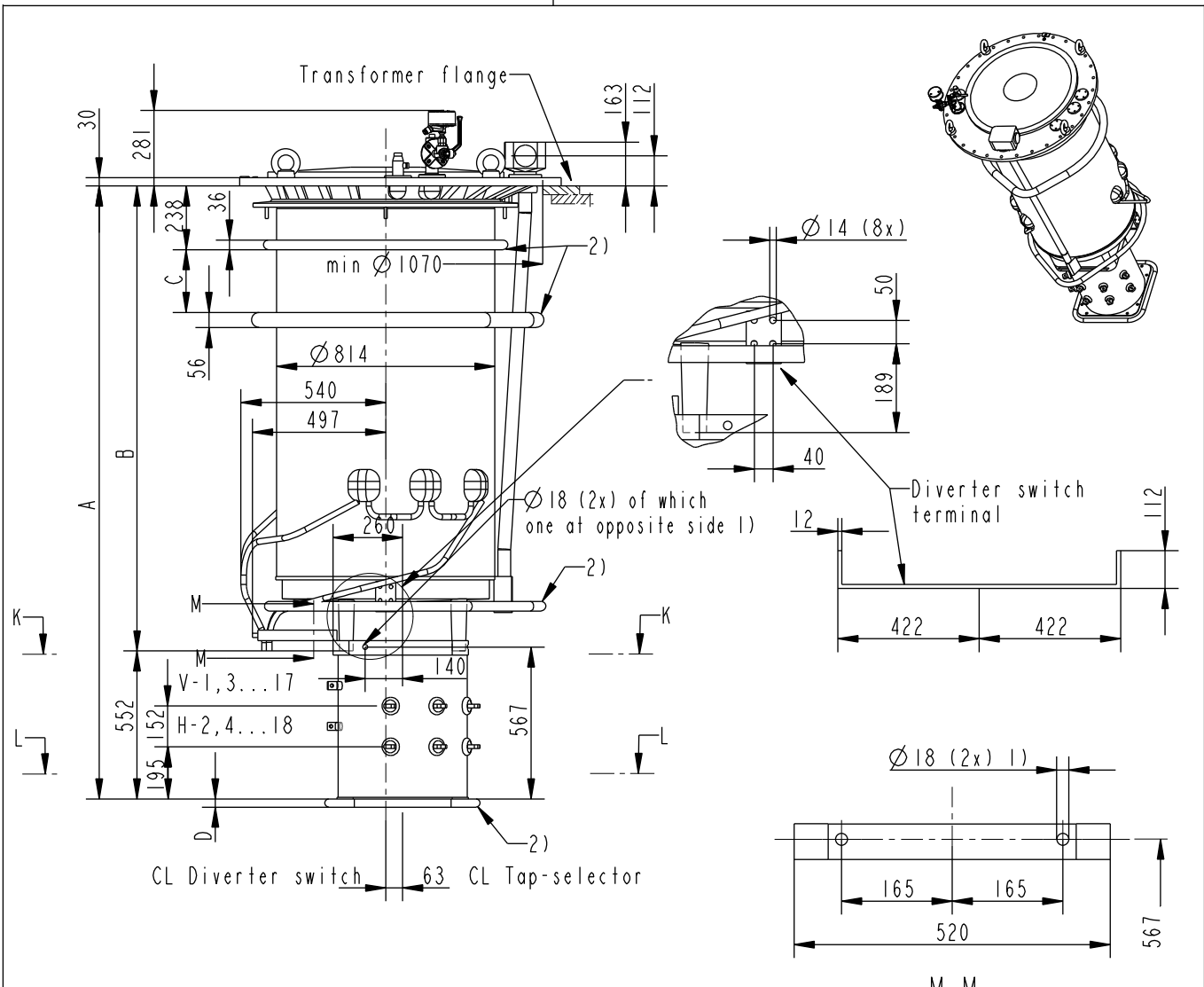


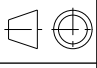
We reserve all rights in this document and in the information contained therein. Reproduction, use or disclosure to third parties without express authority is strictly forbidden. ©ABB



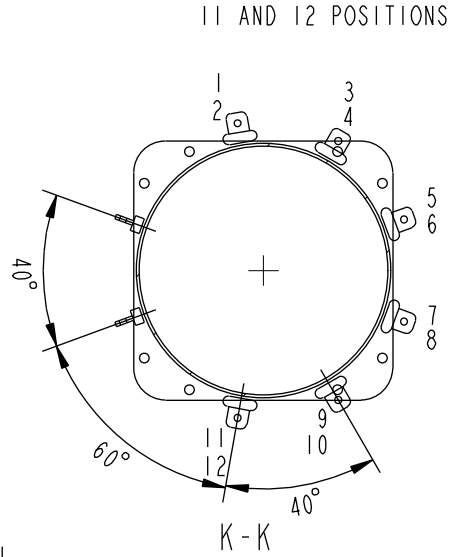
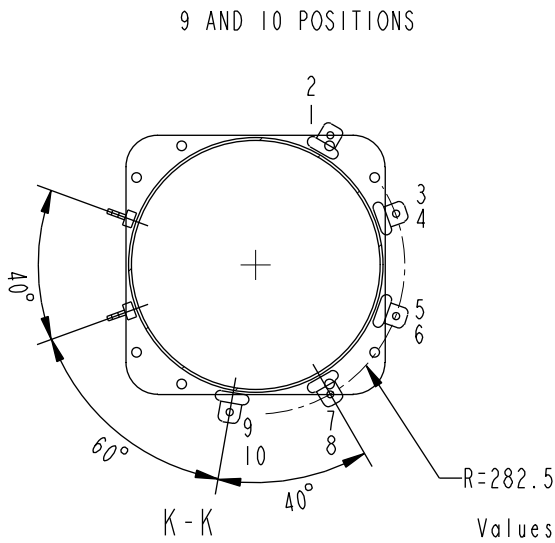
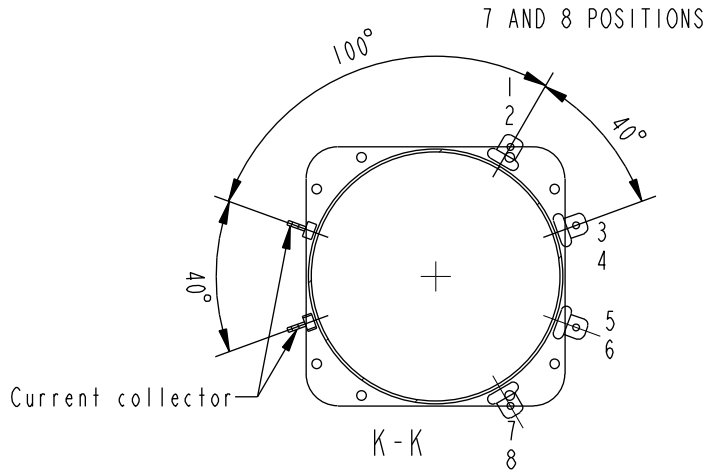
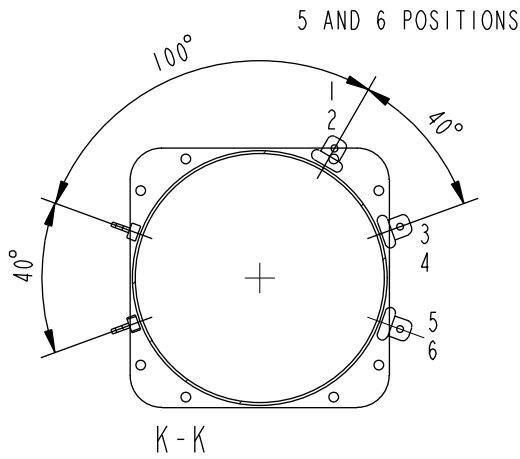
1) Holes for mounting of supports for cleats and leads

2) Shielding rings for insulating levels 650kV and 1050kV only

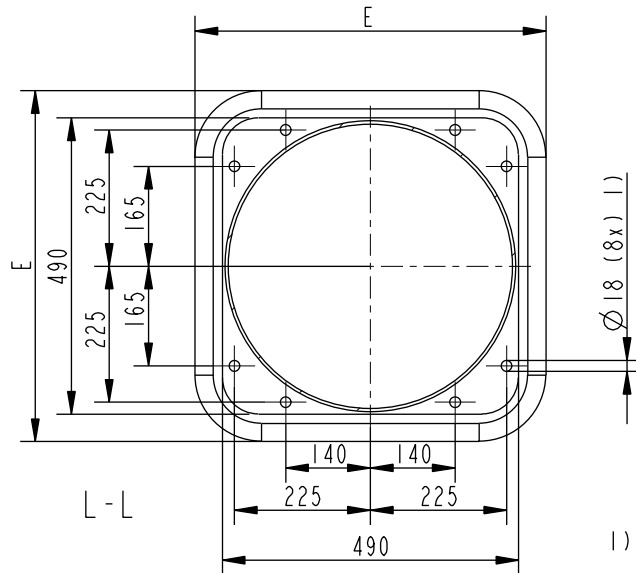
INSULATION LEVEL kV		380	650	1050
Dimensions in mm	A	2146	2286	2486
	B	1594	1734	1934
	C	-	240	440
	D	-	30	36
	E	-	580	586

Inspection engineering review	Production engineering review	Based on	Reg. No.	Title TAP-CHANGER UCD UCDLE XXXX/1000/III 5-18 pos Document No. 54920091-2	 Language en Page 1(3)
Design engineering review	Prepared T Sapila 96-09-06	Responsible department COM/TK	Take over department		
Approved M Eriksson	Revision Rev 3 06-10-02	Database DIMENSION_DWGS			
ABB		ABB Components			

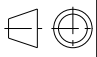

We reserve all rights in this document and in the information contained therein. Reproduction, use or disclosure to third parties without express authority is strictly forbidden. ©ABB



Values for dim. E in table on page 1



1) Holes for mounting of supports for cleats and leads

Based on	Reg. No.	Title TAP-CHANGER UCD UCDLE XXXX/1000/III	 Language en Page 2(3)
Prepared T Sapila 96-09-06	Responsible department COM/TK		
Approved M Eriksson	Take over department		
Revision Rev.3 06-10-02	Database DIMENSION_DWGS		
 ABB Components		Document No.	54920091-2

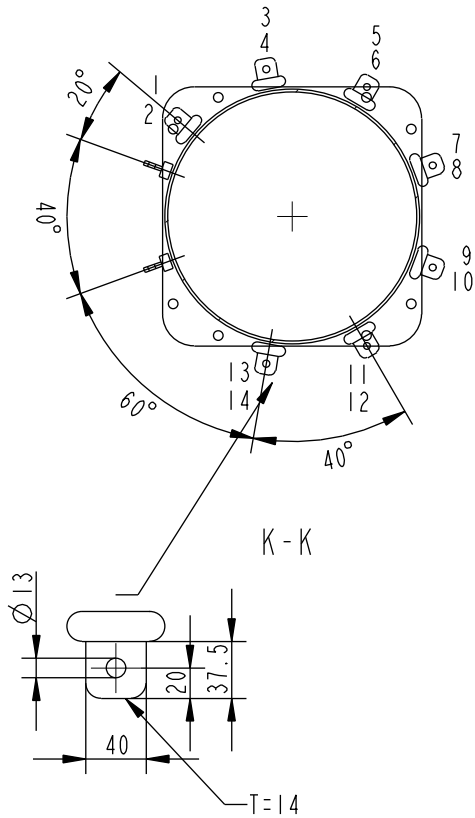
Inspection engineering review

Production engineering review

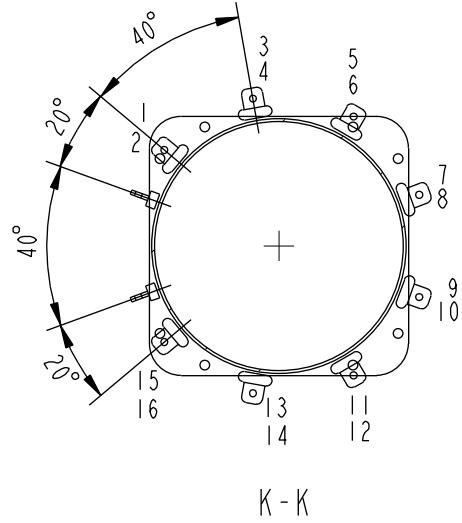
Design engineering review

We reserve all rights in this document and in the information contained therein. Reproduction, use or disclosure to third parties without express authority is strictly forbidden. ©ABB

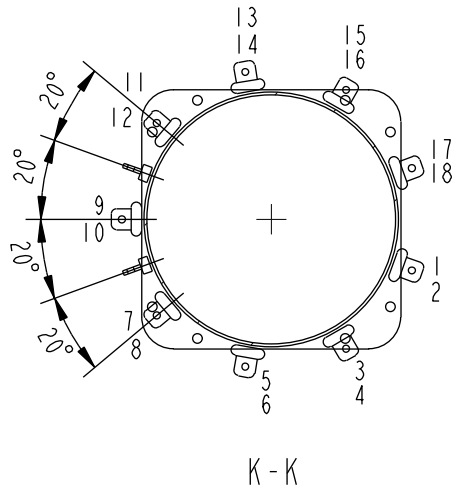
13 AND 14 POSITIONS



15 AND 16 POSITIONS

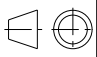



17 AND 18 POSITIONS



ADDITIONAL DRAWINGS:

Connection Diagrams: See Technical Guide UC
 Mounting on active part: 54920087-1
 Top Section, Accessories: 54920087-2
 Motor Drive BUL: 54830001-1
 Motor Drive BUE: 54830001-2 or -3
 External Drive Shaft: 54920083-4
 Pressure Relay: 54920083-2
 Bevel Gear: 54920083-1

Based on	Reg. No.	Title TAP-CHANGER UCD UCDLE XXXX/1000/III	 Language en Page 3(3)
Prepared T Sapila 96-09-06	Responsible department COM/TK		
Approved M Eriksson	Take over department		
Revision Rev.3 06-10-06	Database DIMENSION_DWGS		
 ABB Components		Document No. 54920091-2	

Inspection engineering review

Production engineering review

Design engineering review