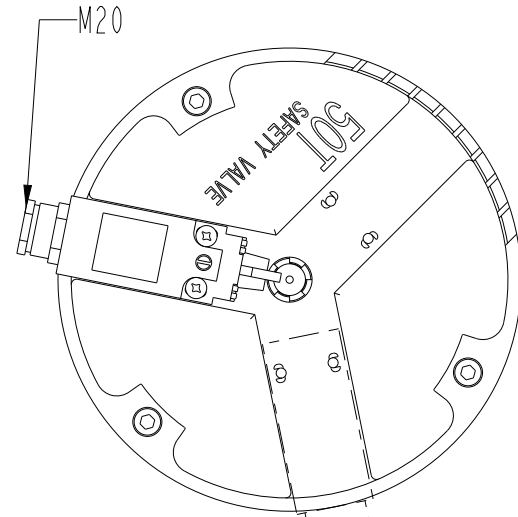
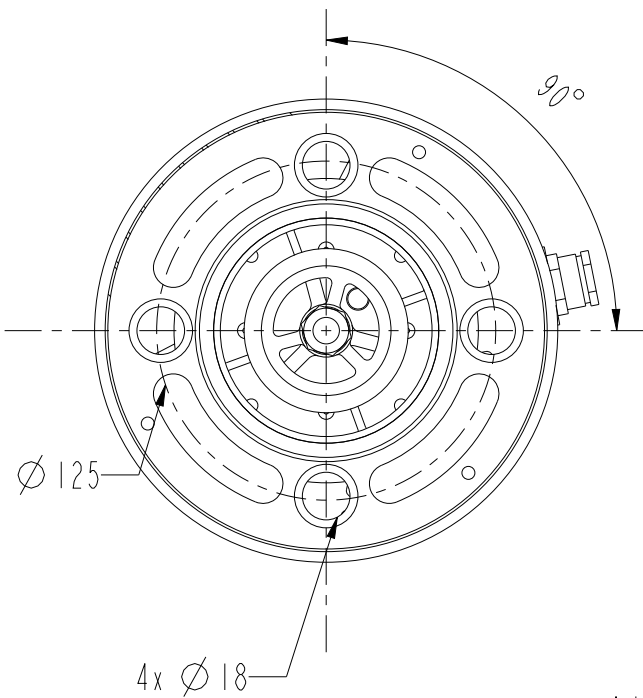
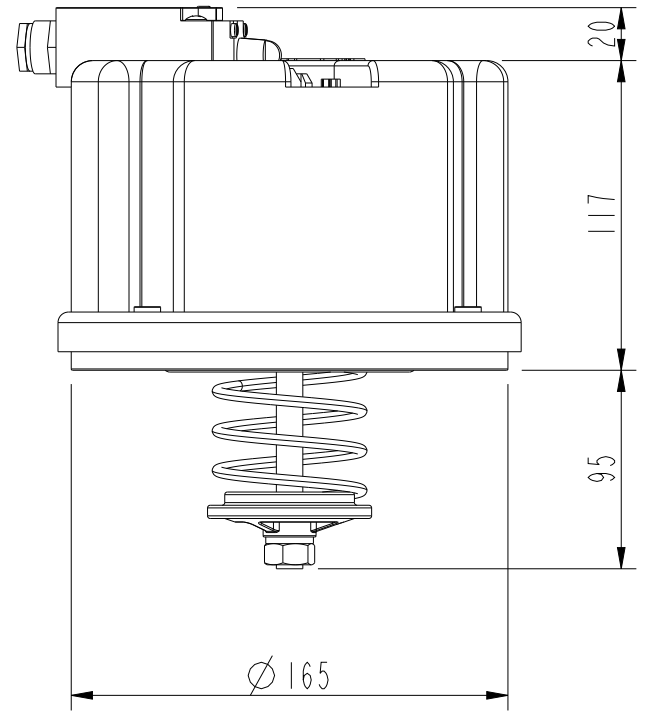


This document is issued by means of a computerized system.
 The digitally stored original is electronically approved. The
 approved document has a date entered in the 'Approved'-field.
 A manual signature is not required.

Flow diameter 50
 Flödesdiameter 50



Additional switch
 on request

We reserve all rights in this document and in the information contained
 therein. Reproduction, use or disclosure to third parties without express
 authority is strictly forbidden. © Copyright 2015 ABB. All rights reserved.

Date / Approved
 2018-03-07

Responsible department
 PGCO/TK

Document Kind
 DIMENSION DRAWING



Title
 Pressure relief device
 Avlastningsventil

Document Id.
 1ZSC003721-AAW

Revision
 C

Language

Sheet
 1/1