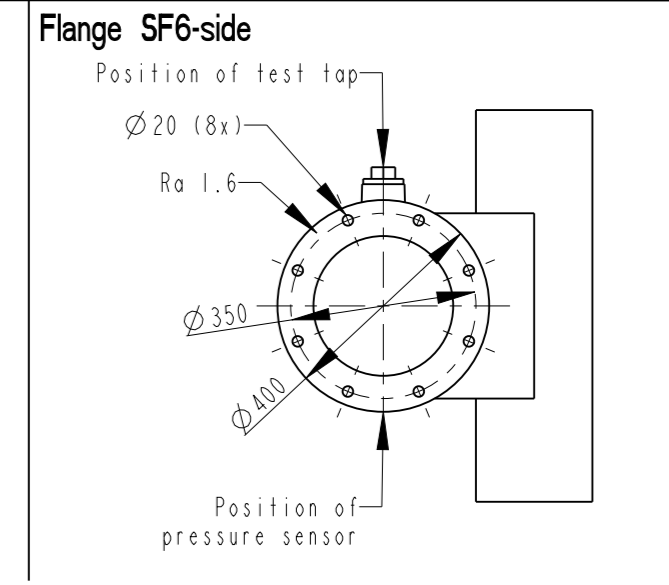
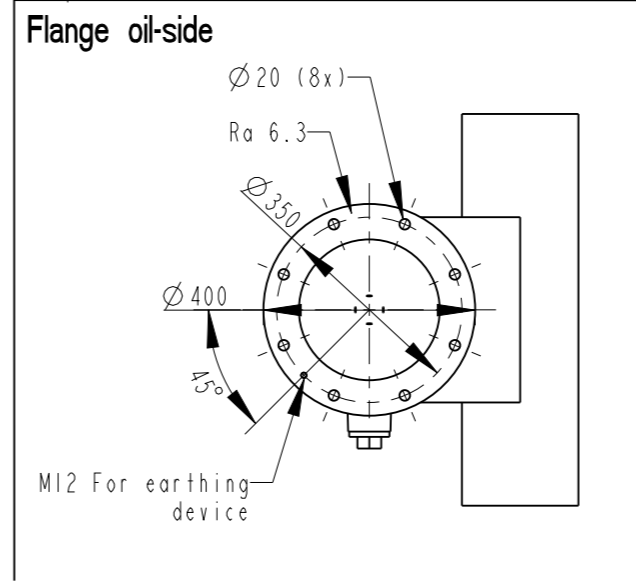
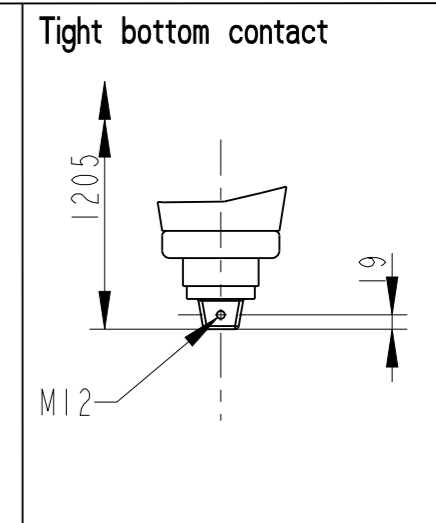
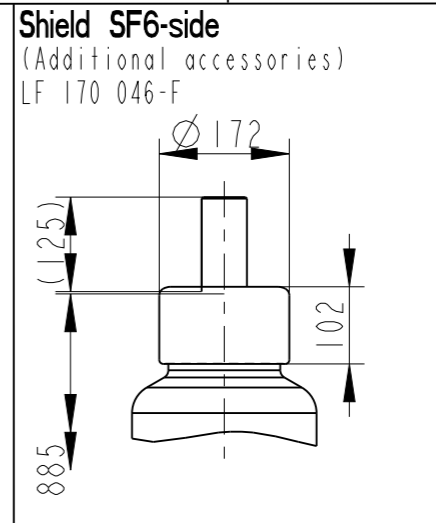
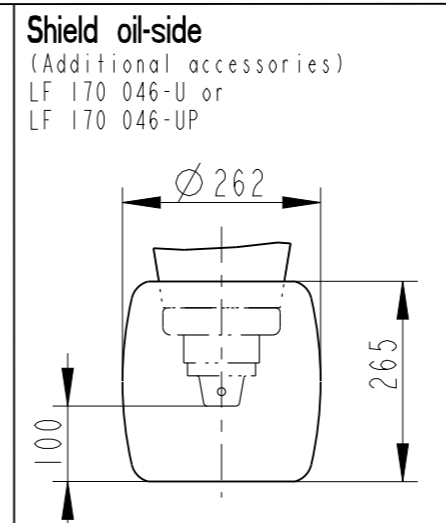
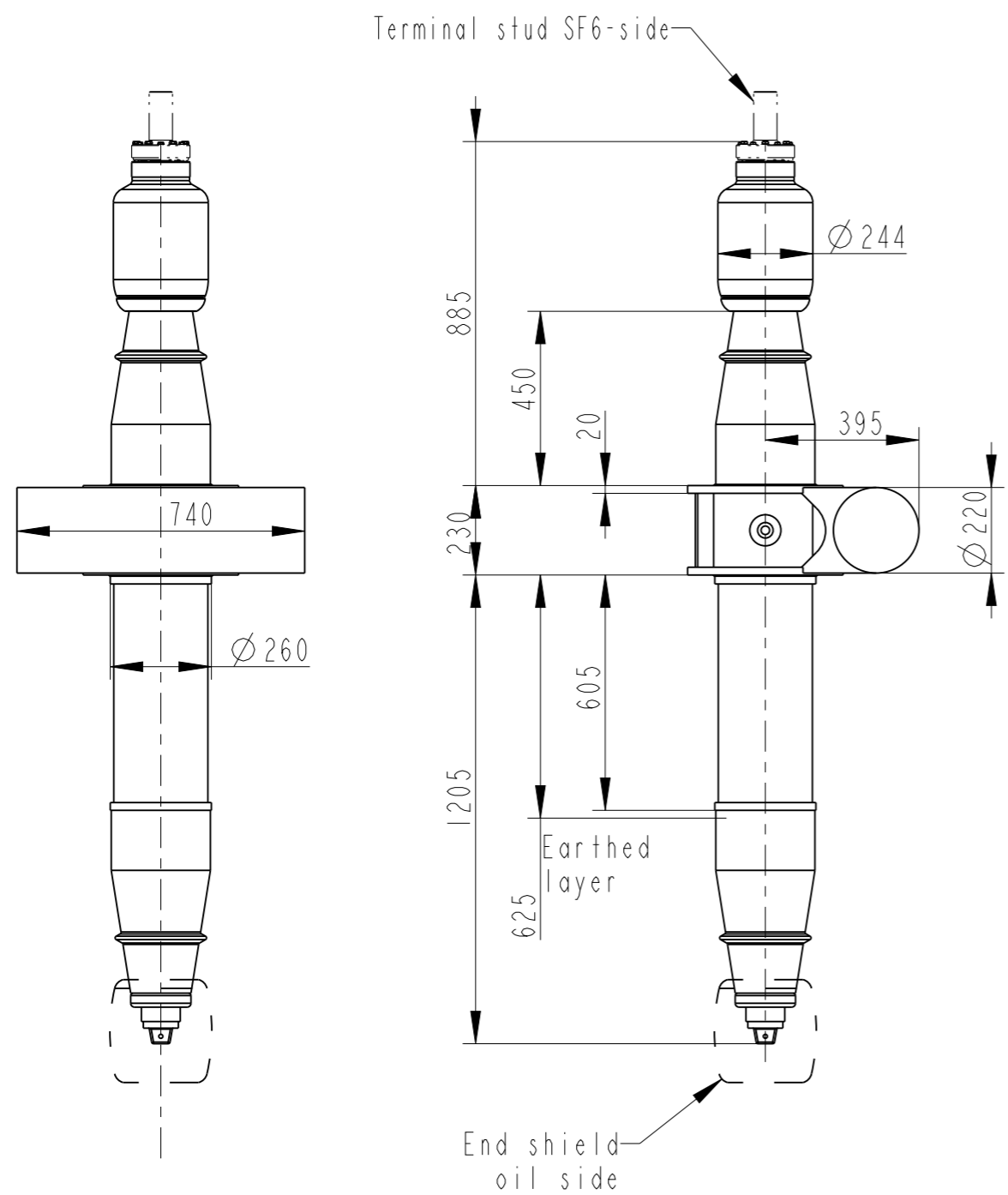
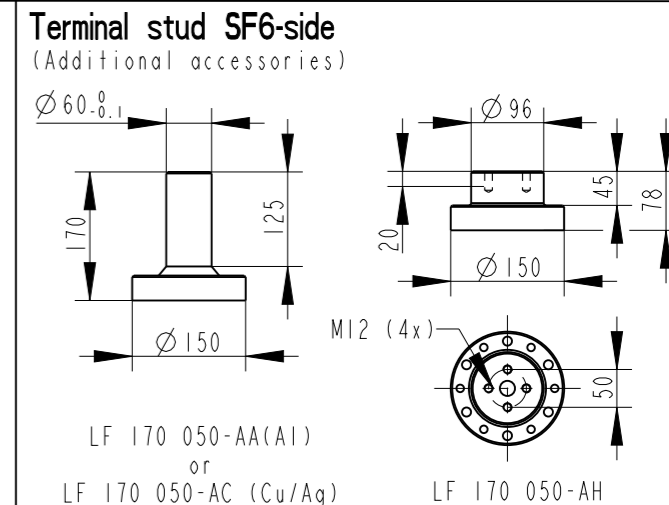
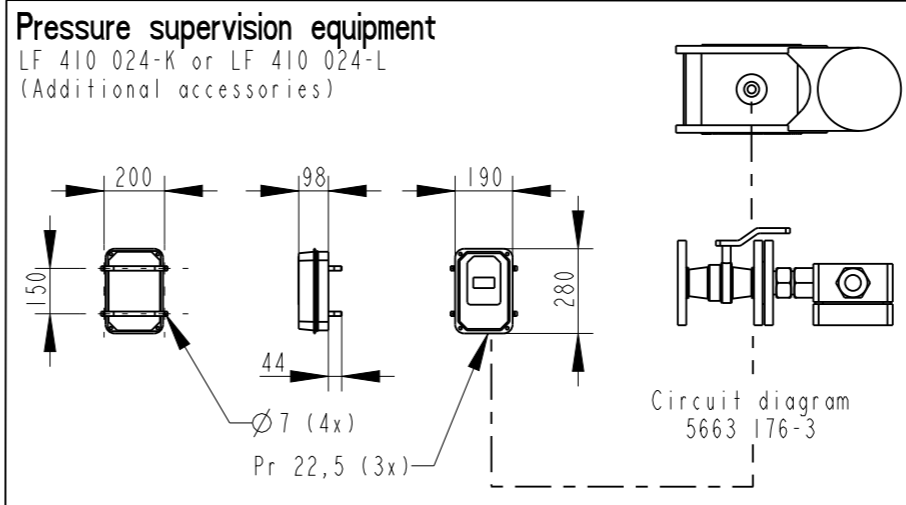


This document is issued by means of a computerized system. The digitally stored original is electronically approved. The approved document has a date entered in the "Approved"-field. A manual signature is not required.

The information contained in this document has to be kept strictly confidential. Any unauthorized use, reproduction, distribution or disclosure to third parties are strictly forbidden. ABB reserves all rights regarding Intellectual Property Rights. © Copyright 2010 ABB. All rights reserved.

Bushing data		
Catalogue number	LF 124 011-C	
Rated voltage	245	kV
Max. phase to ground	170	kV
Rated current vertical	2500	A
Rated current horizontal	1600	A
Lighting impulse	1050	kV
Switching impulse	850	kV
Power frequency AC	460	kV
Mass	200	kg

ABB		Ludvika, Sweden	
No.			
Um/Uy	kV Ir	A	50/60 Hz
BIL	kV SIL	kV AC	kV
M	kg L	mm	▷
C1	pF Tan δ		×
C2	pF Tan δ		×



Prepared iladmin	2008-05-05	Responsible department	Title GOEK 1050-850-2500-0,6	Language 82
Modified by Dan Dicander	2010-10-26	Take over department		
Approved by Urban Schander	2010-11-02	Used in product	LF124011-C	Steel no.
Revision A	Redrawn		Order	No. Shis. (1)
Document no. 2753015-30				

