

Mechanical lugs for terminations

for connection of conductors with MV electrical equipment



Features & benefits

- Bolt heads shears off at the correct torque thus reducing human error
- Leaves a smooth finish, no sharp edges
- Simplified installation, no special tool necessary
- Compatible with both aluminium and copper conductors
- Increased clamping area results in a tighter, more secure connection
- Pre-lubricated bolts
- Special design with grooves for improved contact
- Quick to install thus saves time and resources

Material

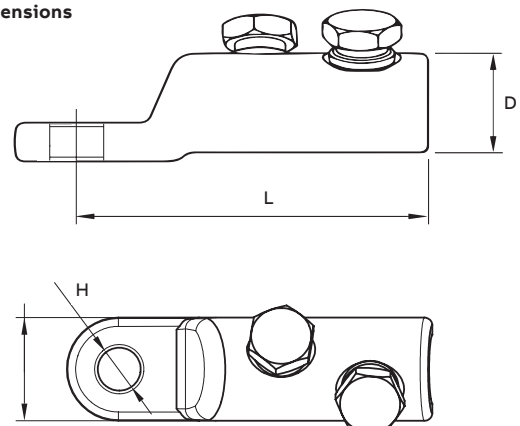
- Body: High strength aluminium alloy
- Bolts: Aluminium alloy
- Surface: Tin plated

Product information

Part no.	AL or CU (mm ²)			Outer diameter (mm)	No. of bolts	Shear-off torque (N.m)	Wrench size
	Round stranded	Sector stranded	Round solid				
SBTAA1CG24AA	25-95	25-70	25-95	24	1	17	13
SBTAA1DJ28AA	35-150	35-120	35-150	28	1	31	17
SBTAA2FL33AA	70-240	70-185	70-240	33	2	36	19
SBTAA2HM38AA	120-300	120-240	120-300	38	2	40	22
SBTAA3KN42AA	185-400	185-300	185-400	42	3	43	22
SBTAA3LR52AA	300-630	300-500	300-630	52	3	56	24

Part no.	Dimensions (mm)			
	L	D	W	H
SBTAA1CG24AA	64.5	24	24	13
SBTAA1DJ28AA	72.5	28	28	17
SBTAA2FL33AA	97.5	33	33	17
SBTAA2HM38AA	106.5	38	38	17
SBTAA3KN42AA	120	42	42	17
SBTAA3LR52AA	140	52	52	17

Dimensions



We reserve the right to make technical changes or modify the contents of this document without prior notice. With regard to purchase orders, the agreed particulars shall prevail. ABB AG does not accept any responsibility whatsoever for potential errors or possible lack of information in this document.

We reserve all rights in this document and in the subject matter and illustrations contained therein. Any reproduction, disclosure to third parties or utilisation of its contents – in whole or in parts – is forbidden without prior written consent of ABB AG.
Copyright © 2024 ABB
All rights reserved