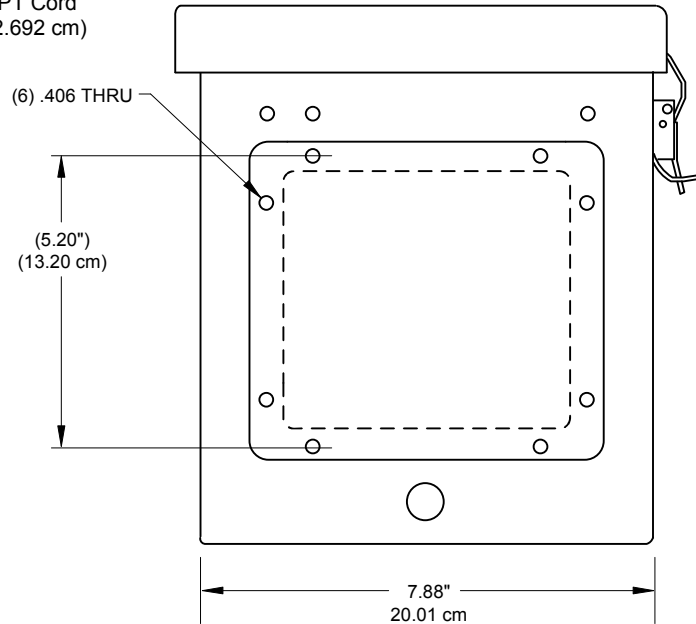


(4) Holes for .75 NPT Cord Connector (1.06" / 2.692 cm)



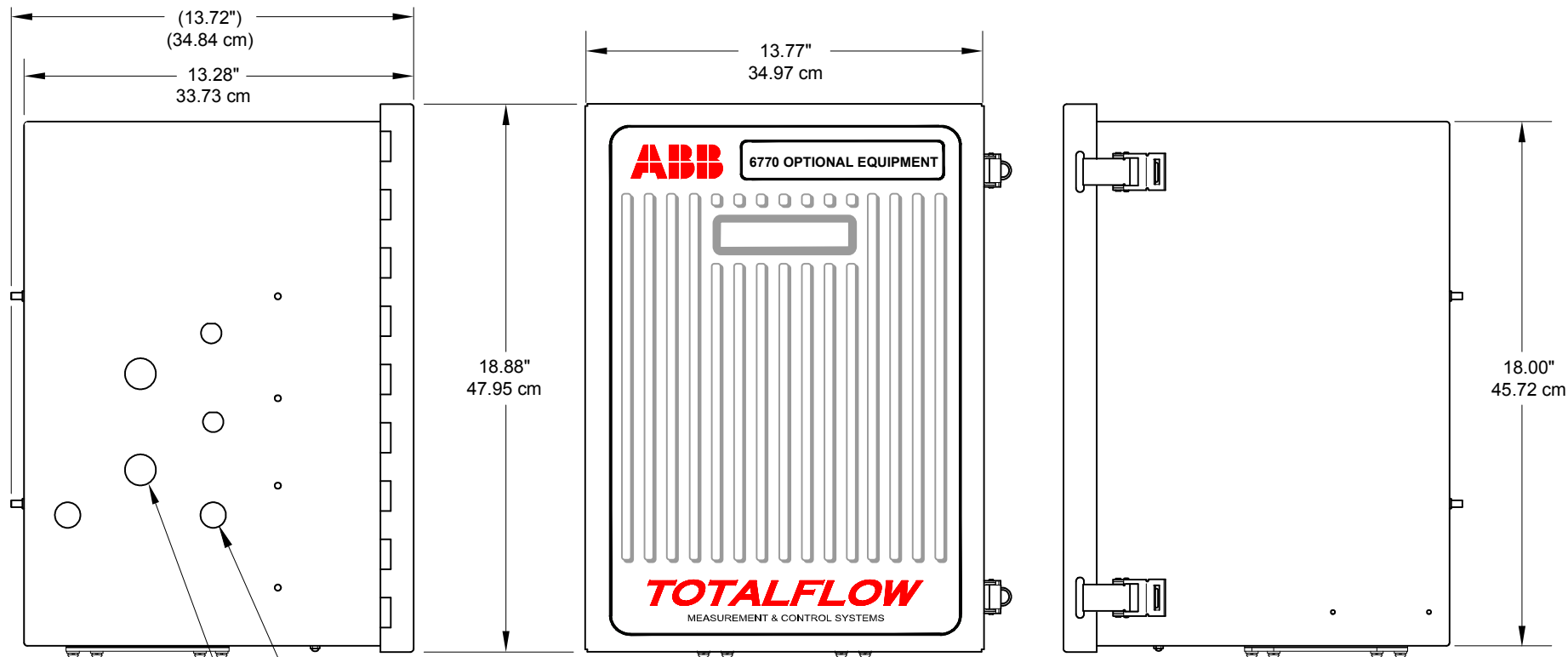
### 6270 Power Supply Enclosure

#### NOTES:

1. **WARNING:** This drawing does not illustrate completely the installation methods required for hazardous locations. Prior to any installation in a Classified Hazardous Location, verify installation methods by the Control Drawing referenced on the product's name tag and national and local codes.

REF: 2100934, 2102989

<b>ABB</b>	TOTALFLOW	ACTION	DOC TYPE	TITLE	DWG NO.	REV	SHEET
	Products	D21585	UD	NGC POWER ENCLOSURE MEASUREMENTS	2103339	AB	1 OF 2



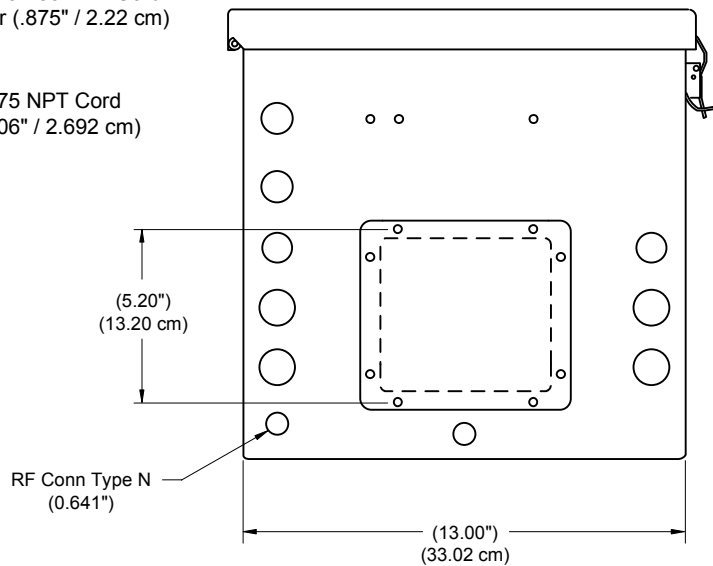
(6) Holes for .50 NPT Cord Connector (.875" / 2.22 cm)

(6) Holes for .75 NPT Cord Connector (1.06" / 2.692 cm)

**6770 Power Supply Enclosure**

**NOTES:**

1. **WARNING:** This drawing does not illustrate completely the installation methods required for hazardous locations. Prior to any installation in a Classified Hazardous Location, verify installation methods by the Control Drawing referenced on the product's name tag and national and local codes.



REF: 2102976

<b>ABB</b> TOTALFLOW Products	ACTION	DOC TYPE	TITLE	DWG NO.	REV	SHEET
	D21585	UD	NGC POWER ENCLOSURE MEASUREMENTS	2103339	AB	2 OF 2