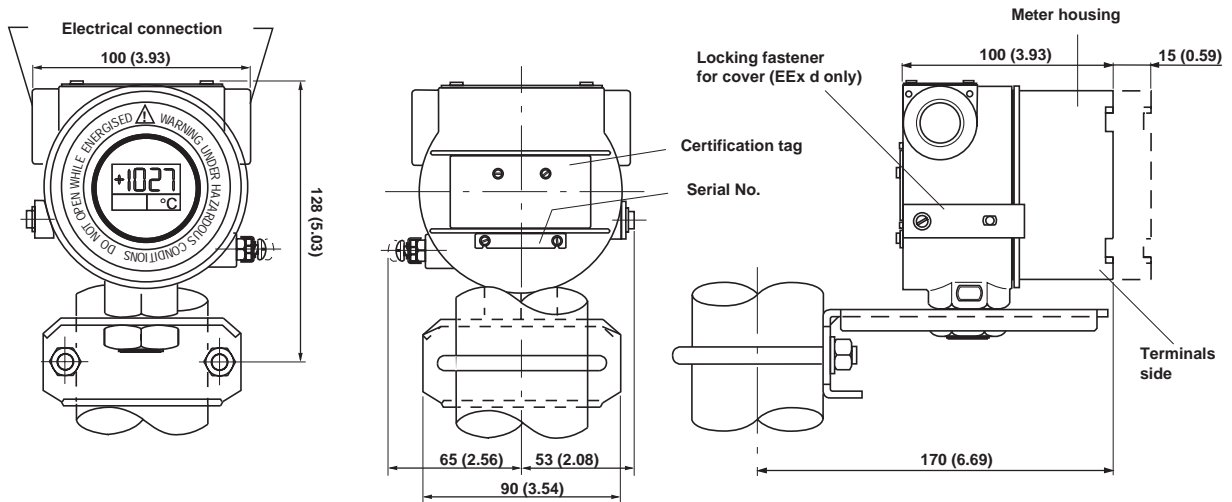


600T Series Transmitters

Model 653T

Electronic temperature transmitter

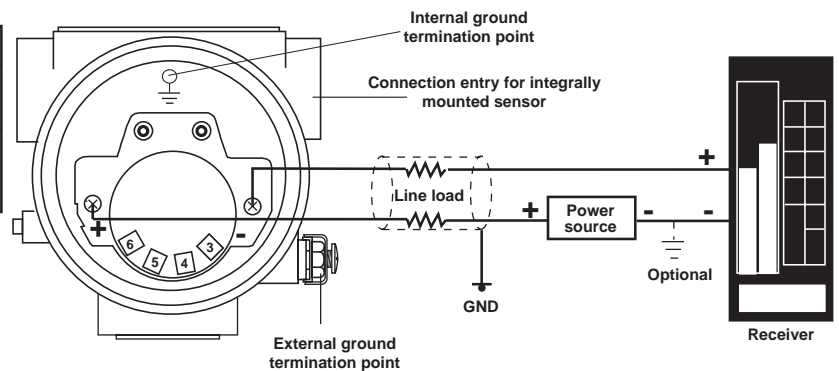
MOUNTING DIMENSIONS



ELECTRICAL CONNECTIONS

INPUT TYPE	TERMINAL CONNECTION
Thermocouple and voltage	Terminal 5 = positive Terminal 4 = negative
Resistance thermometer and Linear resistance	Terminal 3 and 6 = inputs Terminal 4 = 3rd wire (if any) Terminal 5 = 4th wire (if any)

NOTE: Use terminals 3 and 6 for external CJC of thermocouple (if any by Pt 100)



Electrical connections

Two 1/2 NPT or M20 x 1.5 or PG 13.5 or 1/2 GK threaded conduit entries, direct on housing, both available for output/supply signal when the sensor is mounted remotely. Alternatively, one 1/2 NPT threaded entry for integrally mounted sensor and one 1/2 NPT or M20 x 1.5 or PG 13.5 or 1/2 GK threaded entry for output/supply signal, direct on housing.

Terminal block

- two terminals for 4-20 mA output/supply signal wiring up to 2.5 mm² (14 AWG) and two jacks compatible with 3 mm dia miniature plugs.
- four terminal for input signal wiring up to 1.5 mm² (16 AWG)

Grounding

Internal and external 6 mm² (10 AWG) ground termination points are provided