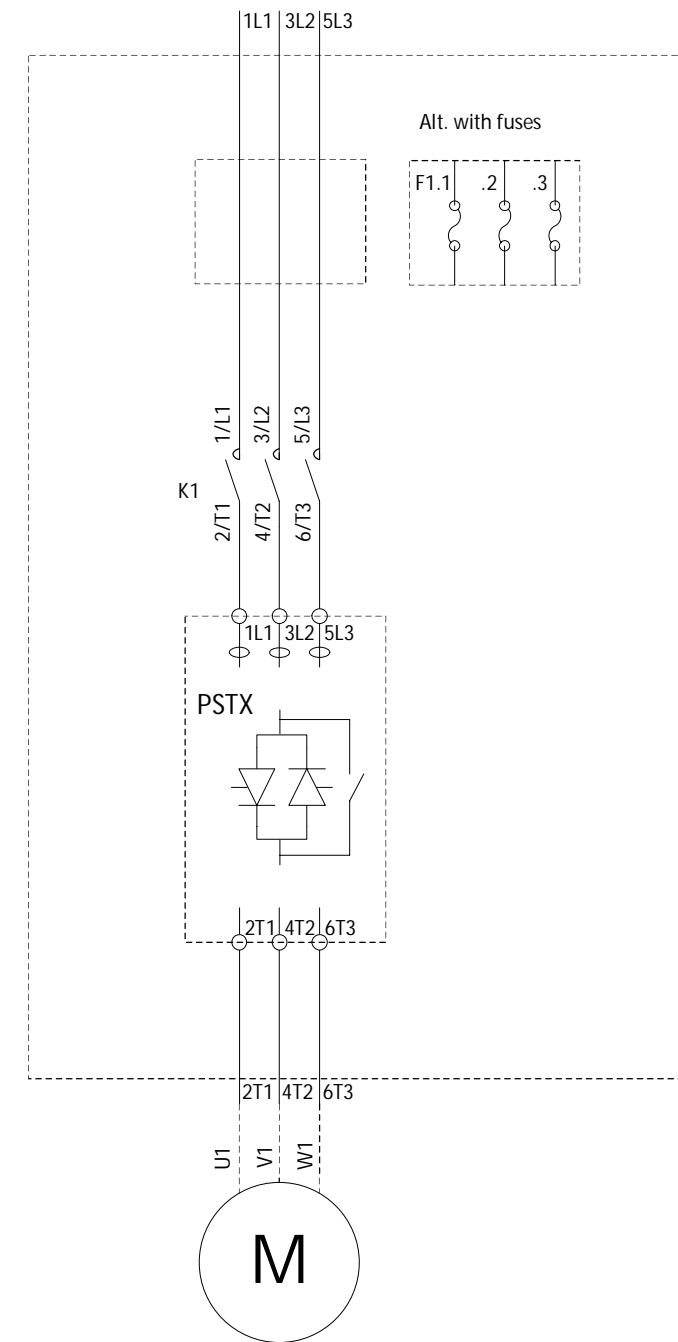
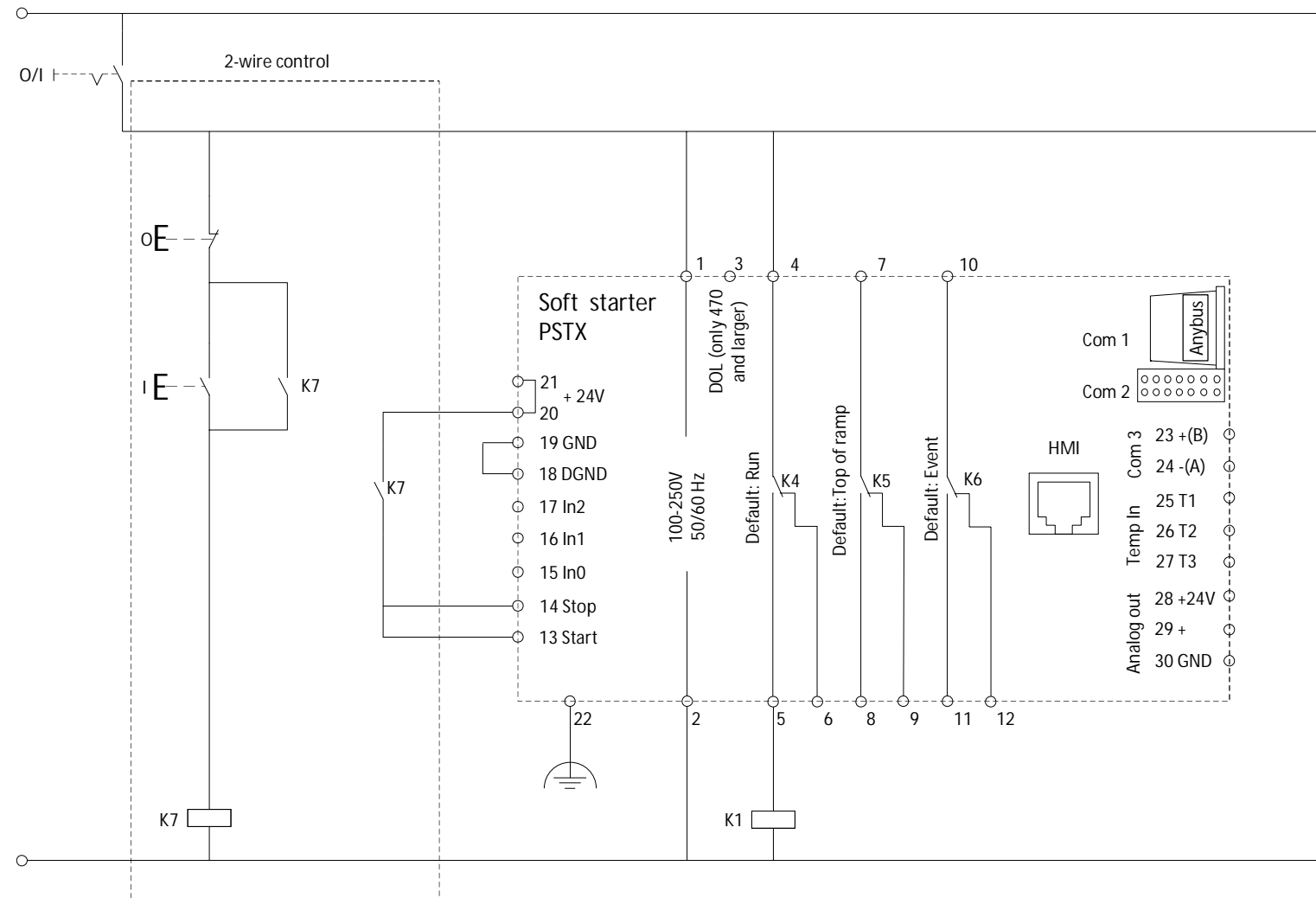


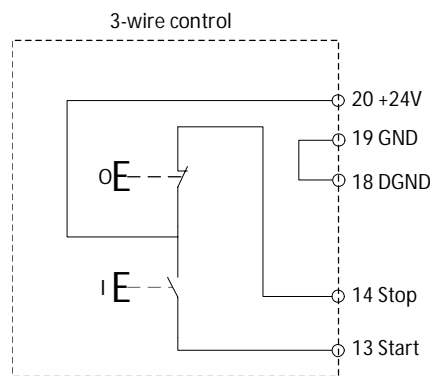
Rev	Pos	Description	Date	Sign.

In Line with main contactor closed only during operation.



Coil consumption for main contactors.  
 Pull-in max 15A  
 Holding max 1.5A

If the pull-in or holding values are higher, the main contactors must be controlled via an auxiliary contactor.



We reserve all rights in this document and in the information contained therein. Reproduction, use or disclosure to third parties without express authority is strictly forbidden. Copyright ABB.

We reserve all rights in this document and in the information contained therein. Reproduction, use or disclosure to third parties without express authority is strictly forbidden. Copyright ABB.

Proprietary and secret information

Created By Björn Johansson	State Approved	Responsible dep RE	Title Application diagram PSTX in line	Lang EN
Approved By David Wikström	Approved Date 161019	Revision B	Document Number 1SFB536005G5006	
ABB AB, Control Products				Size A3
				Sheet 1 of 1