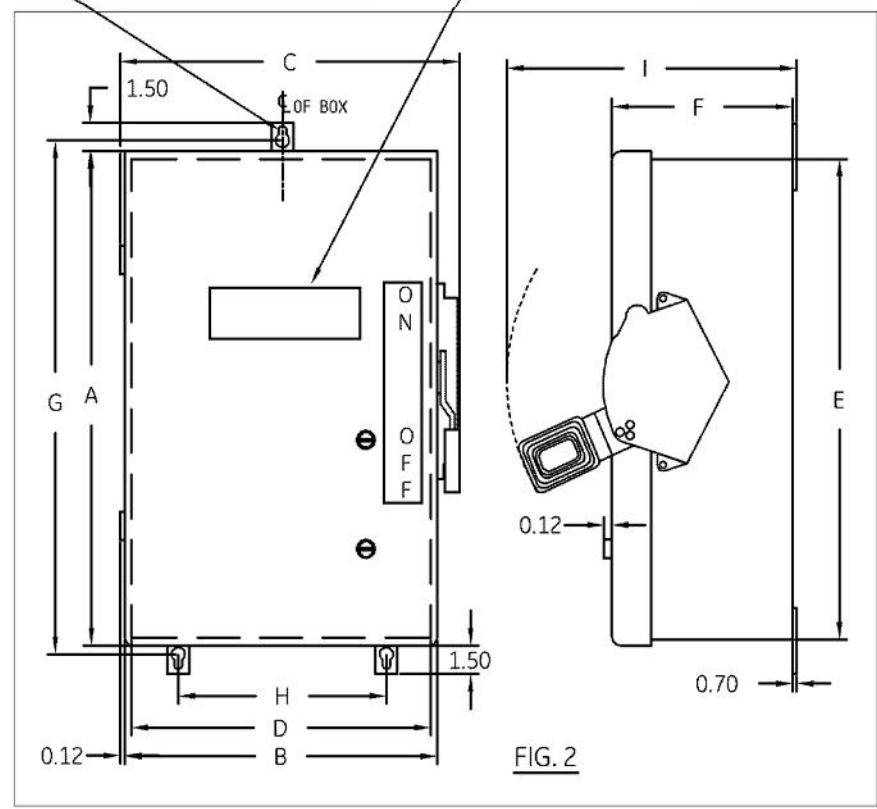
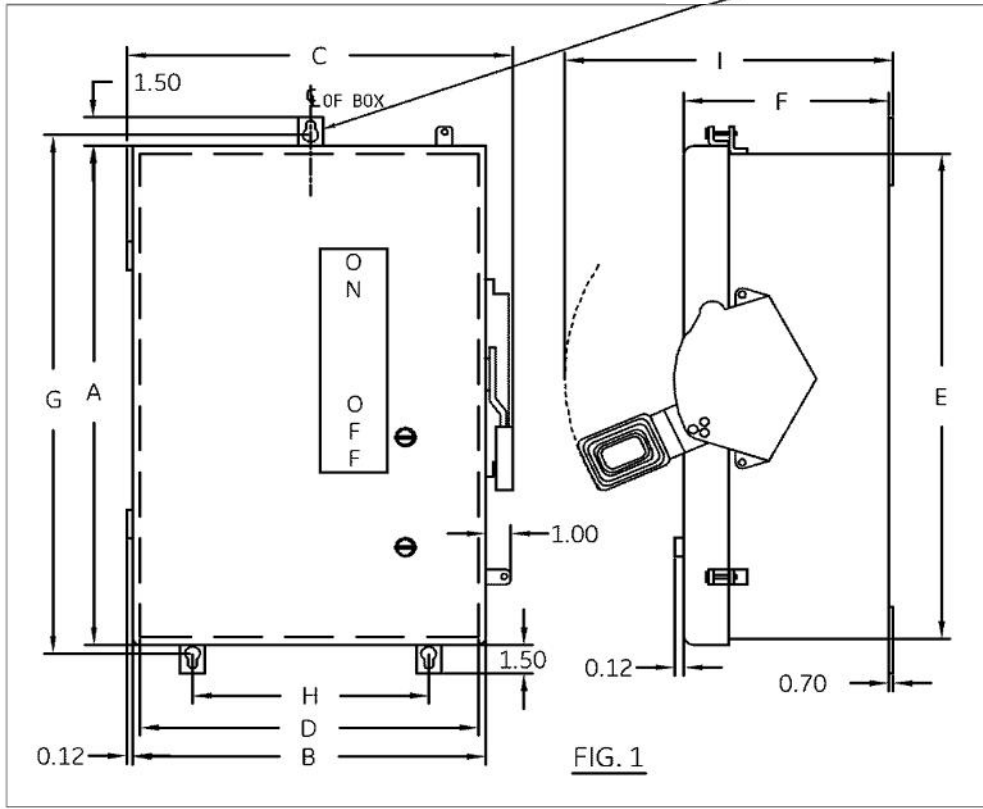


WINDOW FOR THXXXXMW CATALOGS.



**DIMENSION TABLE**

GCAT NO.	FIG.	A	B	C	D	E	F	G	H	I
TH3321MSS/TH2221MSS	1	11.32	7.38	8.05	7.10	11.04	4.74	11.61	4.50	9.82
TH2222MSS/TH3322MSS	1	19.32	9.38	14.05	9.10	19.04	4.99	19.61	6.50	10.07
THN3361MSS/TH3361MSS/TH3362MSS/ THN3362MSS	1	19.32	9.38	14.05	9.10	19.04	4.99	19.61	6.50	10.07
TH3321M/TH2221M	1	11.32	7.38	8.05	7.10	11.04	4.74	11.61	4.50	9.87
THN2261MDC/THN2262MDC/TH2262MDC TH3361M/THN3361M/TH3362M/THN3362M/ TH2222M/TH3322M/TH2261MDC	1	19.32	9.38	14.05	9.10	19.04	4.99	19.61	6.50	10.12
TH3322MW/TH3362MSSW/THN3361MSSW/ THN3362MW/TH3361MW	2	19.32	9.38	14.05	9.10	19.04	4.99	19.61	6.50	10.12

**NOTE:**  
1. ALL DIMENSIONS ARE IN INCHES.  
2. ALL DIMENSIONS HAVE ±0.125 TOLERANCE.



**OUTLINE DRAWING-MILL DUTY SAFETY SWITCH  
30 & 60A, NEMA - TYPE 12 ENCLOSURE**

THIRD ANGLE	SHEET#	DWG NO.	DATE	REV
	1 of 1	10103091SH123	Jan-04-24	G