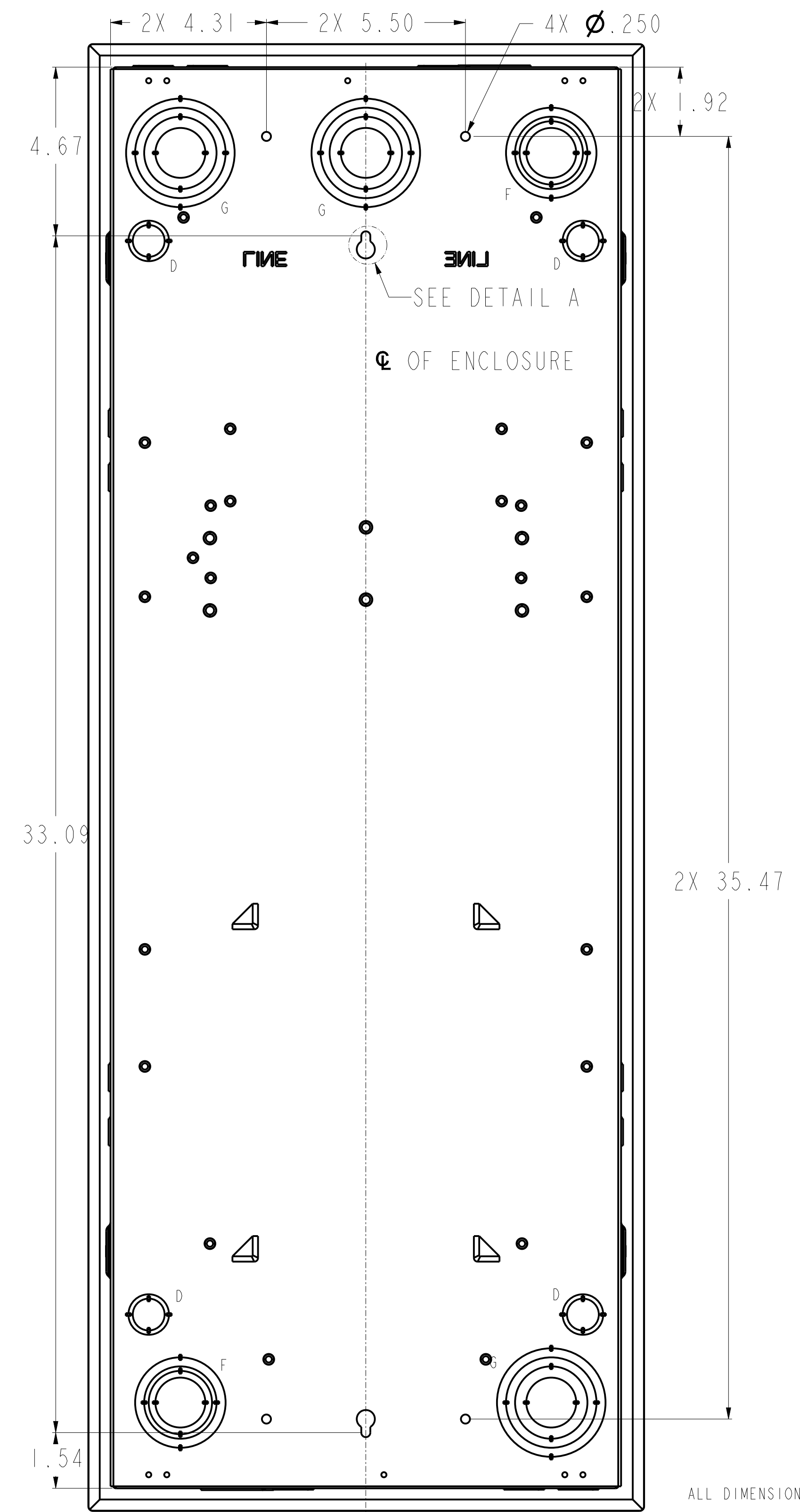
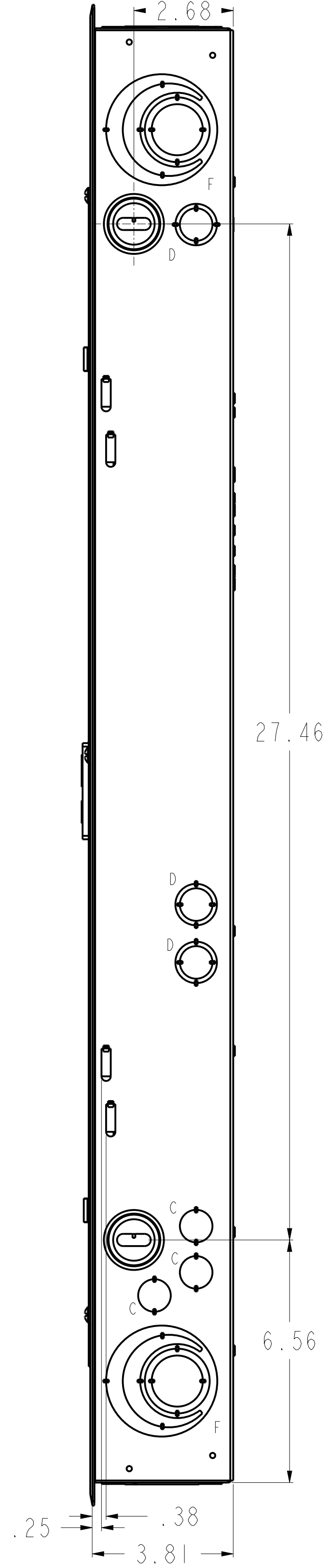
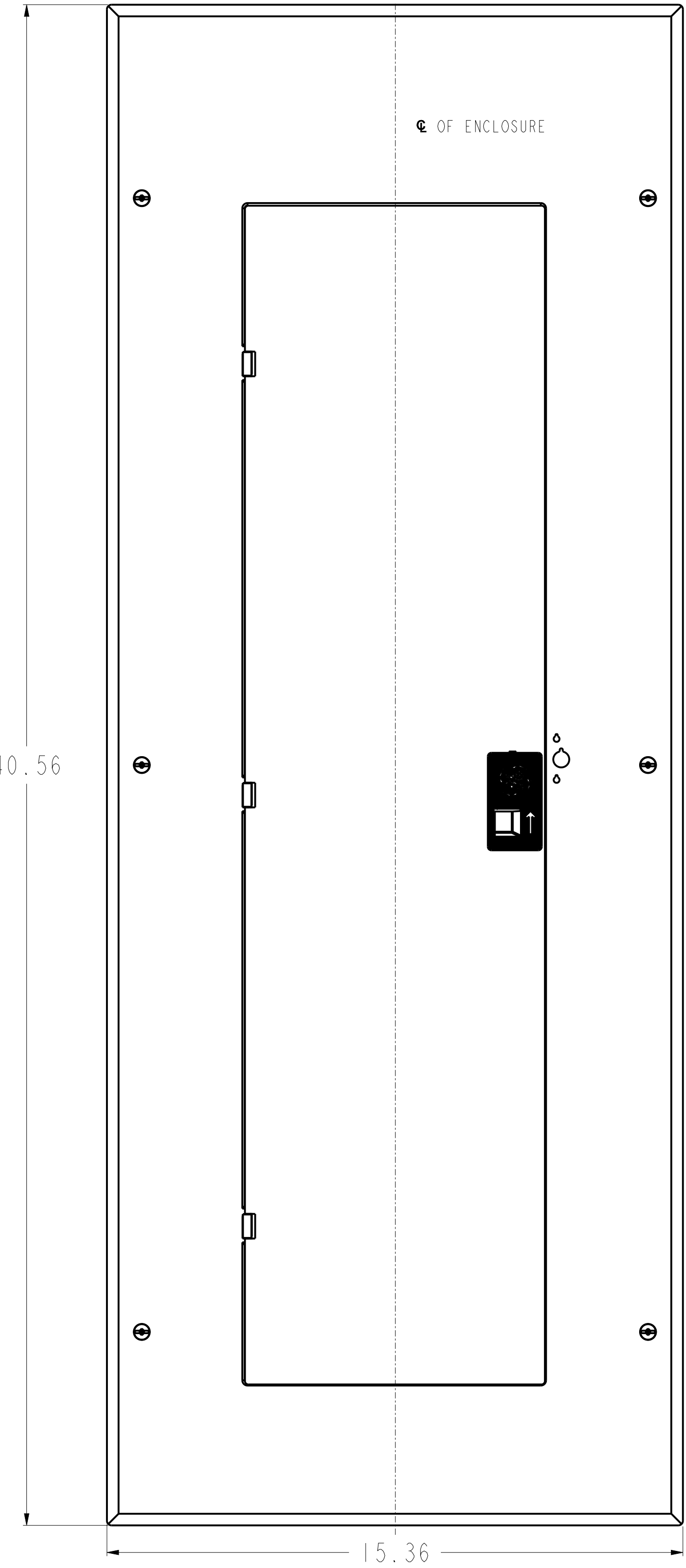
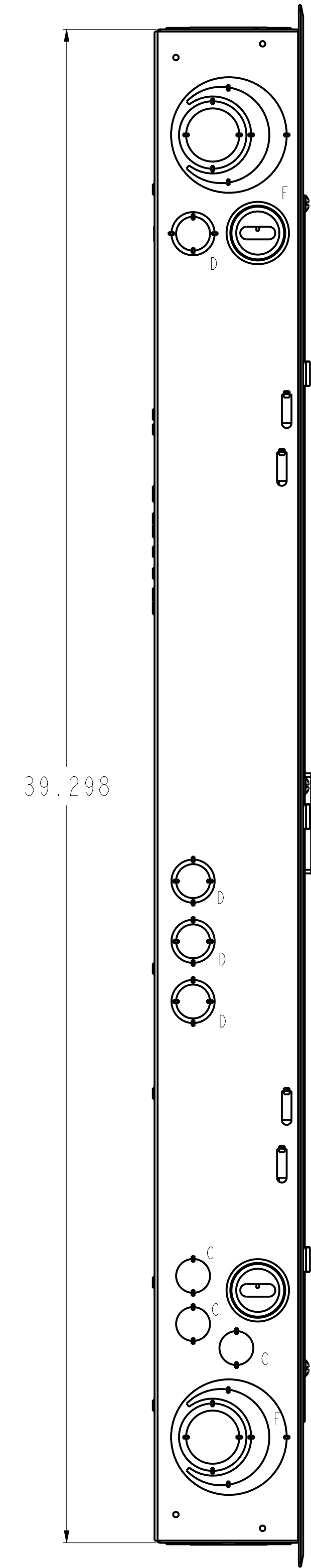
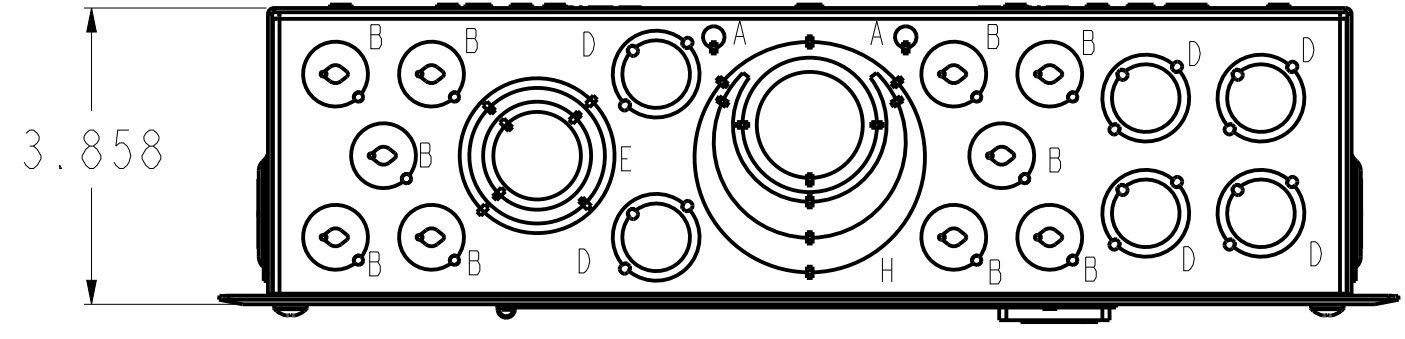
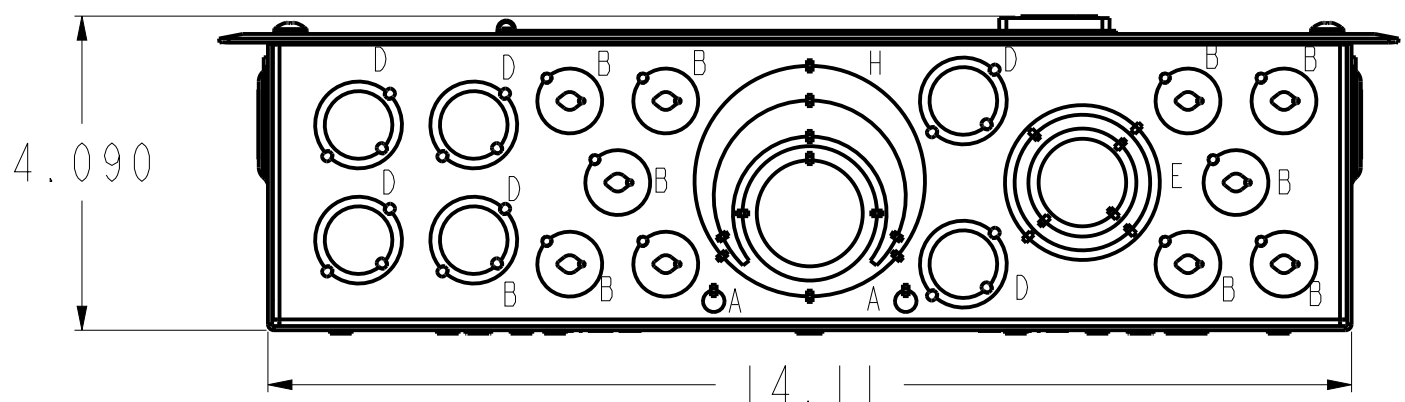


18 17 16 15 14 13 12 11

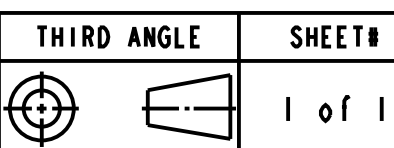
CAT. NO.	MODEL
PLM4020C	I
PLM4020W	I
PM4015C	I
PM4015W	I
PM4020C	I
PM4020W	I



ALL DIMENSION HAVE +/- .125 TOLERANCE



KNOCKOUT TABLE		
SYMBOL	SIZE	QTY
A	9/32 KO	4
B	1/2 KO DIAMOND	20
C	1/2 KO	6
D	1/2 3/4 KO	23
E	3/4 - 1 - 1 1/4 - 1 1/2 KO	7
F	1 - 1 1/4 - 1 1/2 - 2 KO	2
G	1 - 1 1/4 - 1 1/2 - 2 - 2 1/2 KO	3
H	1 x 1 1/4 - 1 1/2 - 2 - 2 1/2 KO	6



ABB

40 CKT, 100/125A OUTLINE DRAWING
INDOOR LOAD CENTER ASM ENCLOSURE 39.19"

DWG NO.	DATE	REV
10103091SH257	28-Jan-22	I

18 17 16 15 14 13 12 11