

---

 TECHNICAL DATA SHEET

# PMA Automation - BGN - Half-shell inserts

## PMA


**Applications:**

- In automation applications

**Features & Benefits:**

- Easy installation
- To be used in combination with tube clamp BSH
- Slide half-shells allow axial movement of the conduit to reduce stress
- Strain relief half-shells fix the conduit against axial movement but allow rotation to prevent torsion
- Half-shell reduction BGN-R56G/70 allows the use of conduit with NW56 and can be used with following products:
  - ball joint sleeve TK with strain relief insert BTR
  - ball joint termination BKE

**Materials:**

- High-grade, specially formulated polyamide 6

**Compatible with:**

- PMA Automation BSH Tube clamp
- PMAFLEX Pro Conduits
- PMAFLEX Multilayer Conduits
- PMAFLEX Conduits

**Weathering resistance:**

- Very good UV resistance and weathering characteristics

**Colour:**

- Black

**Chemical properties:**

- Please refer to [www.pma.ch](http://www.pma.ch) (Technical Information / Chemical Resistance)

**Environmental properties:**

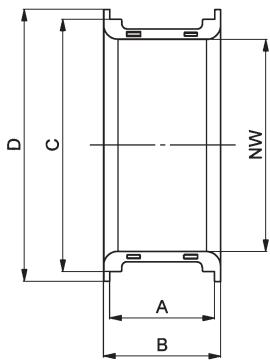
- Free from halogens and cadmium
- RoHS and REACH compliant

**Product selection:**

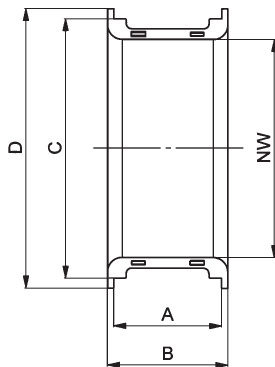
Part no.			Conduit profile	Conduit size	Dimensions in mm (nom.)				Weight kg/100 pcs	Packing unit pcs/PU
strain relief	slide	reduction			A	B	C	D		
BGN-S23T			T	23	26	34.0	34.5	39.5	1.3	30
BGN-S23G			G	23	26	34.0	34.5	39.5	1.3	30
BGN-S29T			T	29	26	34.0	41.0	47.0	1.5	30
BGN-S29G			G	29	26	34.0	41.0	47.0	1.5	30
	BGN-R29		T + G	29	26	34.0	41.0	47.0	1.5	30
BGN-R36GT/48	BGN-R36/48		T + G	36	26.5	34.0	60.0	66.5	3.5	20
BGN-S36T			T	36	26	36.5	49.0	55.0	1.9	20
BGN-S36G			G	36	26	34.0	49.0	55.0	1.9	20
	BGN-R36		T + G	36	26	36.0	49.0	55.0	2.0	20
BGN-S48T			T	48	26	34.0	60.5	66.5	2.3	20
BGN-S48G			G	48	26	34.0	60.5	66.5	2.3	20
	BGN-R48		T + G	48	26	34.0	60.5	66.5	2.3	20
BGN-S56G	BGN-R56		G	56	30	38.0	75.0	81.0	3.8	10
BGN-R56G/70			G	56	40	45.0	94.5	103.5	10.2	10
	BGN-R56S/70		G	56	40	45.0	94.5	103.5	10.2	10
			G	56	27	35.0	76.0	80.0	10.2	10
BGN-R70G	BGN-R70	BGN-R56G/70G	G	70	40	45.0	94.5	103.5	7.5	10

Our customer service dept. or local distribution partner will be pleased to help you concerning product availability and lead time

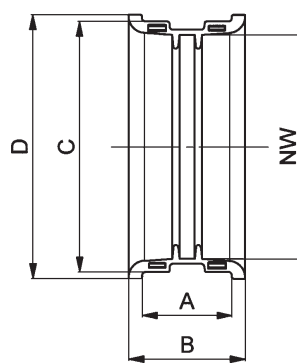
Strain relief



Slide



Reduction



Mechanical Properties:	Value:	Test parameters:	Test method:
Tensile modulus	1'200 ... 3'700 N/mm <sup>2</sup>		ISO 527
Tensile strength	45 ... 65 N/mm <sup>2</sup>		ISO 527
Notched bar impact test	4 ... 20 kJ/m <sup>2</sup>		ISO 180/1C
Vibration and shock standard		Cat. 2	IEC 61373, IEC 60068-2-27 / -64

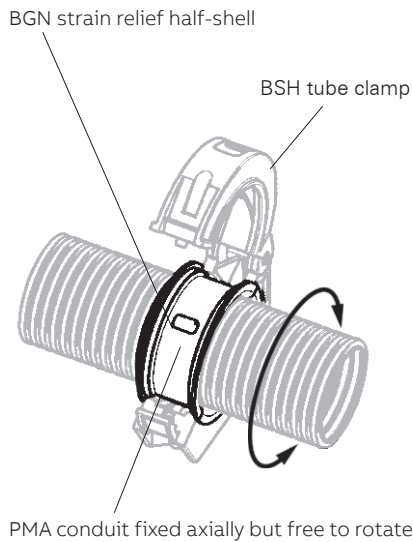
Thermal properties:	Value:	Test parameters:	Test method:
Continuous application temperature	-50 ... +105°C		PMA DO 9.21-4510
Upper application temperature	+120°C	(20'000 h)	PMA DO 9.21-4360
Short-term	+160°C	(168 h)	PMA DO 9.21-4360

**Content of delivery:**

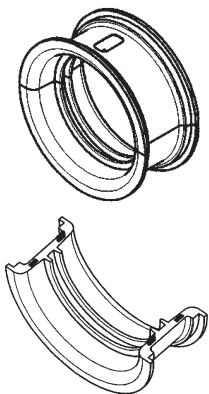
- 1 pair half-shells

**Examples for combination possibilities**

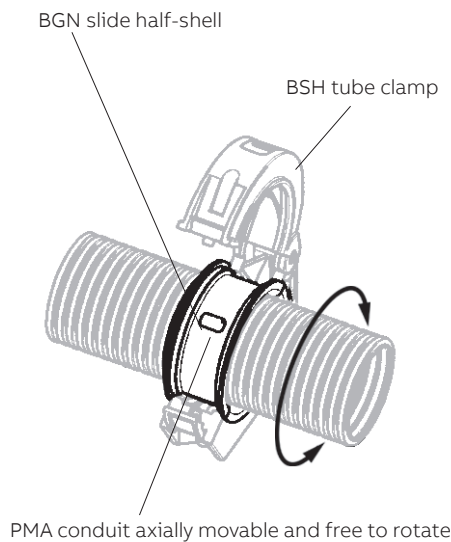
**Strain relief half-shell**



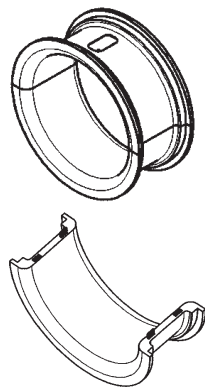
**BGN-xxxG, BGN-xxxT**



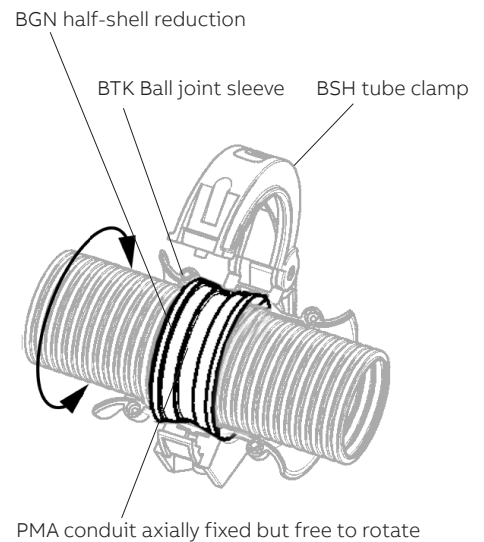
**Slide half-shell**



**BGN-Rxx**



**Half-shell reduction**



**BGN-R56G/70G**

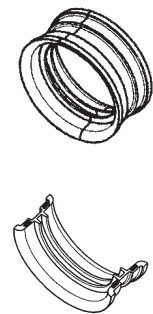


ABB Switzerland Ltd,  
PMA Cable Protection  
Aathalstrasse 90  
8610 Uster, Switzerland  
Phone: +41 58 585 00 11  
pma-info@ch.abb.com  
www.pma.ch

Let's write the future.  
Together. **abb.com**

We reserve the right to make technical changes or modify the contents of this document without prior notice. With regard to purchase orders, the agreed particulars shall prevail. ABB Installation Products Inc. does not accept any responsibility whatsoever for potential errors or possible lack of information in this document.

We reserve all rights in this document and in the subject matter and illustrations contained therein. Any reproduction, disclosure to third parties or utilization of its contents – in whole or in parts – is forbidden without prior written consent of ABB Inc. Copyright© 2019 ABB Installation Products Inc. All rights reserved

