

H G F E D C B A

4

3

2

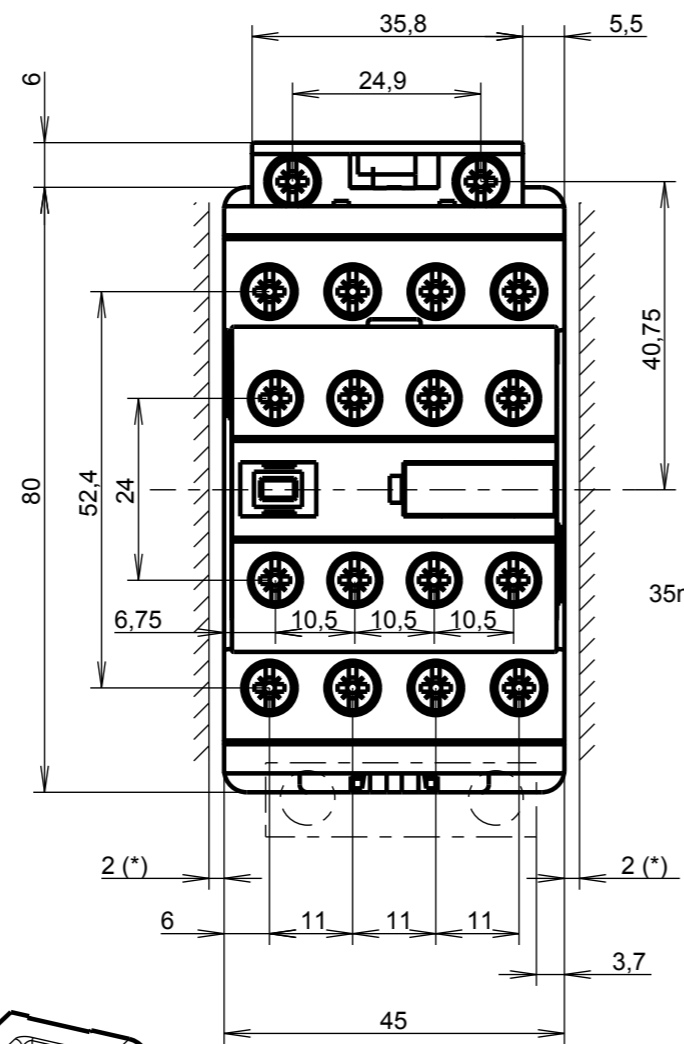
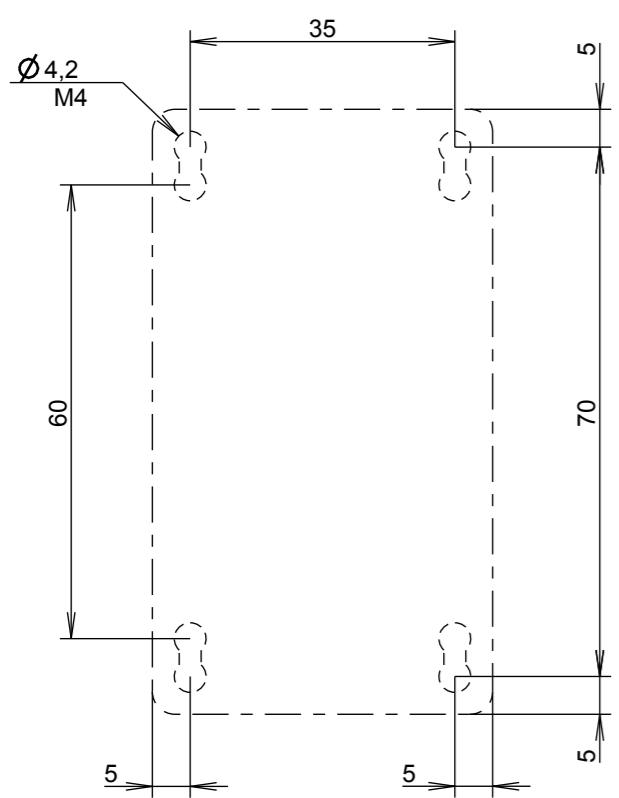
1

4

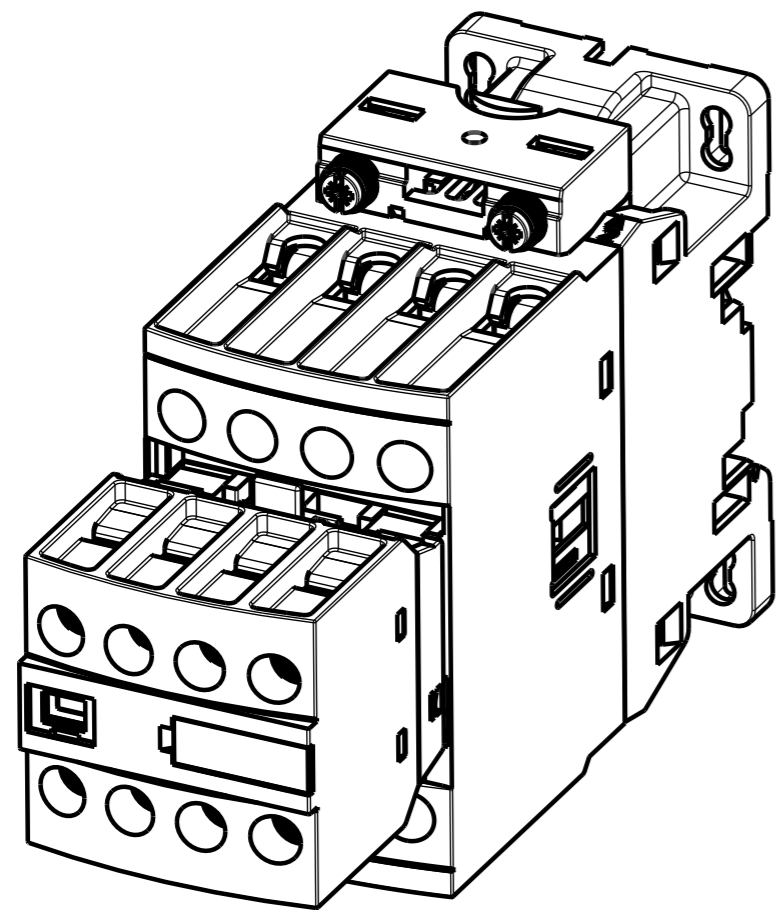
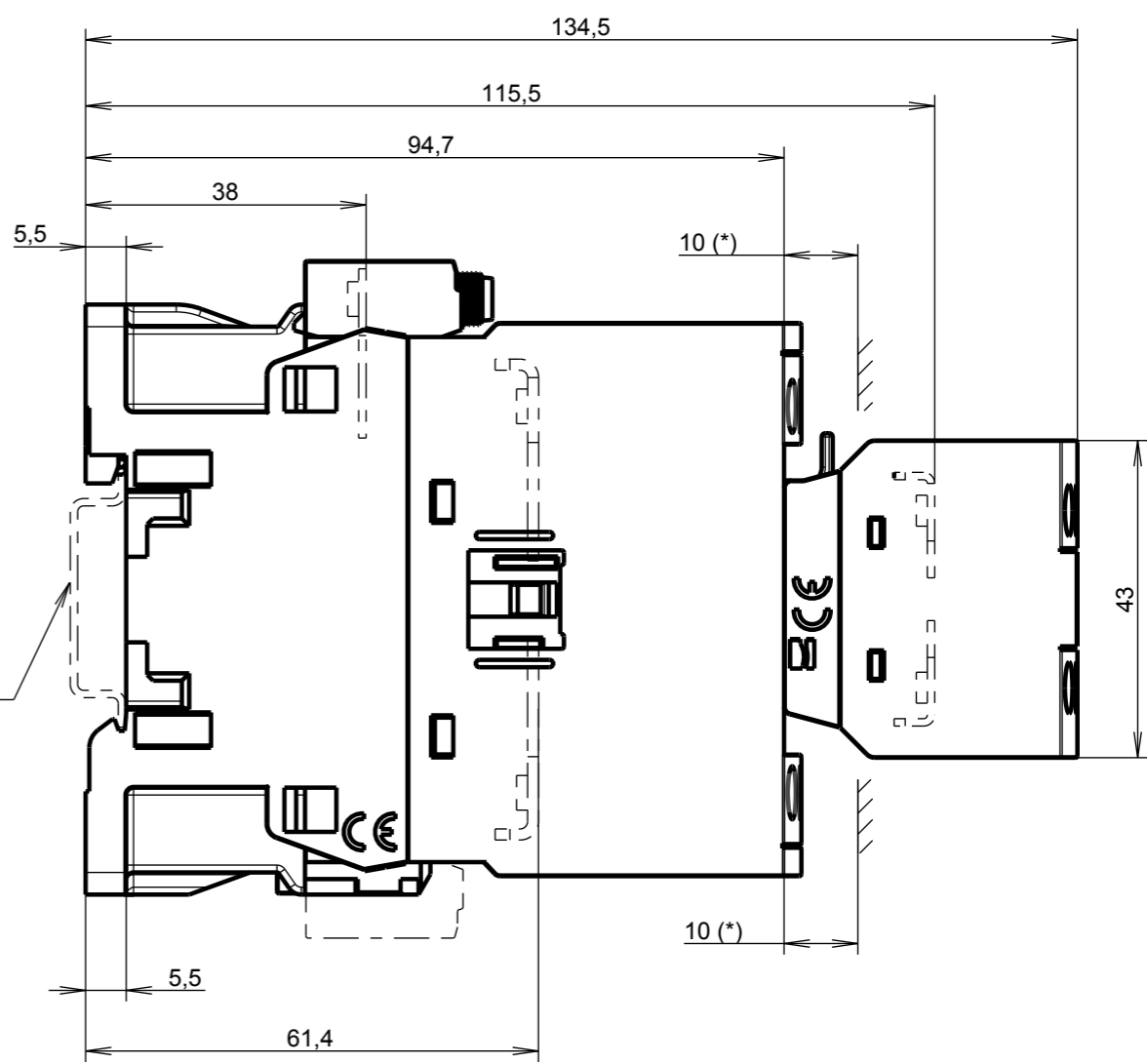
3

2

1



35mm EN/IEC 60715



(*) : minimum distance to grounded component

SQR Number: -					
A	Mise à jour cartouche	17/10/2012	ECN 501255	Eric Nguyen	Gérard Valendru
Modif	Description	DATE	N°ECN	Author	Control
		Author	Creation	Control	Observations: -
		Pacheco R	11/11/2011	Valendru G	
Title : 1-Stack 4-POLE AF26...38..RT + 4-POLE CA4..RT		Running number	Doc	Size	Type
ENCOMBREMENT / DIMENSIONS+DRILLING		1SBB505090D3503		N°Page	Rev
				1	A

H G F E D C B A

The information contained in this document is to be kept strictly confidential. Any unauthorized use, reproduction, distribution or disclosure is strictly forbidden. ABB reserves all rights. © Copyright 2012 ABB. All rights reserved.