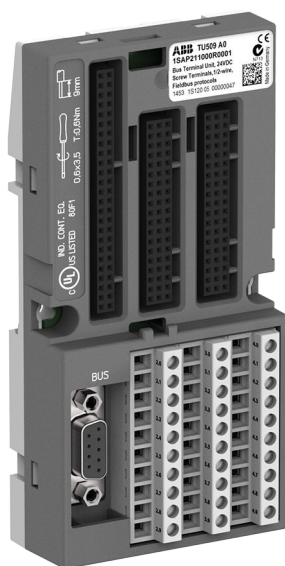


DATA SHEET

TU509, TU510

Terminal unit



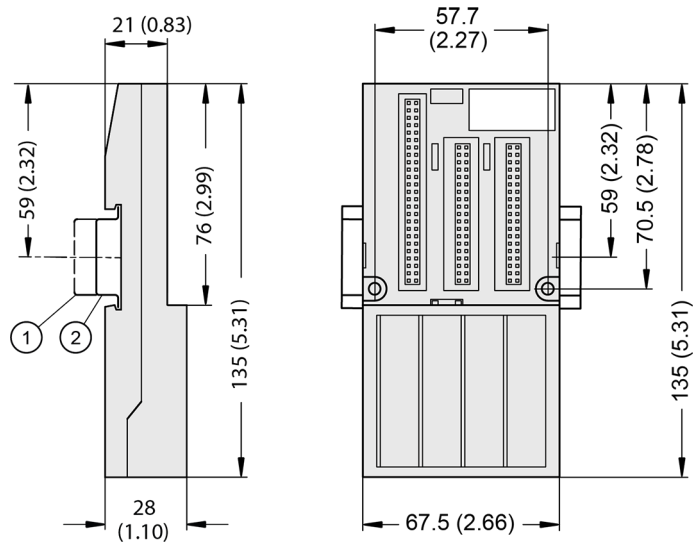
1 Ordering data

Part no.	Description	Product life cycle phase *)
1SAP 211 000 R0001	TU509, terminal unit, 24 V DC, screw terminals	Active
1SAP 210 800 R0001	TU510, terminal unit, 24 V DC, spring terminals	Active
1SAP 410 800 R0001	TU510-XC, terminal unit, 24 V DC, spring terminals, XC version	Active



*) Modules in lifecycle Classic are available from stock but not recommended for planning and commissioning of new installations.

2 Dimensions



- 1 Din rail 15 mm
- 2 Din rail 7.5 mm



The dimensions are in mm and in brackets in inch.

3 Technical data

The system data of AC500 and S500 are applicable to the standard version ↗ *Chapter 4 “System data AC500” on page 3.*

The system data of AC500-XC are applicable to the XC version ↗ *Chapter 5 “System data AC500-XC” on page 8.*

Only additional details are therefore documented below.

The technical data are also applicable to the XC version.

Parameter	Value
Number of I/O channels per module	Max. 24 (depending on the inserted communication interface module)
Distribution of the channels into groups	3 groups of max. 8 channels each (2.0 ... 2.7, 3.0 ... 3.7, 4.0 ... 4.7), the allocation of the channels is given by the inserted communication interface module
Network interface connector	9-pin D-sub connector, female
Rated voltage	24 V DC
Max. permitted total current	10 A via the supply terminals (UP, UP3 and ZP)
Grounding	Direct connection to the grounded DIN rail or via the screws with wall mounting
Screw terminals	Front terminal, conductor connection vertically with respect to the printed circuit board

Parameter	Value
Spring terminals	Front terminal, conductor connection vertically with respect to the printed circuit board
Weight	200 g
Mounting position	Horizontal or vertical

4 System data AC500

4.1 Environmental conditions

Table 1: Process and supply voltages

Parameter	Value
24 V DC	
Voltage	24 V (-15 %, +20 %)
Protection against reverse polarity	Yes
120 V AC	
Voltage	120 V (-15 %, +10 %)
Frequency	50/60 Hz (-6 %, +4 %)
230 V AC	
Voltage	230 V AC (-15 %, +10 %)
Frequency	50/60 Hz (-6 %, +4 %)
120 V AC...240 V AC wide-range supply	
Voltage	120 V ... 240 V (-15 %, +10 %)
Frequency	50/60 Hz (-6 %, +4 %)
Allowed interruptions of power supply, according to EN 61131-2	
DC supply	Interruption < 10 ms, time between 2 interruptions > 1 s, PS2
AC supply	Interruption < 0.5 periods, time between 2 interruptions > 1 s



NOTICE!

Risk of damaging the PLC due to improper voltage levels!

- Never exceed the maximum tolerance values for process and supply voltages.
- Never fall below the minimum tolerance values for process and supply voltages. Observe the **system data** ↗ Chapter 4 “System data AC500” on page 3 and the **technical data** of the module used.



NOTICE!

Improper voltage level or frequency range which cause damage of AC inputs:

- AC voltage above 264 V
- Frequency below 47 Hz or above 62.4 Hz



NOTICE!

Improper connection leads cause overtemperature on terminals.

PLC modules may be destroyed by using wrong cable type, wire size and cable temperature classification.

Parameter		Value
Temperature		
	Operating	0 °C ... +60 °C: Horizontal mounting of modules. 0 °C ... +40 °C: Vertical mounting of modules. Output load reduced to 50 % per group.
	Storage	-40 °C ... +70 °C
	Transport	-40 °C ... +70 °C
Humidity		Max. 95 %, without condensation
Air pressure		
	Operating	> 800 hPa / < 2000 m
	Storage	> 660 hPa / < 3500 m

4.2 Creepage distances and clearances

The creepage distances and clearances meet the requirements of the overvoltage category II, pollution degree 2.

4.3 Insulation test voltages, routine test

According to EN 61131-2

Parameter	Value	
230 V circuits against other circuitry	2500 V	1.2/50 µs
120 V circuits against other circuitry	1500 V	1.2/50 µs
120 V ... 240 V circuits against other circuitry	2500 V	1.2/50 µs
24 V circuits (supply, 24 V inputs/outputs, analog inputs/outputs), if they are galvanically isolated against other circuitry	500 V	1.2/50 µs
COM interfaces, galvanically isolated	500 V	1.2/50 µs
Ethernet	500 V	1.2/50 µs
230 V circuits against other circuitry	1350 V	AC 2 s

Parameter	Value	
120 V circuits against other circuitry	820 V	AC 2 s
120 V ... 240 V circuits against other circuitry	1350 V	AC 2 s
24 V circuits (supply, 24 V inputs/outputs, analog inputs/outputs), if they are galvanically isolated against other circuitry	350 V	AC 2 s
COM interfaces, galvanically isolated	350 V	AC 2 s
Ethernet	350 V	AC 2 s

According to
IEC 61010-2-201



The content of the following table is only valid for PM56xx, CM56xx and TB56xx.

Table 2: Insulation, test voltages and continuous voltages

	Insulation	Test Voltage	Continuous Voltage
COM interfaces, galvanically isolated	1.1 mm	1216 V DC (60 s) 1500 V (1.2/50µs)	75 V
CAN interface, galvanically isolated	1.1 mm	1216 V DC (60 s) 1500 V (1.2/50µs)	75 V
Ethernet	1.1 mm	1500 V rms (50-60 Hz, 60 s) 2400 V (1.2/50µs)	On request


4.4 Power supply units

For the supply of the modules, power supply units according to SELV or PELV specifications must be used.



Safety Extra Low Voltage (SELV) and Protective Extra Low Voltage (PELV)

To ensure electrical safety of AC500/AC500-eCo extra low voltage circuits, 24 V DC supply, communication interfaces, I/O circuits, and all connected devices must be powered from sources meeting requirements of SELV, PELV, class 2, limited voltage or limited power according to applicable standards.

	<p>WARNING!</p> <p>Improper installation can lead to death by touching hazardous voltages!</p>
	<p>To avoid personal injury, safe separation, double or reinforced insulation and separation of the primary and secondary circuit must be observed and implemented during installation.</p> <ul style="list-style-type: none"> – Only use power converters for safety extra-low voltages (SELV) with safe galvanic separation of the primary and secondary circuit. – Safe separation means that the primary circuit of mains transformers must be separated from the secondary circuit by double or reinforced insulation. The protective extra-low voltage (PELV) offers protection against electric shock.

4.5 Electromagnetic compatibility

Table 3: Range of use

Application
Device suitable only as <i>Control Equipment for Industrial Applications</i> .

Table 4: Immunity against electrostatic discharge (ESD), according to IEC 61000-4-2, zone B, criterion B

Parameter	Value
Electrostatic voltage in case of air discharge	8 kV
Electrostatic voltage in case of contact discharge	4 kV, in a closed control cabinet 6 kV ¹⁾
ESD with communication connectors	In order to prevent operating malfunctions, it is recommended, that the operating personnel discharge themselves prior to touching communication connectors or perform other suitable measures to reduce effects of electrostatic discharges.
ESD with connectors of terminal bases	The connectors between the terminal bases and processor modules or communication modules must not be touched during operation. The same is valid for the I/O bus with all modules involved.

¹⁾ High requirement for shipping classes are achieved with additional specific measures (see specific documentation).

Table 5: Immunity against the influence of radiated (CW radiated), according to IEC 61000-4-3, zone B, criterion A

Parameter	Value
Test field strength	10 V/m

Table 6: Immunity against fast transient interference voltages (burst), according to IEC 61000-4-4, zone B, criterion B

Parameter	Value
Power supply (DC)	2 kV
Power supply (AC)	2 kV
Digital inputs/outputs (24 V DC)	1 kV
Digital inputs/outputs (120 V AC ... 240 V AC)	2 kV

Parameter	Value
Analog inputs/outputs	1 kV
CS31 bus	1 kV
Serial RS-485 interfaces (COM)	1 kV
Serial RS-232 interfaces (COM)	1 kV
Ethernet	1 kV
I/O supply (DC-out)	1 kV

Table 7: Immunity against the influence of line-conducted interferences (CW conducted), according to IEC 61000-4-6, zone B, criterion A

Parameter	Value
Test voltage	3V zone B, 10 V is also met.
High energy surges	According to IEC 61000-4-5, zone B, criterion B
Power supply (DC)	1 kV CM / 0.5 kV DM ²⁾
DC I/O supply	0.5 kV CM / 0.5 kV DM ²⁾
Communication Lines, shielded	1 kV CM ²⁾
AC I/O unshielded ³⁾	2 kV CM / 1 kV DM ²⁾
I/O analog, I/O DC unshielded ³⁾	1 kV CM / 0.5 kV DM ²⁾
Radiation (radio disturbance)	According to IEC 55011, group 1, class A

²⁾ CM = Common Mode, DM = Differential Mode

³⁾ When DC I/O inputs are used with AC voltage, external filters limiting high energy surges to 1 kV CM / 0.5 DM are required to meet requirements according IEC 61131-2.

4.6 Mechanical data

Parameter	Value
Mounting	Horizontal
Degree of protection	PLC system: IP 20 <ul style="list-style-type: none"> ● with all modules plugged in ● with all terminals plugged in ● with all covers closed
Housing	Classification V-2 according to UL 94
Vibration resistance acc. to EN 61131-2	all three axes 2 Hz ... 8.4 Hz, continuous 3.5 mm 8.4 Hz ... 150 Hz, continuous 1 g (higher values on request)
Shock test	All three axes 15 g, 11 ms, half-sinusoidal
Mounting of the modules:	
DIN rail according to DIN EN 50022	35 mm, depth 7.5 mm or 15 mm
Mounting with screws	Screws with a diameter of 4 mm
Fastening torque	1.2 Nm

4.7 Approvals and certifications

Information on approvals and certificates can be found in the PLC Automation *catalog*, in the table "Certifications" in the chapter "Additional information".

5 System data AC500-XC



Assembly, construction and connection of devices of the variant AC500-XC is identical to AC500 (standard).

↪ Chapter 4 "System data AC500" on page 3

The following description provides information on general technical data of AC500-XC system.

5.1 Environmental conditions

Table 8: Process and supply voltages

Parameter	Value
24 V DC	
Voltage	24 V (-15 %, +20 %)
Protection against reverse polarity	Yes
120 V AC...240 V AC wide-range supply	
Voltage	120 ... 240 V (-15 %, +10 %)
Frequency	50/60 Hz (-6 %, +4 %)
Allowed interruptions of power supply	
DC supply	Interruption < 10 ms, time between 2 interruptions > 1 s, PS2



NOTICE!

Risk of damaging the PLC due to improper voltage levels!

- Never exceed the maximum tolerance values for process and supply voltages.
- Never fall below the minimum tolerance values for process and supply voltages.



NOTICE!

For the supply of the modules, power supply units according to PELV or SELV specifications must be used.



NOTICE!

Improper voltage level or frequency range which cause damage of AC inputs:

- AC voltage above 264 V
- Frequency below 47 Hz or above 62.4 Hz

**NOTICE!**

Improper connection leads cause overtemperature on terminals.

PLC modules may be destroyed by using wrong cable type, wire size and cable temperature classification.



The creepage distances and clearances meet the requirements of the overvoltage category II, pollution degree 2.

Parameter	Value
Temperature	
Operating	<p>-40 °C ... +70 °C</p> <p>-40 °C ... -30 °C: Proper start-up of system; technical data not guaranteed</p> <p>-40 °C ... 0 °C: Due to the LCD technology, the display might respond very slowly.</p> <p>-40 °C ... +40 °C: Vertical mounting of modules possible, output load limited to 50 % per group</p> <p>+60 °C ... +70 °C with the following deratings:</p> <ul style="list-style-type: none"> • System is limited to max. 2 communication modules per terminal base • Digital inputs: maximum number of simultaneously switched on input channels limited to 75 % per group (e.g. 8 channels => 6 channels) • Digital outputs: output current maximum value (all channels together) limited to 75 % per group (e.g. 8 A => 6 A) • Analog outputs only if configured as voltage output: maximum total output current per group is limited to 75 % (e.g. 40 mA => 30 mA) • Analog outputs only if configured as current output: maximum number of simultaneously used output channels limited to 75 % per group (e.g. 4 channels => 3 channels)
Storage / Transport	-40 °C ... +85 °C
Humidity	Operating / Storage: 100 % r. H. with condensation
Air pressure	<p>Operating:</p> <p>-1000 m 4000 m (1080 hPa ... 620 hPa)</p> <p>> 2000 m (< 795 hPa):</p> <ul style="list-style-type: none"> • max. operating temperature must be reduced by 10 K (e.g. 70 °C ... 60°C) • I/O module relay contacts must be operated with 24 V nominal only

Parameter	Value
Immunity to corrosive gases	Operating: Yes, according to: ISA S71.04.1985 Harsh group A, G3/GX IEC 60721-3-3 3C2 / 3C3
Immunity to salt mist	Operating: Yes, horizontal mounting only, according to IEC 60068-2-52 severity level: 1

! **NOTICE!**
Risk of corrosion!
 Unused connectors and slots may corrode if XC devices are used in salt-mist environments.
 Protect unused connectors and slots with TA535 protective caps for XC devices.

Table 9: Electromagnetic compatibility

Parameter	Value
Device suitable only as <i>Control Equipment for Industrial Applications</i> .	
Radiated emission (radio disturbances)	Yes, according to: CISPR 16-2-3
Conducted emission (radio disturbances)	Yes, according to: CISPR 16-2-1, CISPR 16-1-2
Electrostatic discharge (ESD)	Yes, according to: IEC 61000-4-2, zone B, criterion B
Fast transient interference voltages (burst)	Yes, according to: IEC 61000-4-4, zone B, criterion B
High energy transient interference voltages (surge)	Yes, according to: IEC 61000-4-5, zone B, criterion B
Influence of radiated disturbances	Yes, according to: IEC 61000-4-3, zone B, criterion A
Influence of line-conducted interferences	Yes, according to: IEC 61000-4-6, zone B, criterion A
Influence of power frequency magnetic fields	Yes, according to: IEC 61000-4-8, zone B, criterion A

i *In order to prevent malfunctions, it is recommended, that the operating personnel discharge themselves prior to touching communication connectors or perform other suitable measures to reduce effects of electrostatic discharges.*

**NOTICE!****Risk of malfunctions!**

Unused slots for communication modules are not protected against accidental physical contact.

- Unused slots for communication modules must be covered with dummy communication modules to achieve IP20 rating.
- I/O bus connectors must not be touched during operation.

5.2 Mechanical data

Parameter	Value
Wiring method	Spring terminals
Degree of protection	PLC system: IP 20 <ul style="list-style-type: none"> • with all modules plugged in • with all terminals plugged in • with all covers closed
Vibration resistance	Yes, according to: IEC 61131-2 IEC 60068-2-6 IEC 60068-2-64
Shock resistance	Yes, according to: IEC 60068-2-27
Assembly position	Horizontal Vertical (no application in salt mist environment)
Assembly on DIN rail	
DIN rail type	According to IEC 60715 35 mm, depth 7.5 mm or 15 mm
Assembly with screws	
Screw diameter	4 mm
Fastening torque	1.2 Nm

5.3 Environmental tests

Parameter	Value
Storage	IEC 60068-2-1 Test Ab: cold withstand test -40 °C / 16 h IEC 60068-2-2 Test Bb: dry heat withstand test +85 °C / 16 h
Humidity	IEC 60068-2-30 Test Db: Cyclic (12 h / 12 h) damp-heat test 55 °C, 93 % r. H. / 25 °C, 95 % r. H., 6 cycles IEC 60068-2-78, stationary humidity test: 40 °C, 93 % r. H., 240 h
Insulation Test	IEC 61131-2

Parameter	Value
Vibration resistance	IEC 61131-2 / IEC 60068-26: 5 Hz ... 500 Hz, 2 g (with memory card inserted) IEC 60068-2-64: 5 Hz ... 500 Hz, 4 g rms
Shock resistance	IEC 60068-2-27: all 3 axes 15 g, 11 ms, half-sinusoidal

Table 10: EMC immunity

Parameter	Value
Electrostatic discharge (ESD)	Electrostatic voltage in case of air discharge: 8 kV Electrostatic voltage in case of contact discharge: 6 kV
Fast transient interference voltages (burst)	Power supply (DC): 4 kV Digital inputs/outputs (24 V DC): 2 kV Analog inputs/outputs: 2 kV Communication lines shielded: 2 kV I/O supply (DC-out): 2 kV
High energy transient interference voltages (surge)	Power supply (DC): 1 kV CM *) / 0.5 kV DM *) Digital inputs/outputs (24 V DC): 1 kV CM *) / 0.5 kV DM *) Digital inputs/outputs (AC): 4 kV Analog inputs/outputs: 1 kV CM *) / 0.5 kV DM *) Communication lines shielded: 1 kV CM *) I/O supply (DC-out): 0,5 kV CM *) / 0.5 kV DM *)
Influence of radiated disturbances	Test field strength: 10 V/m
Influence of line-conducted interferences	Test voltage: 10 V
Power frequency magnetic fields	30 A/m 50 Hz 30 A/m 60 Hz

*) CM = Common Mode, * DM = Differential Mode