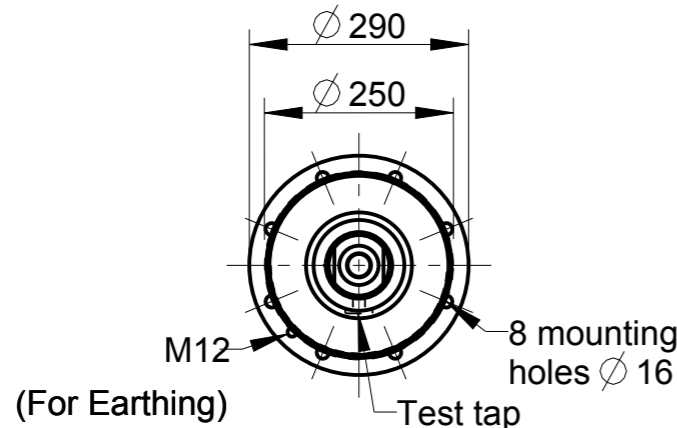
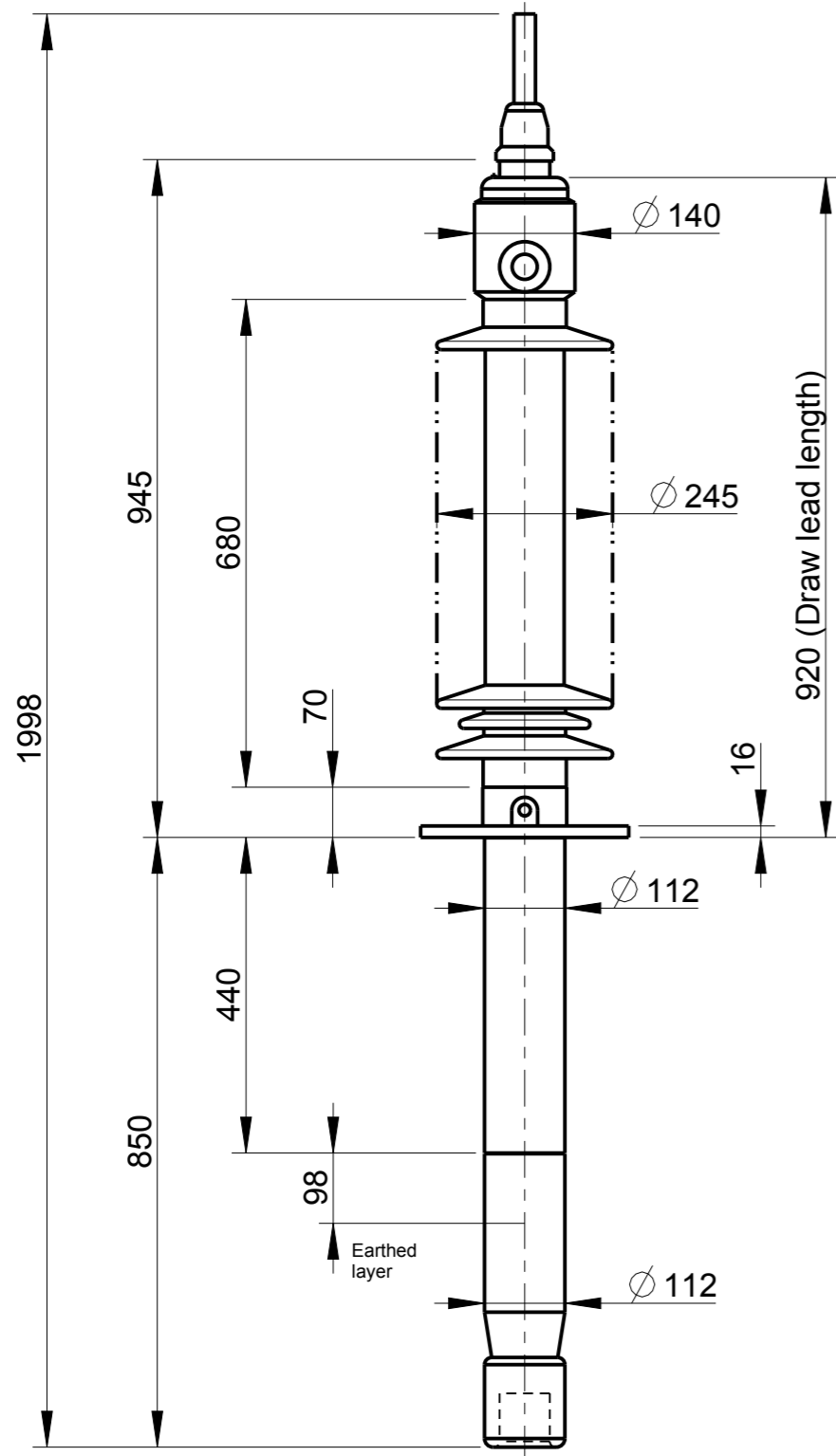
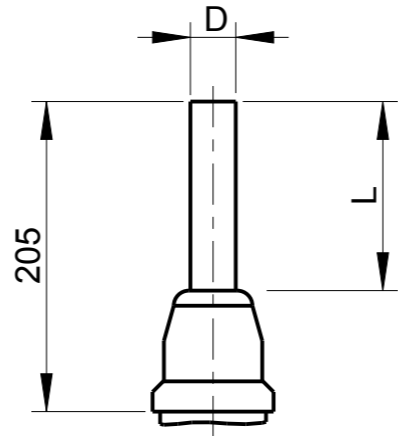


This document is issued by means of a computerized system. The digitally stored original is electronically approved. The approved document has a date entered in the 'Approved'-field. A manual signature is not required.

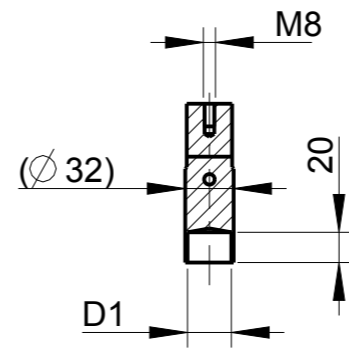
The information contained in this document has to be kept strictly confidential. Any unauthorized use, reproduction, distribution or disclosure to third parties are strictly forbidden. ABB reserves all rights regarding Intellectual Property Rights. © Copyright 2013 ABB. All rights reserved.



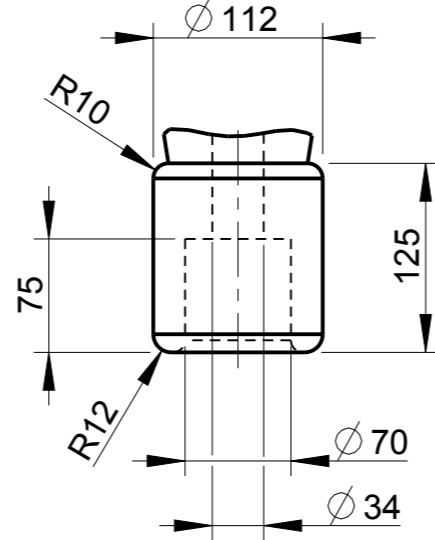
OUTER TERMINAL



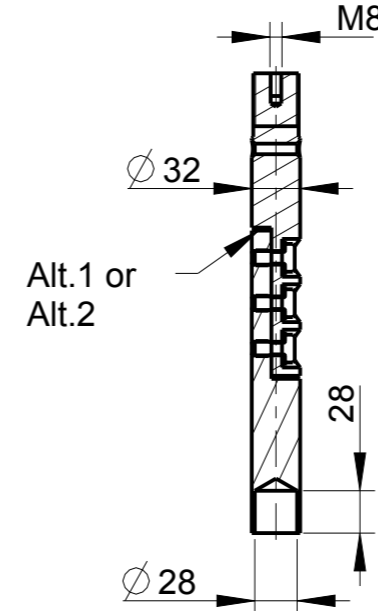
INNER TERMINAL FOR STRANDED CABLE



END SHIELD



SOLID ROD CONNECTOR



The solid rod can be divided either:
 Alt.1: 20mm below the bushing flange or
 Alt.2: 20mm below the upper end of the bottom porcelain

Bushing Data:

Rated Voltage	100	kV
Phase to Ground Voltage	72.5	kV
Dry Lightning Impulse 1,2/50µs	380	kV
Wet power frequency AC	150	kV
Routine test 1min dry 50Hz	162	kV
Rated Current	1250	A
Creepage Distance	2500±70	mm
Creepage Distance Protected	980	mm
Mass	44	kg

Ordering Data:

BUSHING	COLOUR AIR INSULATOR
LF123103-M	BROWN
-N	LIGHT GREY
OUTER TERMINAL	Material D L
LF 170 002-B	Cu alloy, Ø 30, 125
LF 170 001-B	Al, Ø 30, 125
OTHER TYPES ON REQUEST	
INNER TERMINAL FOR STRANDED CABLE	
For brazing	Conductor area D1
LF 170 011-T	up to 285mm² Ø 29
LF 170 011-V	Undrilled with pilot hole Ø 5
SOLID ROD CONNECTOR	Material
LF 170 052 -BP for Alt.1	Cu
LF 170 052 -BM for Alt.2	Cu

Note:

Mounting inclination 0-45°.

⚠ For inclined and horizontal mounting, see Installation and Maintenance Guide.

ABB		Luleå, Sweden	
No.			
U _m /U _y	kV Ir	A	50/60 Hz
BL	kV SL	kV AC	kV
M	kg L	mm	°
C1	pF Tan δ	x	
C2	pF Tan δ	x	

Prepared	iladmin	2008-04-30	Responsible department	PPCO/BK	Title	GOB 380-1250-0.5
Modified by	Palpandi K	2013-04-23	Take over department			
Approved by	Niklas Olsson	2013-05-14	Used in product			
Revision	B	Note added	Order			
ABB					Document no.	2751369-198

Language	82
Sheet no.	1
No. ShTs.	(1)