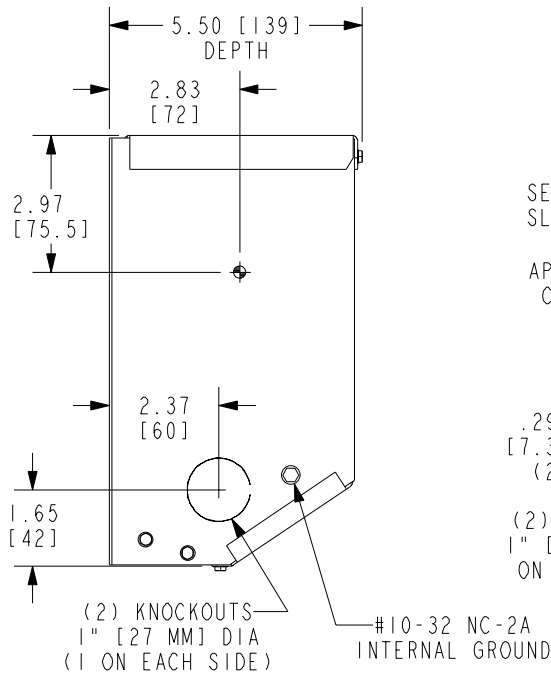
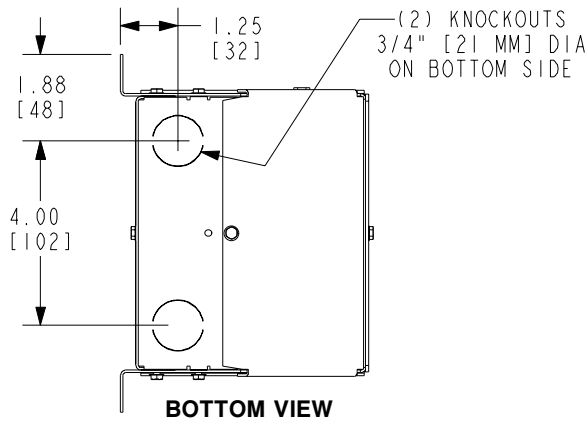
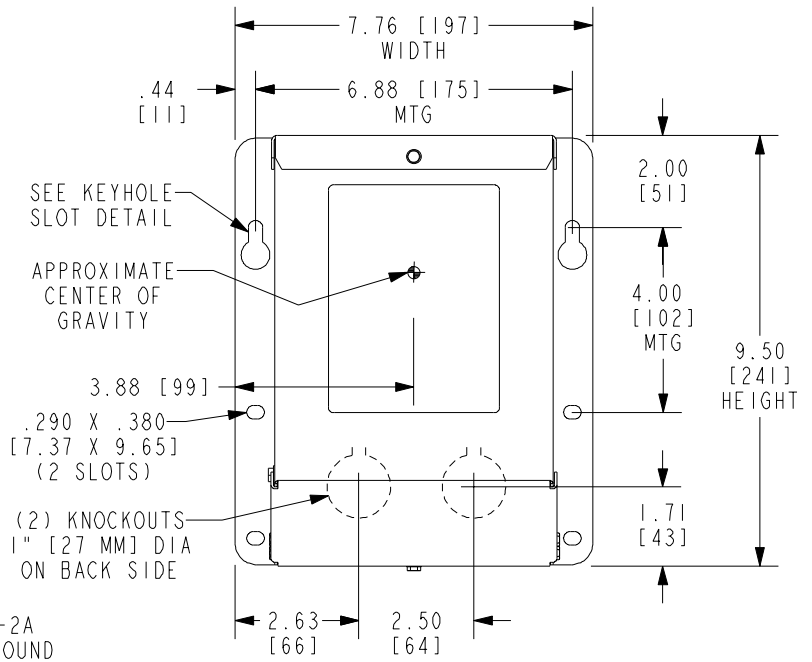


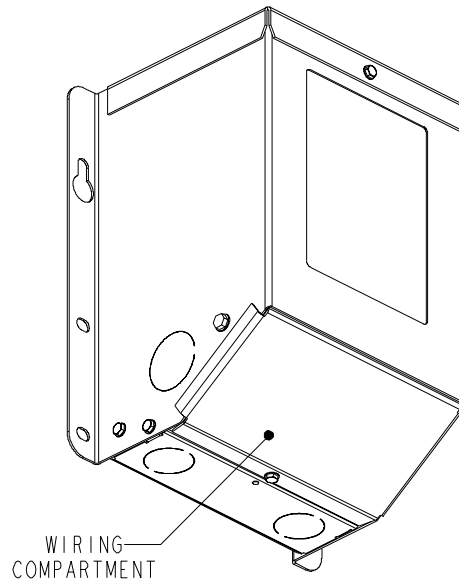
SIDE VIEW



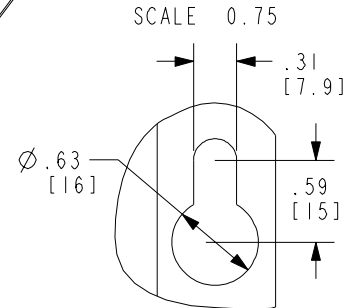
FRONT VIEW



ISOMETRIC VIEW



KEYHOLE SLOT DETAIL



APPROX TOTAL WEIGHT LBS [KG]
CU WINDINGS: 25 [11.3]

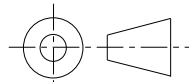
kVA RATING:
K-FACTOR:
PRI VOLTAGE:
SEC VOLTAGE:
FREQ (Hz):
TEMP RISE:
WINDING MATL:
ES SHIELD:
SOUND LVL (dB):

JOB NAME:

UNLESS OTHERWISE SPECIFIED
 ALL DIMENSIONS ARE INCH [MM]



THIRD ANGLE PROJECTION



DRY TYPE TRANSFORMER OUTLINE DRAWING
TYPE QB, 1-PHASE
(ENCLOSED INDOOR/OUTDOOR UNIT)

electrification.us.abb.com

CAD DRAWING: 303B920AAP012

SHEET 1 OF 1

CATALOG #

REV **14**