

SOLAR INVERTERS

ABB central inverters

PVI-55.0/110.0 - PVI-165.0/220.0 - PVI-275.0/330.0
55 to 330 kW



ABB's central inverters are extremely scalable, modular-inverter systems that are based on 55 kW modular blocks. This increases usable power and improves availability. The reduction of performance in any individual module will not impact the energy harvesting capabilities of the other modules.

01

02

03

01
PVI-55.0/110.0

The product is available with and without a transformer. The industry-leading power conversion efficiencies of up to 98% (-TL), combined with high-speed Maximum Power Point Tracking (MPPT) channels, optimize energy harvesting across a wide array of operating conditions.

02
PVI-165.0/220.0

These commercial inverters provide maximum DC input voltage up to 1000 Vdc, high design flexibility and reduced DC distribution losses for large scale PV plants.

03
PVI-275.0/330.0

Delivered pre-configured and pretested which reduces on-site wiring and testing

The inverter systems are delivered pre-configured and pre-tested, which significantly reduces on-site wiring and testing. In the case of an ungrounded application, the unit can be configured as a single or multiple MPPT (with the exception of the PVI-55.0/-TL).

These inverters provide easy installation and maintenance procedures due to the front extractible DC/AC converters and accessibility to all critical parts.

Highlights

- Reduced susceptibility to a single fault in case of a component failure, a maximum of 55 kW will be lost
- Reduced acoustic noise due to the high switching frequency
- Reverse-polarity protection minimizes potential damage caused by array miswiring
- Integrated DC and AC distribution and protection fully equipped for connection, additional accessories not required

Technical data and types

Type code	PVI-55.0	PVI-55.0-TL	PVI-110.0	PVI-110.0-TL
Input side				
Absolute maximum DC input voltage ($V_{max,abs}$)		1000 V		1000 V
MPPT input DC voltage range ($V_{MPPTmin} \dots V_{MPPTmax}$) at V_{acr}		485...950 V		485...950 V
	Linear derating from max to 31,8%	[800< V_{MPPT} <950V]	Linear derating from max to 31,8%	[800< V_{MPPT} <950V]
MPPT input DC range ($V_{MPPTmin} \dots V_{MPPTmax}$) at P_{acr} and V_{acr}		485...800 V		485...800 V
Number of independent MPPT multi-master		1		2
Number of independent MPPT multi-master/slave		Not applicable		Not applicable
Number of independent MPPT master/slave		1		1
Maximum combined DC input current ($I_{dc,max}$)		123 A		246 A
Maximum DC input current for each module ($I_{dc,max,m}$)		123 A		123 A
Number of DC inputs pairs		1		2
DC connection type		2x185mm ² (M10)		2x185mm ² (M10) + 2x300mm ² (M10)
Input protection				
Reverse polarity protection		Yes, with series diode		Yes, with series diode
Input overvoltage protection - varistor		1 for each input pair, Class II		1 for each input pair, Class II
Photovoltaic array leakage control, floating neutral, floating panels		No; proprietary control available ³⁾		No; proprietary control available ³⁾
Residual current protection, grounded neutral, floating panels	Not included; dimension output ground fault device with $\Delta I=400mA/module$		Not included; dimension output ground fault device with $\Delta I=400mA/module$	
Fuse size for each input pair		125 A / 1000 V		125 A / 1000 V
Output side				
AC grid connection type	Three phases 4W+PE	Three phases 3W+PE	Three phases 4W+PE	Three phases 3W+PE
Rated AC power ($P_{acr} @ \cos\phi=1$)		55 kW		110 kW
Maximum AC output power ($P_{ac,max} @ \cos\phi=1$)		55 kW		110 kW
Maximum apparent power (S_{max})		61 kVA		122kVA
Rated grid voltage (V_{acr})	400 V	320 V	400V	320 V
AC voltage range ($V_{ac,min} \dots V_{ac,max}$)	320...480 V ¹⁾	256...368 V ¹⁾	320...480 V ¹⁾	256...368 V ¹⁾
Maximum output current ($I_{ac,max}$)	81 A	101 A	160 A	202 A
Contributory fault current	90 A	112,5 A	180 A	225 A
Rated frequency (f_r)		50/60 Hz		50/60 Hz
Frequency range ($f_{min} \dots f_{max}$)		47...53 / 57...63 Hz ²⁾		47...53 / 57...63 Hz ²⁾
Nominal power factor and adjustable range		> 0.995 (adj. \pm 0.90)		> 0.995 (adj. \pm 0.90)
Total harmonic distortion		< 3% (@ $P_{ac,r}$)	< 3% (@ $P_{ac,r}$)	< 3% (@ $P_{ac,r}$)
AC connection type (for each phase)	1 x 95 mm ² (M8)	1 x 300 mm ² (M12)	1 x 95 mm ² (M8)	1 x 300 mm ² (M12)
Output protection				
Anti-islanding protection		According to local standard		According to local standard
Output overvoltage protection (varistor)		Yes, Class II		Yes, Class II
Night time disconnect	Yes	No	Yes	No
AC circuit breaker		50 kA		50 kA
Operating performance				
Maximum efficiency (η_{max})	96.3% ⁴⁾	98.0% ⁴⁾	96.4% ⁴⁾	98.0% ⁴⁾
Weighted efficiency (η_{EURO} / η_{CEC})	95.1% / 96.0% ⁴⁾	97.7% / 97.5% ⁴⁾	95.2% / 96.0% ⁴⁾	97.7% / 97.5% ⁴⁾
Stand-by consumption/night-time power loss	< 17 W	< 23 W	< 24 W	< 19 W
AC auxiliary supply		3x400 Vac +N, 50/60 Hz		3 x 400 Vac +N, 50/60 Hz
Auxiliary supply consumption	< 0.36% of $P_{ac,r}$	< 0.24% of $P_{ac,r}$	< 0.31% of $P_{ac,r}$	< 0.24% of $P_{ac,r}$
Auxiliary supply consumption without cooling	< 0.25% of $P_{ac,r}$	< 0.22% of $P_{ac,r}$	< 0.23% of $P_{ac,r}$	< 0.22% of $P_{ac,r}$
Inverter switching frequency		18 kHz		18 kHz
Communication				
Wired local monitoring		PVI-USB-RS232_485 (opt.)		PVI-USB-RS232_485 (opt.)
Remote monitoring	PVI-AEC-EVO (opt.), VSN700 Data Logger (opt.)		PVI-AEC-EVO (opt.), VSN700 Data Logger (opt.)	
String Combiner		PVI-STRINGCOMB (opt.)		PVI-STRINGCOMB (opt.)
User interface	16 characters x 2 line LCD display for each module		16 characters x 2 line LCD display for each module	
Environmental				
Ambient temperature range		-10...+ 60°C/+14...140°F		-10...+ 60°C/+14...140°F
		with derating above 50°C/122°F		with derating above 50°C/122°F
Relative humidity		0...95% non condensing		0...95% non condensing
Noise emission	<62 dB(A) @ 1 m	<62 dB(A) @ 1 m	<65 dB(A) @ 1 m	< 63 db (A) @ 1 m
Maximum operating altitude without derating		1000 m / 3280 ft		1000 m / 3280 ft
Physical				
Environmental protection rating		IP 20		IP 20
Cooling		Air forced		Air forced
Required air cooling flow	1600 m ³ /h - 944 CFM	1600 m ³ /h - 944 CFM	2800 m ³ /h - 1652 CFM	2400 m ³ /h - 1416 CFM
	1675mm x 1250mm x	1077mm x 1250mm x	1675mm x 1250mm x	1077mm x 1250mm x
Dimension (H x W x D)	850mm / 69.5" x 49.2" x	850mm / 42.4" x 49.2" x	850mm / 65.9" x 49.2" x	850mm / 42.4" x 49.2" x
	33.5"	33.5"	33.5"	33.5"
Weight	< 700 kg / 1543 lb	< 350 kg / 771 lb	< 800 kg / 1765 lb	< 480 kg / 1058 lb
Weight of the module		< 60 kg / 132 lb		< 60 kg / 132 lb
Safety				
Transformer	Yes	No	Yes	No
Marking		CE (50 Hz only)		CE (50 Hz only)
Safety and EMC standard	EN 50178, EN61000-6-2, EN61000-6-4,	EN61000-3-11, EN61000-3-12	EN 50178, EN61000-6-2, EN61000-6-4,	EN61000-3-11, EN61000-3-12
	CEI 0-21, CEI 0-16,	CEI-0-16, BDEW, RD	CEI 0-21, CEI 0-16,	CEI-0-16, BDEW, RD
Grid standard	BDEW, RD 661/2007, RD	661/2007, RD	BDEW, RD 661/2007, RD	661/2007, RD
(check your sales channel for availability)	1565/2010, P.O.12.3	1565/2010, P.O.12.3	1565/2010, P.O.12.3	1565/2010, P.O.12.3

¹⁾ The AC voltage range may vary depending on specific country grid standard

²⁾ The Frequency range may vary depending on specific country grid standard

³⁾ Missing symmetry with respect to ground results in AC disconnection (disabled function)

by default)

⁴⁾ Power consumption of the auxiliary services not included

Remark. Features not specifically listed in the present data sheet are not included in the product

Technical data and types

Type code	PVI-165.0	PVI-165.0-TL	PVI-220.0	PVI-220.0-TL
Input side				
Absolute maximum DC input voltage ($V_{max,abs}$)		1000 V		1000 V
		485...950 V		485...950 V
MPPT input DC voltage range ($V_{MPPTmin} \dots V_{MPPTmax}$) at V_{acr}	Linear derating from max to 31,8%		Linear derating from max to 31,8%	
		[800< V_{MPPT} <950V]		[800< V_{MPPT} <950V]
MPPT input DC range ($V_{MPPTmin} \dots V_{MPPTmax}$) at P_{acr} and V_{acr}		485...800 V		485...800 V
Number of independent MPPT multi-master		3		4
Number of independent MPPT multi-master/slave		2		2
Number of independent MPPT master/slave		1		1
Maximum combined DC input current ($I_{dcmax,c}$)		369 A		492 A
Maximum DC input current for each module ($I_{dcmax,m}$)		123 A		123 A
Number of DC inputs pairs		3		4
DC connection type	4x185mm ² (M10) + 2x300mm ² (M10)		4x185mm ² (M10)+ 4x300mm ² (M10)	
Input protection				
Reverse polarity protection	Yes, with series diode		Yes, with series diode	
Input overvoltage protection - varistor	1 for each input pair, Class II		1 for each input pair, Class II	
Photovoltaic array leakage control, floating neutral, floating panels	No; proprietary control available ³⁾		No; proprietary control available ³⁾	
Residual current protection, grounded neutral, floating panels	Not included; dimension output ground fault device with $\Delta I=400mA/module$		Not included; dimension output ground fault device with $\Delta I=400mA/module$	
Fuse size for each input pair	125 A / 1000 V		125 A / 1000 V	
Output side				
AC grid connection type	Three phases 4W+PE	Three phases 3W+PE	Three phases 4W+PE	Three phases 3W+PE
Rated AC power ($P_{acr} @ \cos\phi=1$)		165 kW		220 kW
Maximum AC output power ($P_{acmax} @ \cos\phi=1$)		165 kW		220 kW
Maximum apparent power (S_{max})		183 kVA		244 kVA
Rated grid voltage (V_{acr})	400 V	320 V	400 V	320 V
AC voltage range ($V_{acmin} \dots V_{acmax}$)	320...480 V ¹⁾	256...368 V ¹⁾	320...480 V ¹⁾	256...368 V ¹⁾
Maximum output current (I_{acmax})	240 A	303 A	320 A	404 A
Contributory fault current	270 A	337,5 A	360 A	450 A
Rated frequency (f)		50/60 Hz		50/60 Hz
Frequency range ($f_{min} \dots f_{max}$)		47...53 / 57...63 Hz ²⁾		47...53 / 57...63 Hz ²⁾
Nominal power factor and adjustable range		> 0.995 (adj. \pm 0.90)		> 0.995 (adj. \pm 0.90)
Total harmonic distortion		< 3% (@ $P_{ac,r}$)		< 3% (@ $P_{ac,r}$)
AC connection type (for each phase)	1 x 185 mm ² (M10)	2 x 300 mm ² (M12)	1 x 185 mm ² (M10)	2 x 300 mm ² (M12)
Output protection				
Anti-islanding protection	According to local standard		According to local standard	
Output overvoltage protection (varistor)	Yes, Class II		Yes, Class II	
Night time disconnect	Yes	No	Yes	No
AC circuit breaker		50 kA		50 kA
Operating performance				
Maximum efficiency (η_{max})	96.5% ⁴⁾	98.0% ⁴⁾	96.5% ⁴⁾	98.0% ⁴⁾
Weighted efficiency (η_{EURO} / η_{CEC})	95.3% / 96.0% ⁴⁾	97.7% / 97.5% ⁴⁾	95.3% / 96.0% ⁴⁾	97.7% / 97.5% ⁴⁾
Stand-by consumption/night-time power loss	< 31 W	< 26 W	< 28 W	< 33 W
AC auxiliary supply	3 x 400 Vac +N, 50/60 Hz		3 x 400 Vac +N, 50/60 Hz	
Auxiliary supply consumption	< 0.30% of $P_{ac,r}$	< 0.24% of $P_{ac,r}$	< 0.28% of $P_{ac,r}$	< 0.24% of $P_{ac,r}$
Auxiliary supply consumption without cooling	< 0.23% of $P_{ac,r}$	< 0.22% of $P_{ac,r}$	< 0.22% of $P_{ac,r}$	< 0.22% of $P_{ac,r}$
Inverter switching frequency	18 kHz		18 kHz	
Communication				
Wired local monitoring	PVI-USB-RS232_485 (opt.)		PVI-USB-RS232_485 (opt.)	
Remote monitoring	PVI-AEC-EVO (opt.), VSN700 Data Logger (opt.)		PVI-AEC-EVO (opt.), VSN700 Data Logger (opt.)	
String Combiner	PVI-STRINGCOMB (opt.)		PVI-STRINGCOMB (opt.)	
User interface	16 characters x 2 line LCD display for each module		16 characters x 2 line LCD display for each module	
Environmental				
Ambient temperature range	-10...+ 60°C/+14...140°F with derating above 50°C/122°F		-10...+ 60°C/+14...140°F with derating above 50°C/122°F	
Relative humidity	0...95% non condensing		0...95% non condensing	
Noise emission	< 68 db (A) @ 1 m	< 66 db (A) @ 1 m	< 72 db (A) @ 1 m	< 69 db (A) @ 1 m
Maximum operating altitude without derating	1000 m / 3280 ft		1000 m / 3280 ft	
Physical				
Environmental protection rating	IP 20		IP 20	
Cooling	Air forced		Air forced	
Required air cooling flow	4000 m ³ /h - 2360 CFM	3200 m ³ /h - 1888 CFM	4800 m ³ /h - 2832 CFM	4000 m ³ /h - 2360 CFM
	2184mm x 1250mm x	1675mm x 1250mm x	2184mm x 1250mm x	1675mm x 1250mm x
Dimension (H x W x D)	850mm / 86.0" x 49.2" x	850mm / 65,9" x 49,2" x	850mm / 86.0" x 49.2" x	850mm / 65,9" x 42,9" x
	33.5"	33.5"	33.5"	33.5"
Weight	< 1200 kg / 2646 lb	< 680 kg / 1500 lb	< 1300 kg / 2867 lb	< 780 kg / 1720 lb
Weight of the module	< 60 kg / 132 lb		< 60 kg / 132 lb	
Safety				
Transformer	Yes	No	Yes	No
Marking	CE (50 Hz only)		CE (50 Hz only)	
Safety and EMC standard	EN 50178, EN61000-6-2, EN61000-6-4, EN61000-3-11, EN61000-3-12		EN 50178, EN61000-6-2, EN61000-6-4, EN61000-3-11, EN61000-3-12	
Grid standard	CEI 0-21, CEI 0-16, BDEW, RD 661/2007,		CEI-0-16, BDEW, CEI-0-16, BDEW, RD 661/2007,	
(check your sales channel for availability)	RD 1565/2010, P.O.12.3	RD 1565/2010, P.O.12.3	RD 1565/2010, P.O.12.3	RD 1565/2010, P.O.12.3

¹⁾ The AC voltage range may vary depending on specific country grid standard

²⁾ The Frequency range may vary depending on specific country grid standard

³⁾ Missing symmetry with respect to ground results in AC disconnection (disabled function)

by default)

⁴⁾ Power consumption of the auxiliary services not included

Remark. Features not specifically listed in the present data sheet are not included in the product

Technical data and types

Type code	PVI-275.0	PVI-275.0-TL	PVI-330.0	PVI-330.0-TL
Input side				
Absolute maximum DC input voltage ($V_{max,abs}$)		1000 V		1000 V
MPPT input DC voltage range ($V_{MPPTmin} \dots V_{MPPTmax}$) at V_{acr}	Linear derating from max to 31,8%	485...950 V	Linear derating from max to 31,8%	485...950 V
MPPT input DC range ($V_{MPPTmin} \dots V_{MPPTmax}$) at P_{acr} and V_{acr}		[800< V_{MPPT} <950V]		[800< V_{MPPT} <950V]
Number of independent MPPT multi-master		5		6
Number of independent MPPT multi-master/slave		3		3
Number of independent MPPT master/slave		1		1
Maximum combined DC input current ($I_{dcmax,c}$)		615 A		738 A
Maximum DC input current for each module ($I_{dcmax,m}$)		123 A		123 A
Number of DC inputs pairs		5		6
DC connection type	6x185mm ² (M10) +4x300mm ² (M10)		6x185mm ² (M10) +6x300mm ² (M10)	
Input protection				
Reverse polarity protection	Yes, with series diode		Yes, with series diode	
Input overvoltage protection - varistor	1 for each input pair, Class II		1 for each input pair, Class II	
Photovoltaic array leakage control, floating neutral, floating panels	No; proprietary control available ³⁾		No; proprietary control available ³⁾	
Residual current protection, grounded neutral, floating panels	Not included; dimension output ground fault device with $\Delta I=400mA/module$		Not included; dimension output ground fault device with $\Delta I=400mA/module$	
Fuse size for each input pair	125 A / 1000 V		125 A / 1000 V	
Output side				
AC grid connection type	Three phases 4W+PE		Three phases 3W+PE	
Rated AC power ($P_{acr} @ \cos\phi=1$)	275 kW	275 kW	330 kW	330 kW
Maximum AC output power ($P_{acmax} @ \cos\phi=1$)	275 kW	275 kW	330 kW	330 kW
Maximum apparent power (S_{max})	305 kVA	305 kVA	366 kVA	366 kVA
Rated grid voltage (V_{acr})	400 V	320 V	400 V	320 V
AC voltage range ($V_{acmin} \dots V_{acmax}$)	320...480 V ¹⁾	256...368 V ¹⁾	320...480 V ¹⁾	256...368 V ¹⁾
Maximum output current (I_{acmax})	400 A	505 A	480 A	606 A
Contributory fault current	450 A	562,5 A	540 A	675 A
Rated frequency (f_r)		50/60 Hz		50/60 Hz
Frequency range ($f_{min} \dots f_{max}$)	47...53 / 57...63 Hz ²⁾		47...53 / 57...63 Hz ²⁾	
Nominal power factor and adjustable range	> 0.995 (adj. \pm 0.90)		> 0.995 (adj. \pm 0.90)	
Total harmonic distortion	< 3% (@ P_{acr})		< 3% (@ P_{acr})	
AC connection type (for each phase)	1 x 240 mm ² (M12)	2 x 300 mm ² (M12)	1 x 240 mm ² (M12)	2 x 300 mm ² (M12)
Output protection				
Anti-islanding protection	According to local standard		According to local standard	
Output overvoltage protection (varistor)	Yes, Class II		Yes, Class II	
Night time disconnect	Yes	No	Yes	No
AC circuit breaker	50 kA		50 kA	
Operating performance				
Maximum efficiency (η_{max})	96.7% ⁴⁾	98.0% ⁴⁾	96.7% ⁴⁾	98.0% ⁴⁾
Weighted efficiency (η_{EURO} / η_{CEC})	95.5% / 96.0% ⁴⁾	97.7% / 97.5% ⁴⁾	95.5% / 96.0% ⁴⁾	97.7% / 97.5% ⁴⁾
Stand-by consumption/night-time power loss	< 45 W	< 40 W	< 52 W	< 47 W
AC auxiliary supply	3 x 400 Vac +N, 50/60 Hz		3 x 400 Vac +N, 50/60 Hz	
Auxiliary supply consumption	< 0.29% of P_{acr}	< 0.24% of P_{acr}	< 0.28% of P_{acr}	< 0.24% of P_{acr}
Auxiliary supply consumption without cooling	< 0.22% of P_{acr}	< 0.22% of P_{acr}	< 0.22% of P_{acr}	< 0.22% of P_{acr}
Inverter switching frequency	18 kHz		18 kHz	
Communication				
Wired local monitoring	PVI-USB-RS232_485 (opt.)		PVI-USB-RS232_485 (opt.)	
Remote monitoring	PVI-AEC-EVO (opt.), VSN700 Data Logger (opt.)		PVI-AEC-EVO (opt.), VSN700 Data Logger (opt.)	
String Combiner	PVI-STRINGCOMB (opt.)		PVI-STRINGCOMB (opt.)	
User interface	16 characters x 2 line LCD display for each module		16 characters x 2 line LCD display for each module	
Environmental				
Ambient temperature range	-10...+60°C/+14...140°F with derating above 50°C/122°F		-10...+60°C/+14...140°F with derating above 50°C/122°F	
Relative humidity	0...95% non condensing		0...95% non condensing	
Noise emission	< 75 db (A) @ 1 m	< 72 db (A) @ 1 m	< 78 db (A) @ 1 m	< 75 db (A) @ 1 m
Maximum operating altitude without derating	1000 m / 3280 ft		1000 m / 3280 ft	
Physical				
Environmental protection rating	IP 20		IP 20	
Cooling	Air forced		Air forced	
Required air cooling flow	6800 m ³ /h - 4012 CFM 2184mmx1250mmx 850mm/86.0" x49.2" x33.5"	4800 m ³ /h - 2832 CFM 2184mmx1250mmx 850mm/86.0" x49.2" x33.5"	7600 m ³ /h - 4484 CFM 2184mmx1250mmx 850mm/86.0" x49.2" x33.5"	5600 m ³ /h - 3304 CFM 2184mmx1250mmx 850mm/86.0" x49.2" x33.5"
Dimension (H x W x D)	1215mmx1250mmx 870mm/47.8" x49.2" x34.3" (Transf)		1215mmx1250mmx 870mm/47.8" x49.2" x34.3" (Transf)	
Weight	< 1600 kg / 3527 lb	< 1000 kg / 2205 lb	< 1750 kg / 3858 lb	< 1150 kg / 2535 lb
Weight of the module	< 60 kg / 132 lb		< 60 kg / 132 lb	
Safety				
Transformer	Yes	No	Yes	No
Marking	CE (50 Hz only)		CE (50 Hz only)	
Safety and EMC standard	EN 50178, EN61000-6-2, EN61000-6-4, EN61000-3-11, EN61000-3-12		EN 50178, EN61000-6-2, EN61000-6-4, EN61000-3-11, EN61000-3-12	
Grid standard	CEI-0-16, BDEW, RD 661/2007, RD 1565/2010, P.O.12.3		CEI-0-16, BDEW, RD 661/2007, RD 1565/2010, P.O.12.3	

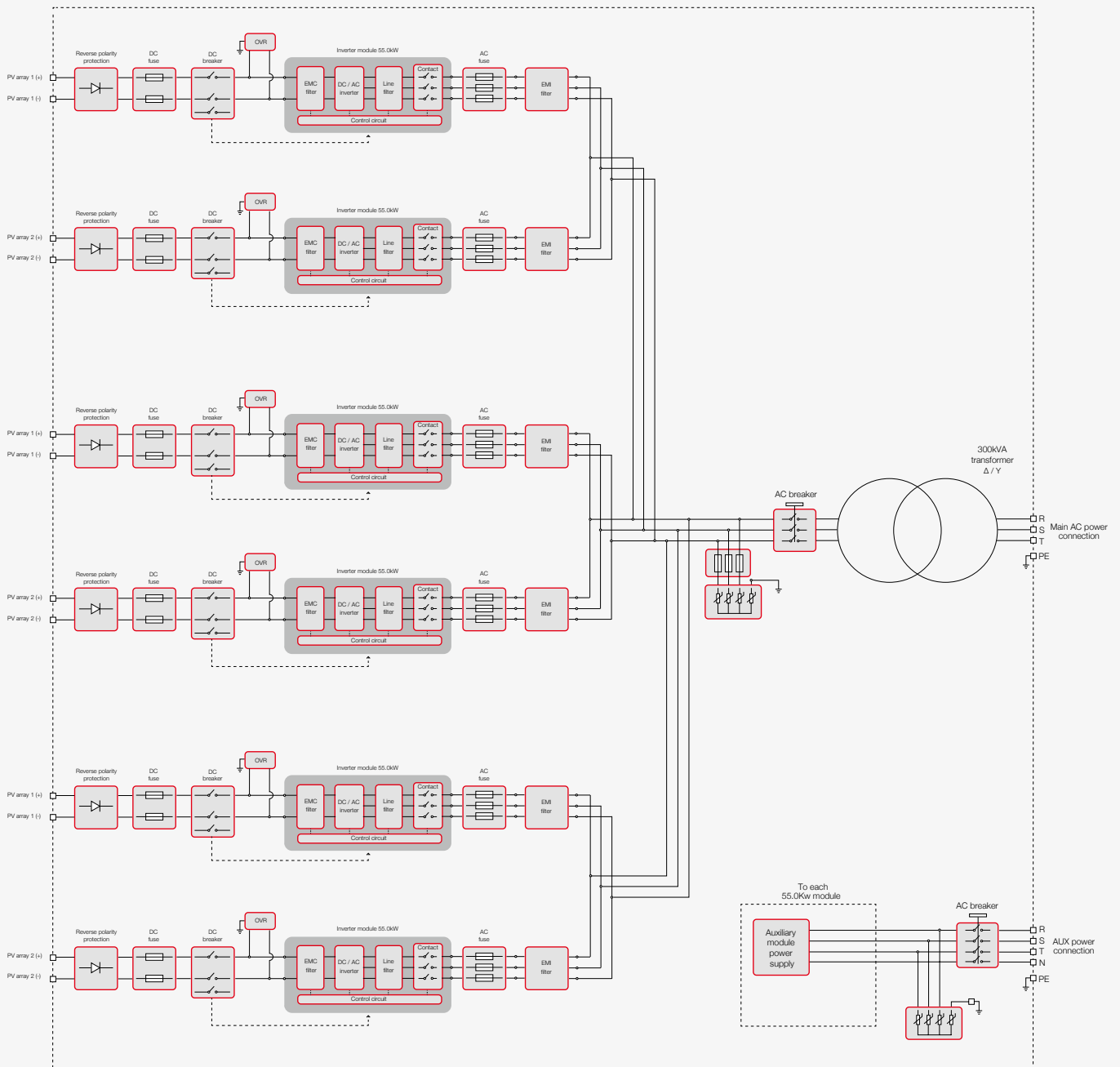
¹⁾ The AC voltage range may vary depending on specific country grid standard
²⁾ The Frequency range may vary depending on specific country grid standard
³⁾ Missing symmetry with respect to ground results in AC disconnection (disabled)

function by default)
⁴⁾ Power consumption of the auxiliary services not included
Remark. Features not specifically listed in the present data sheet are not included in the product

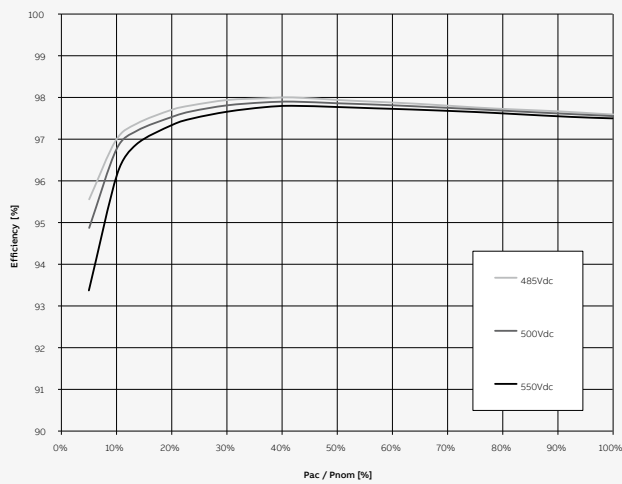
ABB central inverters

PVI-55.0/110.0 - PVI-165.0/220.0 - PVI-275.0/330.0
55 to 330 kW

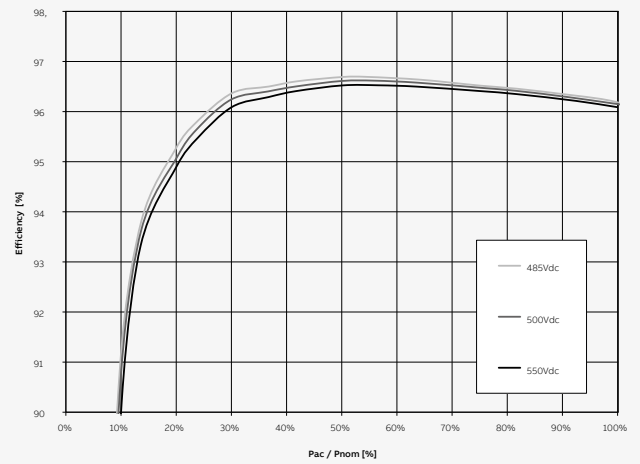
Block diagram of PVI-330.0 with transformer (multi master)



—
Efficiency curves of PVI-55.0/330.0-TL



—
Efficiency curves of PVI-275.0/330.0-TL



For more information please contact your local ABB representative or visit:

www.abb.com/solarinverters
www.abb.com

—
 We reserve the right to make technical changes or modify the contents of this document without prior notice. With regard to purchase orders, the agreed particulars shall prevail. ABB AG does not accept any responsibility whatsoever for potential errors or possible lack of information in this document.

—
 We reserve all rights in this document and in the subject matter and illustrations contained therein. Any reproduction, disclosure to third parties or utilization of its contents – in whole or in parts – is forbidden without prior written consent of ABB AG. Copyright© 2017 ABB
 All rights reserved

