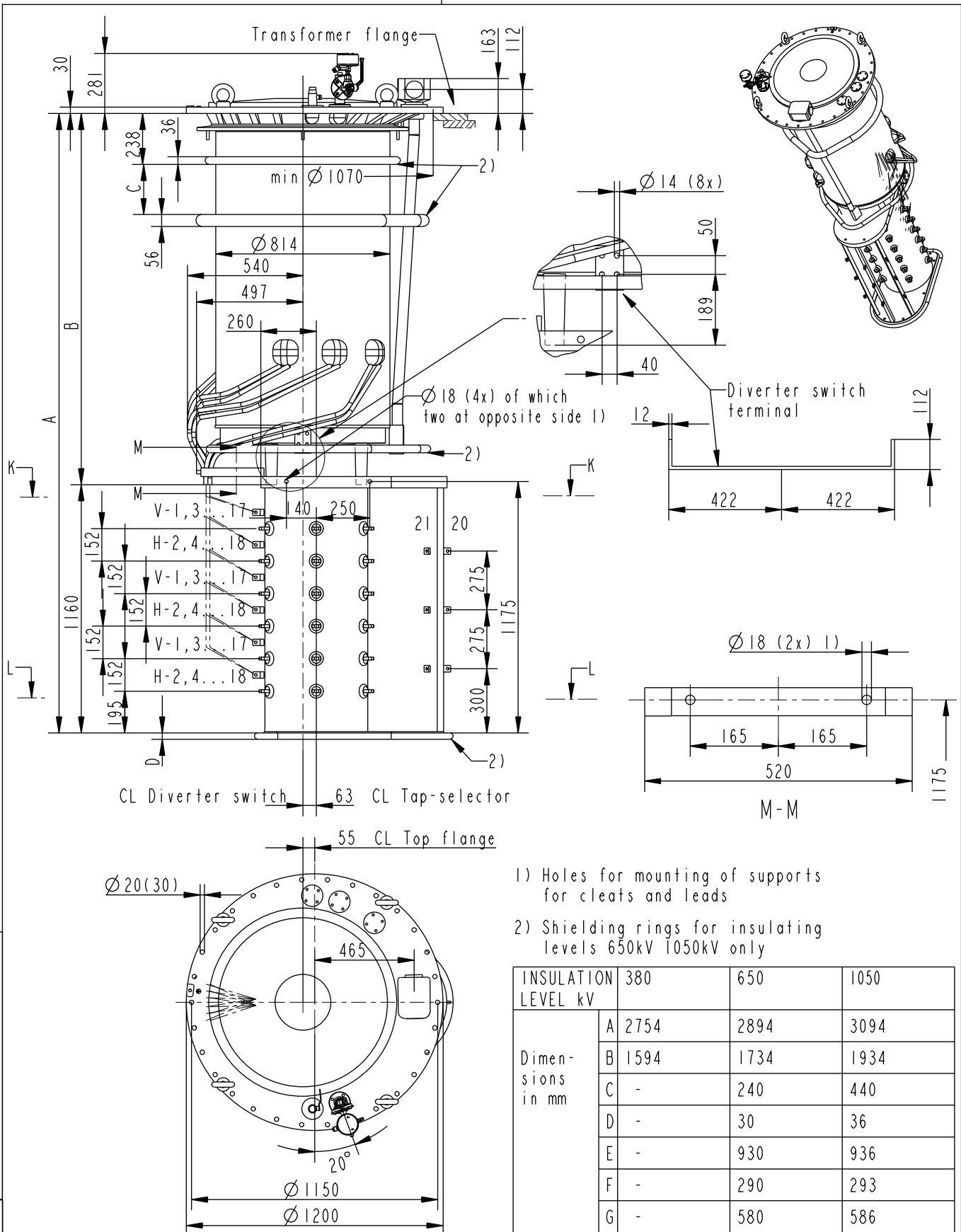


We reserve all rights in this document and in the information contained therein. Reproduction, use or disclosure to third parties without express authority is strictly forbidden.  
©ABB



- 1) Holes for mounting of supports for cleats and leads
- 2) Shielding rings for insulating levels 650kV 1050kV only

INSULATION LEVEL kV	380	650	1050
A	2754	2894	3094
B	1594	1734	1934
C	-	240	440
D	-	30	36
E	-	930	936
F	-	290	293
G	-	580	586

Based on	Reg. No.	Title TAP-CHANGER UCDR AND UCDD UCD.N XXXX/1000/III		
Prepared T Sapila 96-08-21	Responsible department COM/TK			Language en
Approved M Eriksson	Take over department			Page 1(3)
Revision Rev 3 06-10-02	Database DIMENSION_DWGS			Document No. 54920091-6
<b>ABB Components</b>				

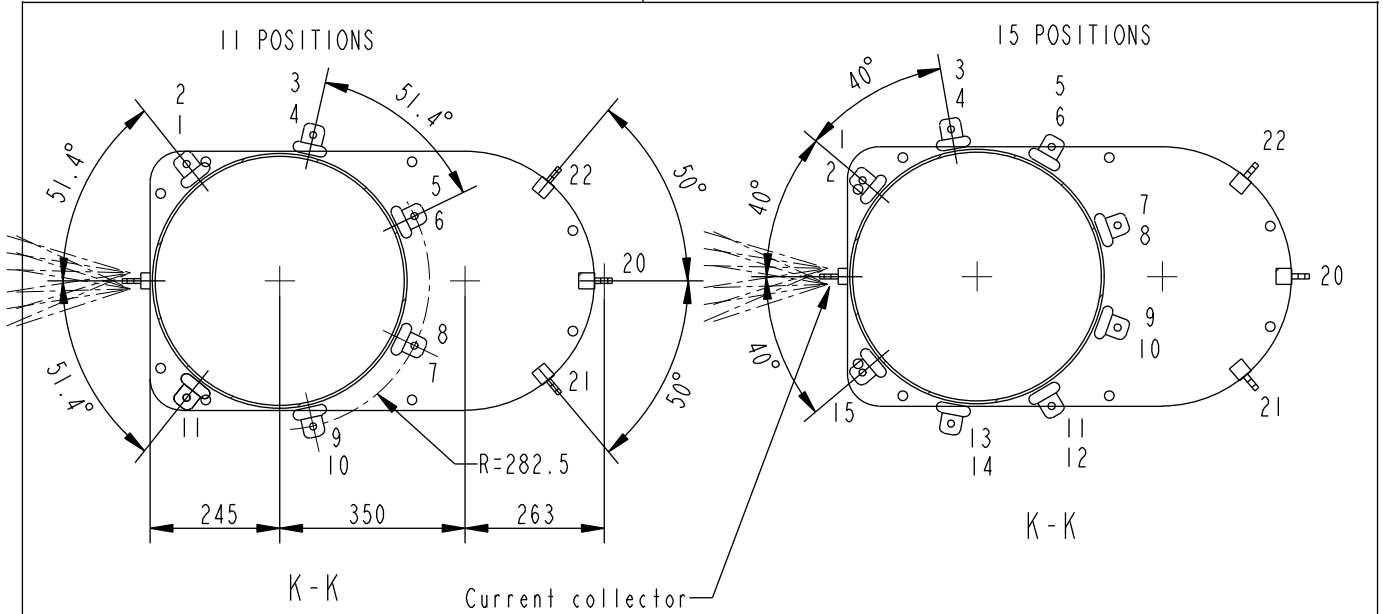
Inspection engineering review  
 Design engineering review  
 Production engineering review

We reserve all rights in this document and in the information contained therein. Reproduction, use or disclosure to third parties without express authority is strictly forbidden. ©ABB

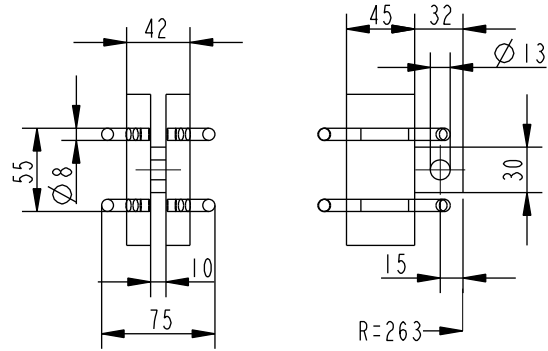
Production engineering review

Design engineering review

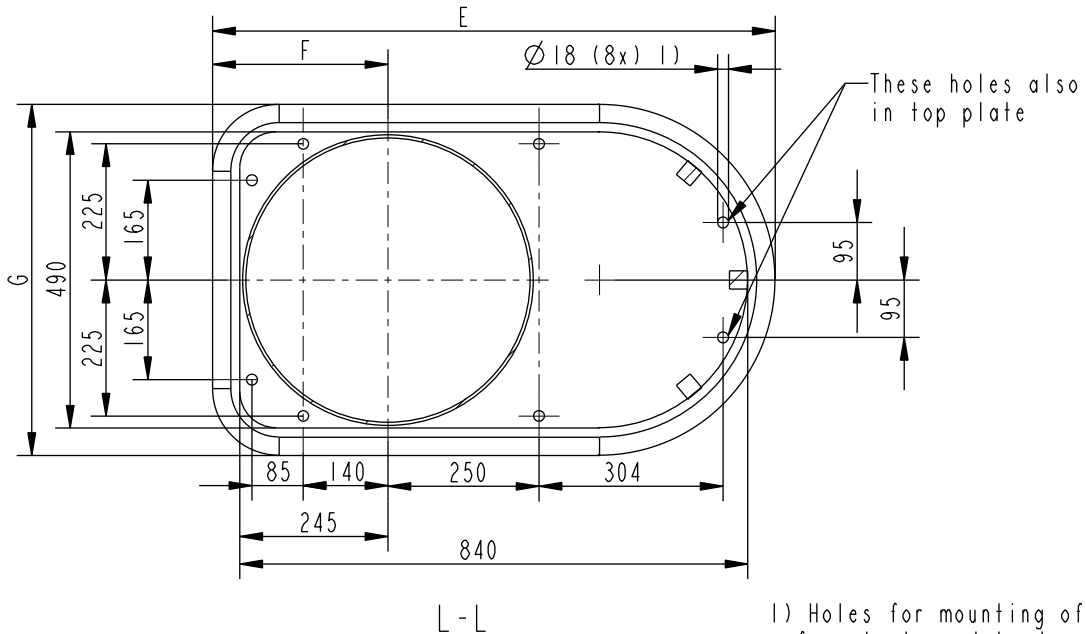
Inspection engineering review



Tap selector contact 20,21,22 with shields



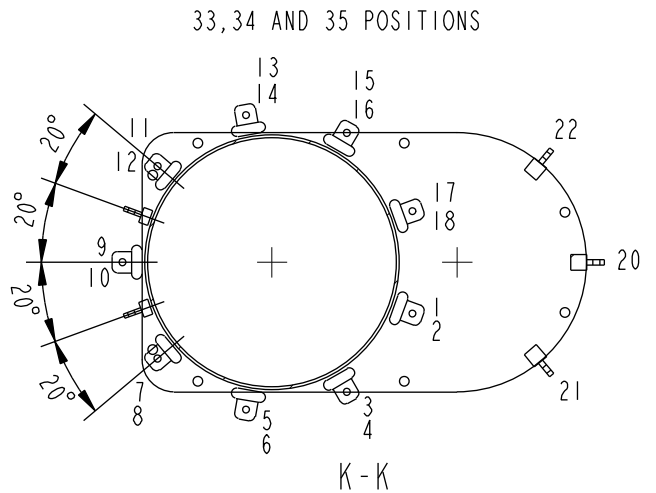
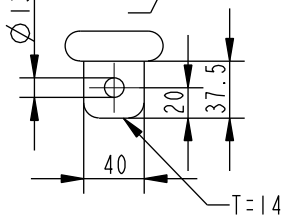
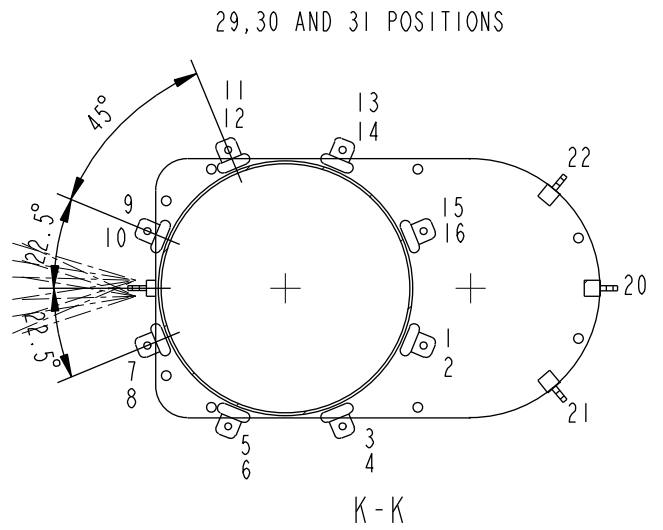
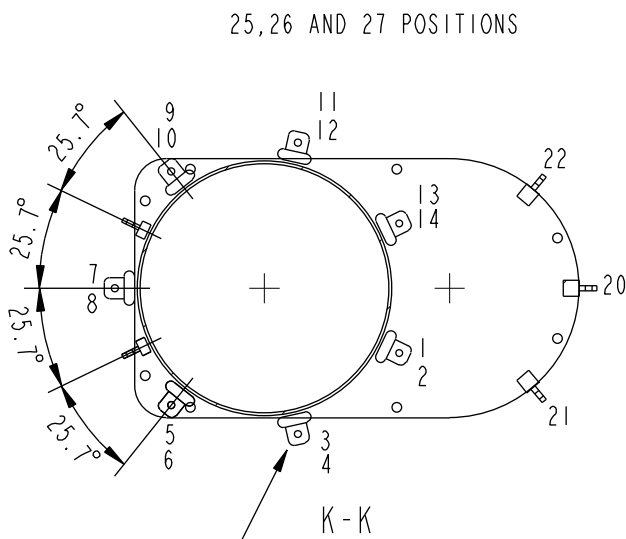
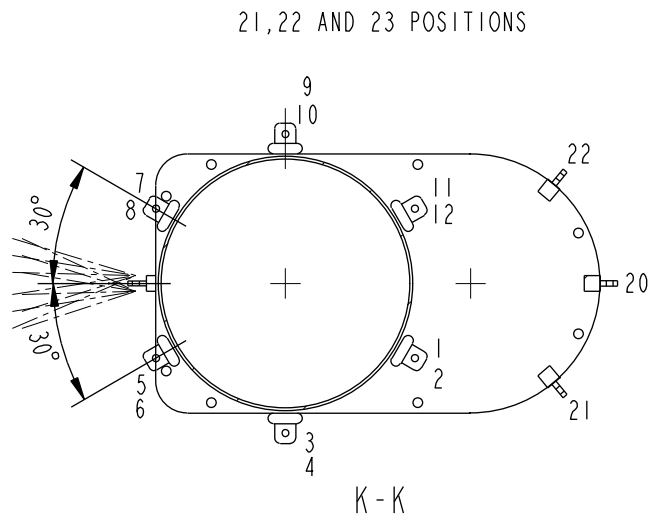
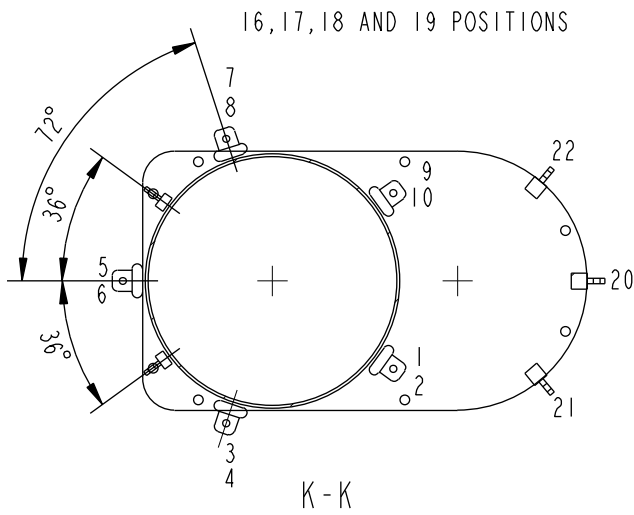
Values for dim. E, F and G in table on page 1



1) Holes for mounting of supports for cleats and leads

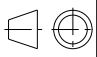
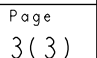
Based on	Reg. No.	Title TAP-CHANGER UCDR AND UCDD UCD.N XXXX/1000/III		
Prepared T Sapila 96-08-21	Responsible department COM/TK			Language en
Approved M Eriksson	Take over department			Page 2(3)
Revision Rev.3 06-10-02	Database DIMENSION_DWGS			Document No. 54920091-6
<b>ABB Components</b>				

We reserve all rights in this document and in the information contained therein. Reproduction, use or disclosure to third parties without express authority is strictly forbidden. ©ABB



**ADDITIONAL DRAWINGS:**

Connection Diagrams: See Technical Guide UC  
 Mounting on active part: 54920087-1  
 Top Section, Accessories: 54920087-2  
 Motor Drive BUL: 54830001-1  
 Motor Drive BUE: 54830001-2 or -3  
 External Drive Shaft: 54920083-4  
 Pressure Relay: 54920083-2  
 Bevel Gear: 54920083-1

Based on	Reg. No.	Title TAP-CHANGER UCDR AND UCDD UCD.N XXXX/1000/III	 Language en	
Prepared T Sapila 96-08-21	Responsible department COM/TK			 Page 3(3)
Approved M Eriksson	Take over department			
Revision Rev.3 06-10-02	Database DIMENSION_DWGS			Document No. 54920091-6



**ABB Components**

Production engineering review

Design engineering review

Inspection engineering review