

# Stanilite®

## Signature batten LED weatherproof Nexus® - 4 foot



### Range

Signature range

### Product group

Batten LED



### Features

Nexus LX/RF unit



- Typically 4,500 lumens on mains AC operation, 620 lumens in emergency operation
- Weatherproof rating IP65
- IK08 impact rating
- Ceiling, wall mount or suspension mounting (wall mount requires optional 45° mounting brackets)
- Higher wall mount classification using optional wall mount brackets
- Long LED life 75,000 hours
- Colour temperature 4,000K
- Higher colour rendering index CRI>80
- Mains terminal block accepts up to 2.5mm<sup>2</sup> cable
- High temperature NiCad battery for longer life
- External mounting clips for ease of installation
- Stainless steel diffuser clips
- High efficiency frosted polycarbonate diffuser
- Ambient operating temperature; +4°C to +40°C
- Nexus monitored, either cabled or wireless

### Motion detect option

- Microwave motion detect sensor with settings for delay time, detection range and light value function
- Luminaire is not switched on if there is adequate ambient illumination in the area sensed
- Energy-efficient and cost-effective operation thanks to “corridor function” which dims the light to only 10% output with no movements detected and increase the light back to 100% when presence is detected
- Maximum installation height 5m; variable 0.5 - 5.0m

Catalogue no.	Description
<b>Nexus products</b>	
SBLWLX45LM	Signature batten LED weatherproof Nexus LX 4500 lumens maintained
SBLWLX45LMMD	Signature batten LED weatherproof Nexus LX 4500 lumens maintained with motion detect sensor
SBLWRF45LM	Signature batten LED weatherproof Nexus RF 4500 lumens maintained
SBLWRF45LMMD	Signature batten LED weatherproof Nexus RF 4500 lumens maintained with motion detect sensor

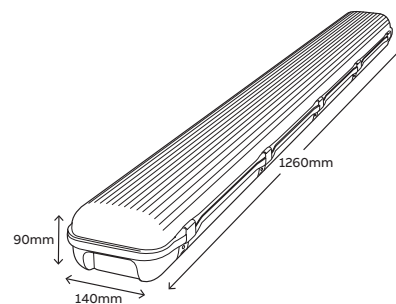
Note: AC versions also available

### Accessories

21-PCCSBLW	Polycarbonate clips
26-PBMD001	Wall mount bracket pair 45°
PBLWSS316-KIT	SS316 marine grade accessory kit (includes diffuser clips x 10, suspension clips x 2, mounting bracket x 2 and M4 x 8 screws x 2)

### Spare parts

03-CBMA035P	Battery 4 cell NiCad 4.8V 4.5Ah
-------------	---------------------------------



### Dimensions

Length	Width	Bare height
1260mm	140mm	90mm

### Weight

Model	Weight
Nexus LX/RF	3.4kg

### Construction

Part	Construction
Reflector	Powder coated steel
Body and diffuser	Polycarbonate
Clips	Stainless steel

Light source				
Model	Light source			
Nexus LX/RF	LED strips			

Power consumption				
Model	Normal	S/A off	Standby	
Nexus LX/RF	49W	1W	N/A	
Nexus LX/RF motion detect	49W	1W	7W	

Note: Preliminary results

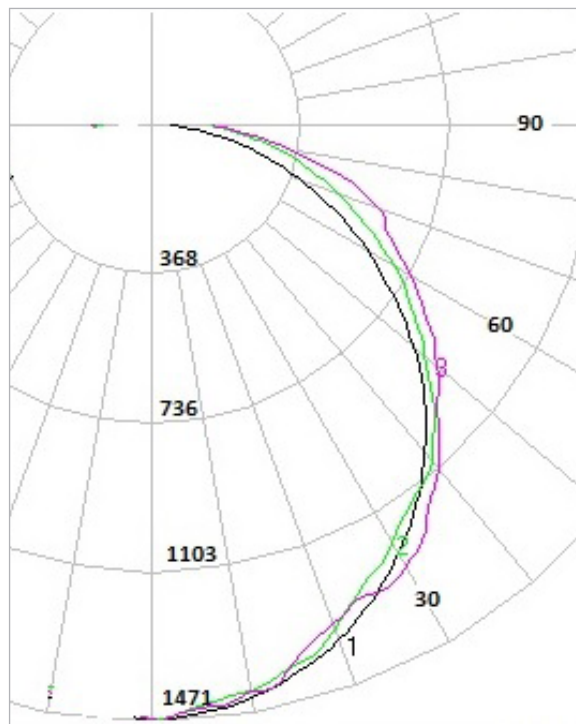
Photometrics			
Model	Class	Classification	
Nexus LX/RF ceiling mount	C0	D100	
	C90	D80	
Nexus LX/RF wall mount 45°	C0	D125	
	C90	D100	

Note: Preliminary results

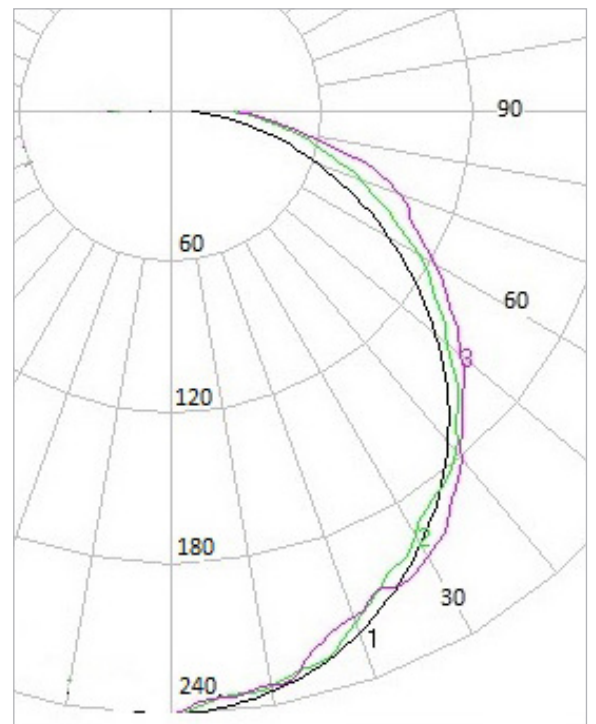
Note:

- AC designed to comply with AS/NZS60598.2.1 and meet relevant Australian EMC standards
- EM designed to comply with AS2293.3 and meet relevant Australian EMC standards

### AC polar diagram



### EM polar diagram



Note on AC/EM polar diagrams:

- Legend C0.1 black, C45.2 green, C90.3 cyan
- Two plane symmetry C0:C90