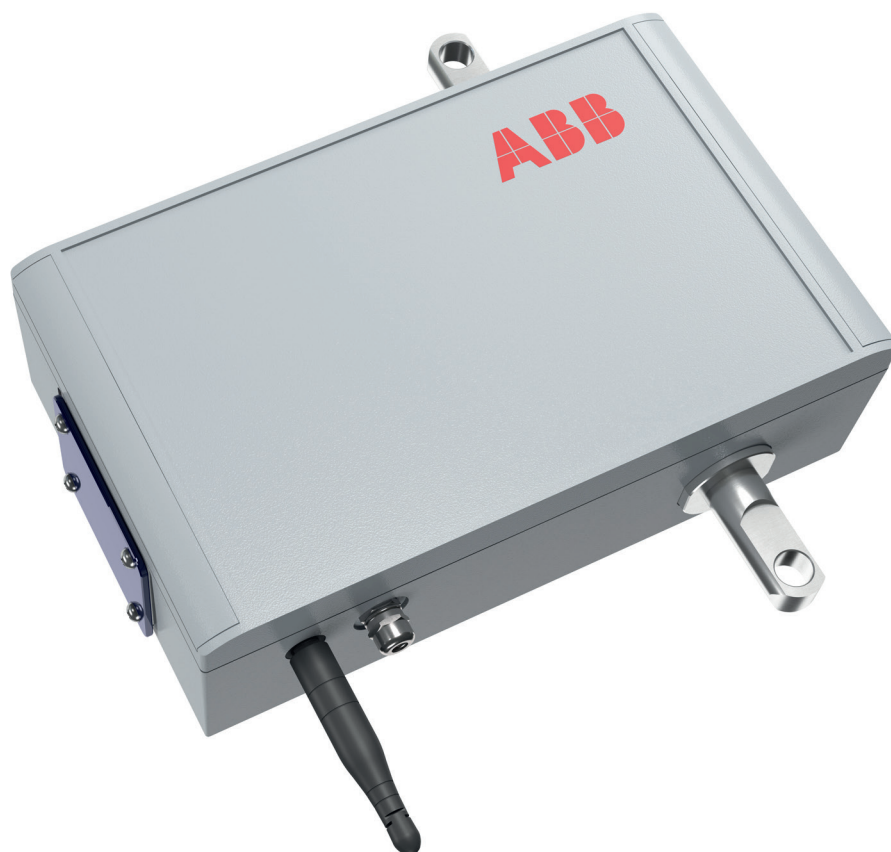

Wireless Monitor for surge arrester

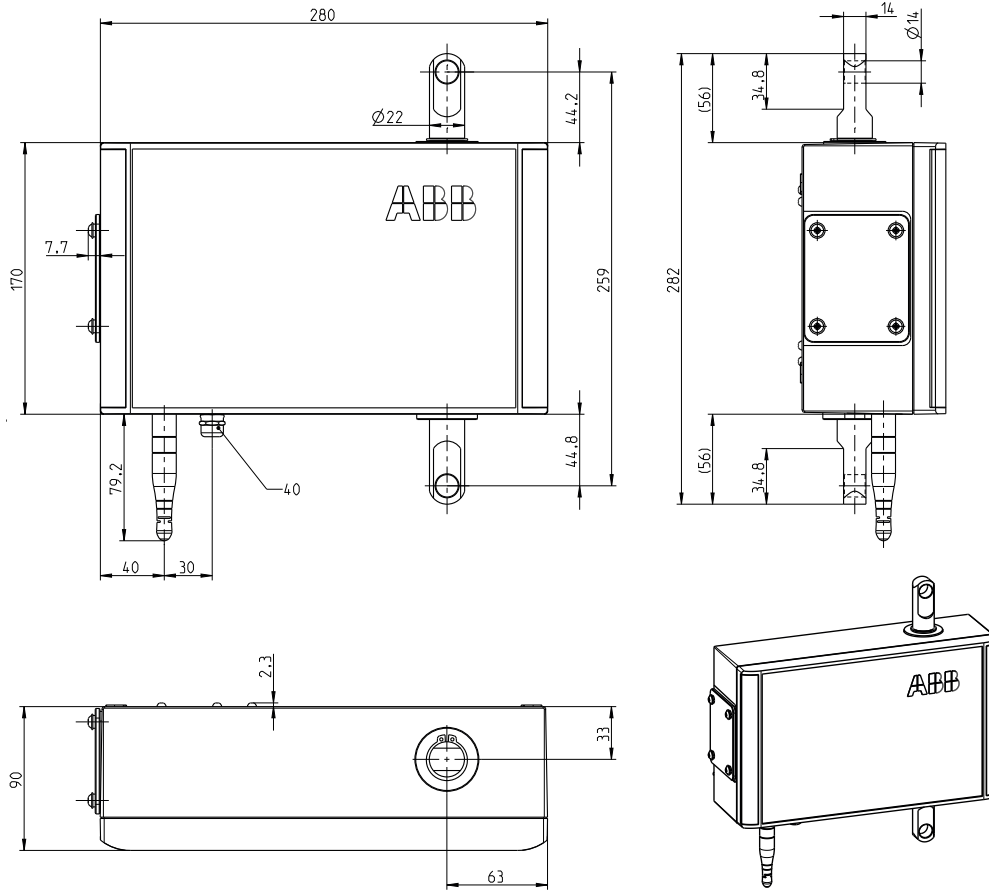


Technical data

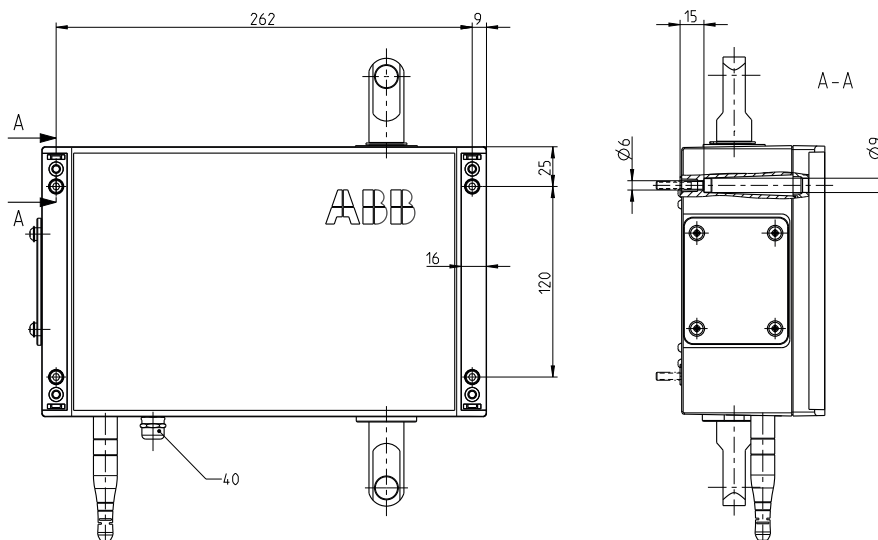
Specification		Remarks
Discharge current measurement	500 A – 10 kA ($\pm 20\%$ & ± 200 A)	
	10 kA – 100 kA ($\pm 20\%$ & ± 2 kA)	
Discharge current peak resolution	>100 ms	in-between peaks
Leakage current measurement	0.1 mA – 10 mA (± 0.1 mA)	total leakage current (rms)
Frequency	48 Hz – 62 Hz	Leakage current measurement
Event time stamp accuracy	1 s	
Short circuit rating	65 kA _{rms} for 0.2 s	
Temperature measurement	-40 °C to +85 °C (± 1.5 °C)	
	-40 °F to +185 °F (± 1.5 °F)	
Humidity measurement	0 % – 100 % (± 3.5 % at 25 °C / 77 °F)	relative humidity
Battery status	low battery power indication and critical battery power indication	
Event storage capacity	3 months	normal operating conditions
Power supply	Rechargeable battery and photovoltaic (PV)	
Battery	Li-ion / Type 18650 / 3.6 V	2 batteries
Power autonomy	6 months	without PV charging
Rated battery charging cycles	500	at 100 % DOD (depth of discharge)
Measurement cycles	1 hour	normal resolution
	1 min (after discharge event)	high resolution
Discharge measurements	event trigger	
Communication	LoRaWAN (Europe and USA)	specific models
Communication range	5 km	wider range in case of line of sight
Communication cycles	24 hours	normal resolution
	1 hour (after discharge event)	high resolution
Maintenance period	5 years	batteries
IP class	IP67	
Weight	2.6 kg	
Maximum specified lateral force	1000 N	
Case material	GD-Al Si 12 (DIN 1725)	
Installation	On arrester ground lead (bolts M12 recommended) arrester and arrester-side ground lead insulated	

Dimensions

Dimensional drawing



Installation drawing



For more information please contact:

ABB Power Grids Switzerland Ltd.

High Voltage Products

Surge Arresters

Jurastrasse 45

CH-5430 Wettingen

Phone: +41 58 585 29 11

Telefax: +41 58 585 55 70

E-Mail: sales.sa@hitachi-powergrids.com

www.hitachiabb-powergrids.com

Note

We reserve the right to make technical changes or modify the contents of this document without prior notice. With regard to purchase orders the agreed particulars shall prevail. ABB does not accept any responsibility whatsoever for potential errors or possible lack of information in this document. We reserve all rights in this document and in the subject matter and illustrations contained therein. Any reproduction, disclosure to third parties or utilization of its contents – in whole or in parts – is forbidden without prior written consent of ABB.

Our products are certified according ISO 9001, 14001 and 18001

For pdf or print version please send E-mail to:
sales.sa@hitachi-powergrids.com