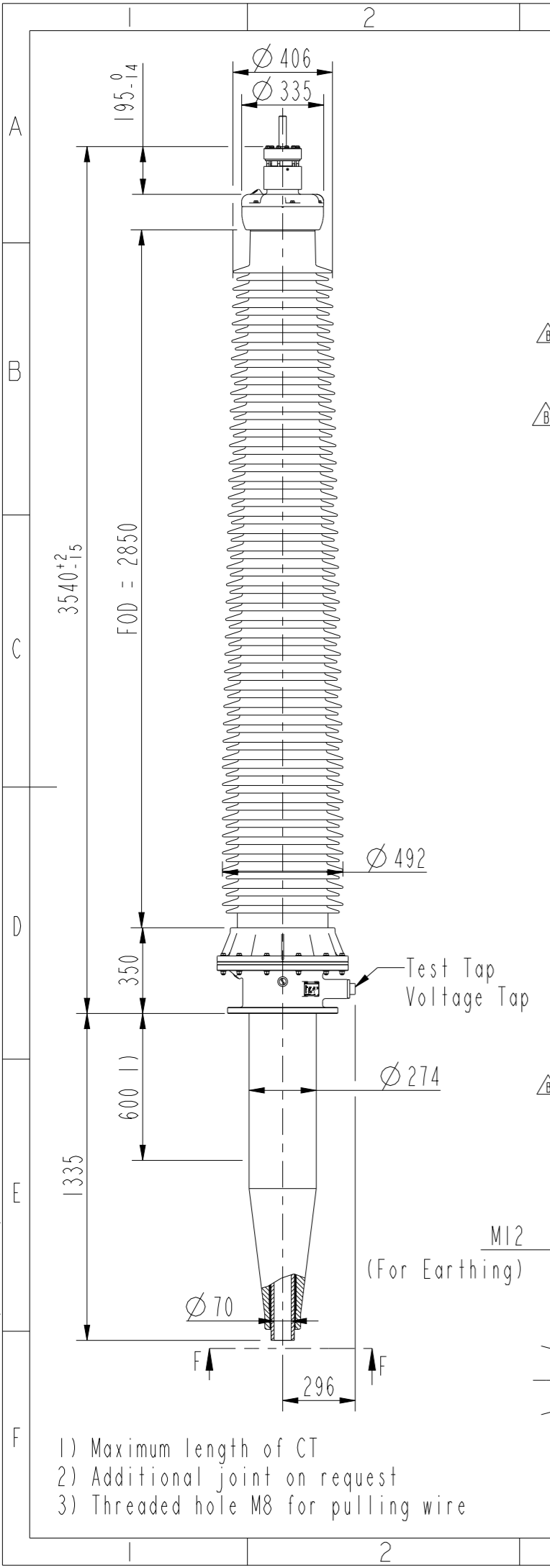


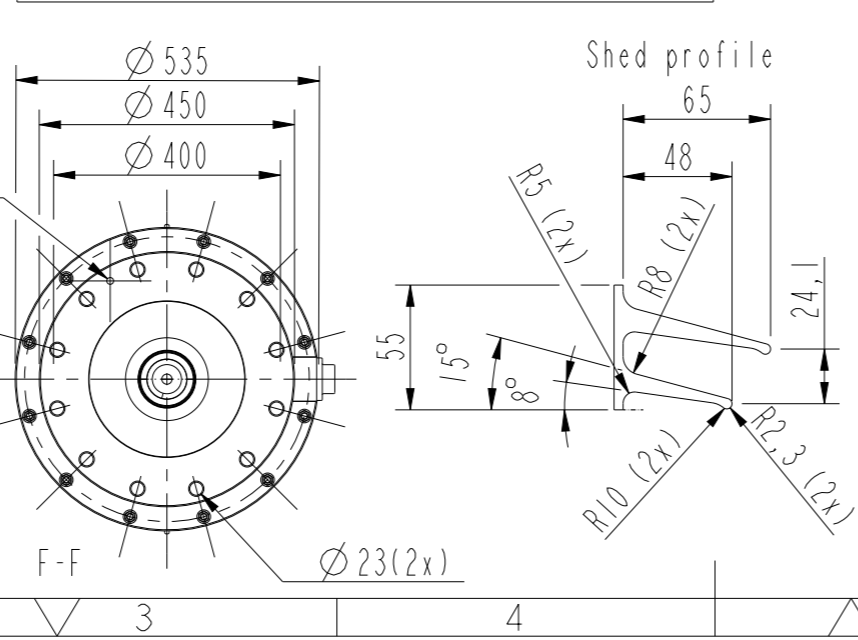
This document is issued by means of a computerized system. The digitally stored original is electronically approved. The approved document has a date entered in the "Approved"-field. A manual signature is not required.

We reserve all rights in this document and in the information contained therein. Reproduction, use or disclosure to third parties without express authority is strictly forbidden.

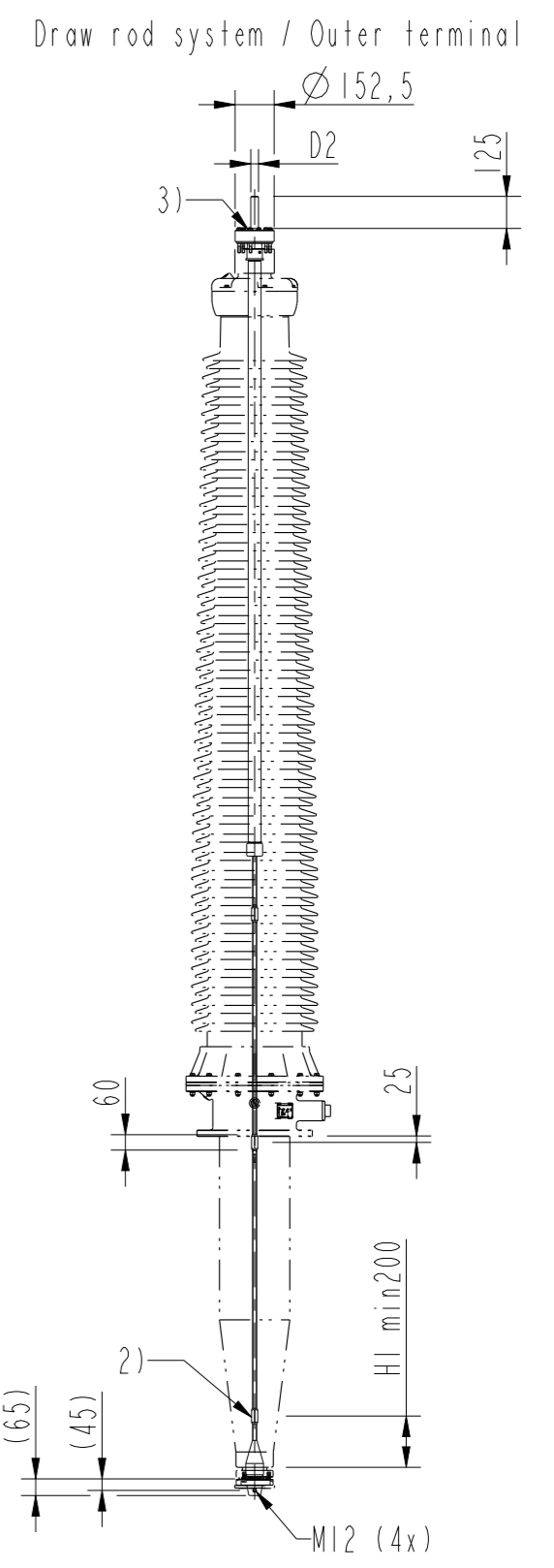
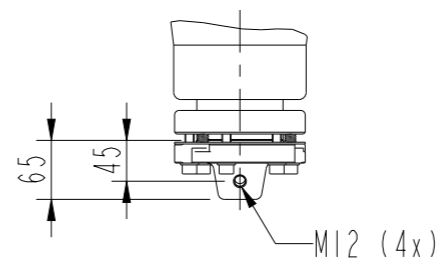
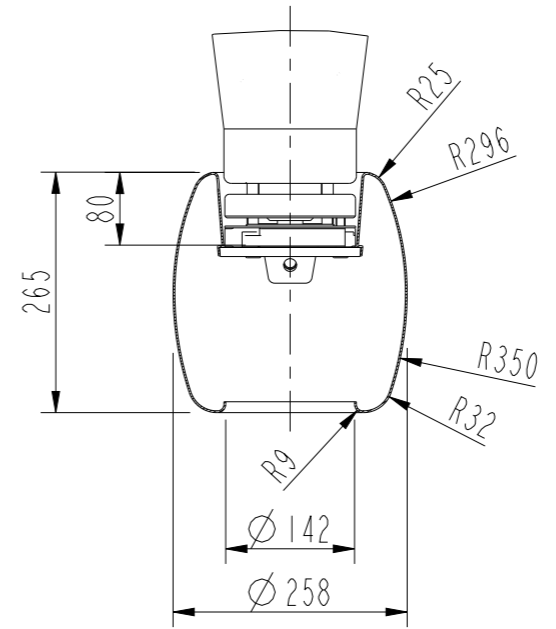
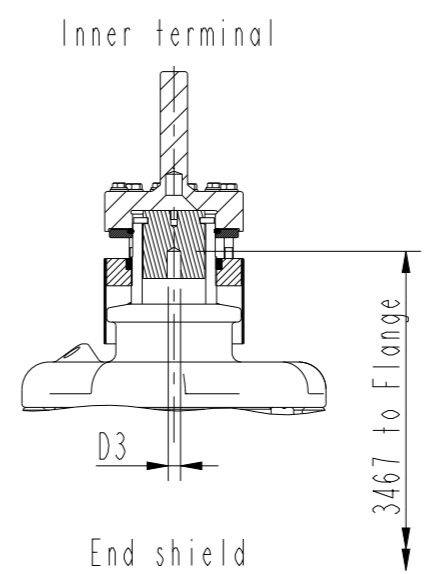


Bushing Data		
Rated voltage	362	kV
Phase-to-earth voltage	220	kV
Dry lightning impulse 1,2/50 μs	1175	kV
Wet switching impulse	950	kV
Wet power frequency AC	n.a.	kV
Routine test 1 min dry 50 Hz	561	kV
Rated current	3150	A
Creepage distance, nominal	10371	mm
Creepage distance, minimum	9955	mm
Nominal capacitance	701	pF
Mass, Bushing	836	kg
Mass, incl. protective hood	868	kg
Ambient air temperature	-50 to +40	°C

Ordering Data		
BUSHING		AIR INSULATOR COLOR/TYPE
I ZSC901362	-ACB Test tap	Brown/Porcelain
I ZSC901362	-ADB Voltage tap 6 kV	Brown/Porcelain
I ZSC901362	-BCB Test tap	Light grey/Porcelain
I ZSC901362	-bdb Voltage tap 6 kV	Light grey/Porcelain
OUTER TERMINAL		MATERIAL D2 (mm)
I ZSC999001	-AAA	Al 30
I ZSC999001	-AAB	Al 60
I ZSC999001	-AAC	Cu 30
I ZSC999001	-AAD	Cu 40
DRAW ROD SYSTEM		
I ZSC999006		Lower draw rod
I ZSC999007		Upper draw rod
INNER TERMINAL		D3 (mm)
I ZSC999005	-AAA	15
I ZSC999005	-AAB	30
I ZSC999005	-AAC	40
I ZSC999005	-AAD	42
FIXED BOTTOM CONTACT		
I ZSC999002	-AAE	
END SHIELD		
I ZSC999003	-AEA	Epoxy insulated
I ZSC999003	-AEB	Pressboard insulated 3 mm



- 1) Maximum length of CT
- 2) Additional joint on request
- 3) Threaded hole M8 for pulling wire



Revision	Revision text
B	Redrawn with new model. Added "Ambient air temperature" & "Nominal capacitance" Add shield in ordering data table.

Created by Sri Ambicai	Reviewed by Peter Runnholm	Approved by Henrik Löfås
Approved 2020-08-10	Document Kind Dimension Drawing	Based on doc.id Work order id Project id
Company ABB AB	Title, Supplementary title Bushing GSB 362/3150/0.6 Cu. Genomföring GSB 362/3150/0.6 Cu.	
Responsible Department SEABB-9AAE300824	Document id 2751377-39	Status Approved
Revision B		Iteration 3
Sheet 1/1		