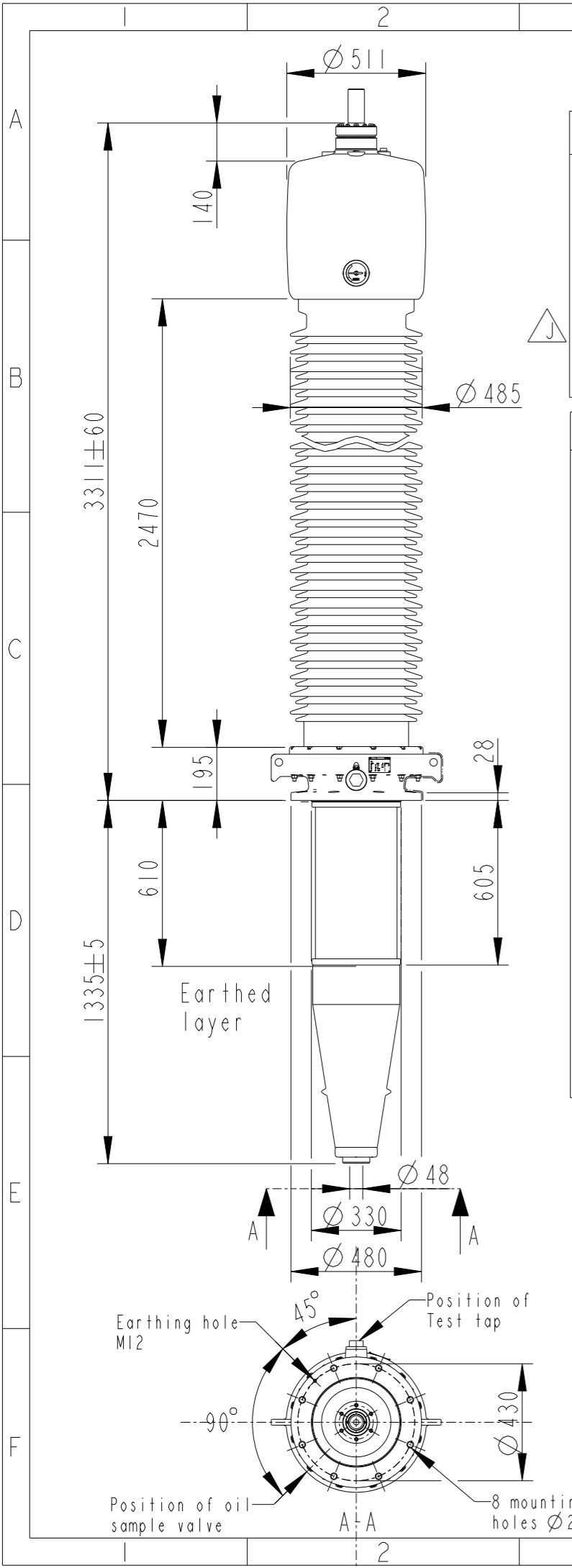


This document is issued by means of a computerized system. The digitally stored original is electronically approved. The approved document has a date entered in the "Approved"-field. A manual signature is not required.

We reserve all rights in this document and in the information contained therein. Reproduction, use or disclosure to third parties without express authority is strictly forbidden. © 2022 Hitachi Energy.



Bushing Data:

Rated Voltage	362 kV
Phase to-earth Voltage	209 kV
Dry Lightning Impulse 1,2/50µs	1175 kV
Wet Switching Impulse	850 kV
Wet Power frequency AC	N/A kV
Routine test Imin dry 50Hz	560 kV
Rated Current	3150 A
Creepage Distance	9120 mm
Mass	845 kg

Ordering Data:

BUSHING		COLOUR AIR INSULATOR		
1ZSC902362-AAB		BROWN		
1ZSC902362-BAB		GREY		
OUTER TERMINAL		Max. Rated Current (A)	H2 (mm)	D2 (mm)
LF170 073-A	Al	2500	125	60
LF170 073-B	Cu	4000	125	60
LF170 073-G	Cu/Ag	4000	125	60
LF170 073-L	Cu/Sn	4000	125	60
LF170 073-BA	Cu/Ag	3000	125	2"-12UN
LF170 073-AA	Cu	5000	125	96

END-SHIELD

LF170 046-U	EPOXY INSULATED
LF170 046-UP	INSULATED WITH 3 mm PRESSBOARD

DRAW ROD SYSTEM

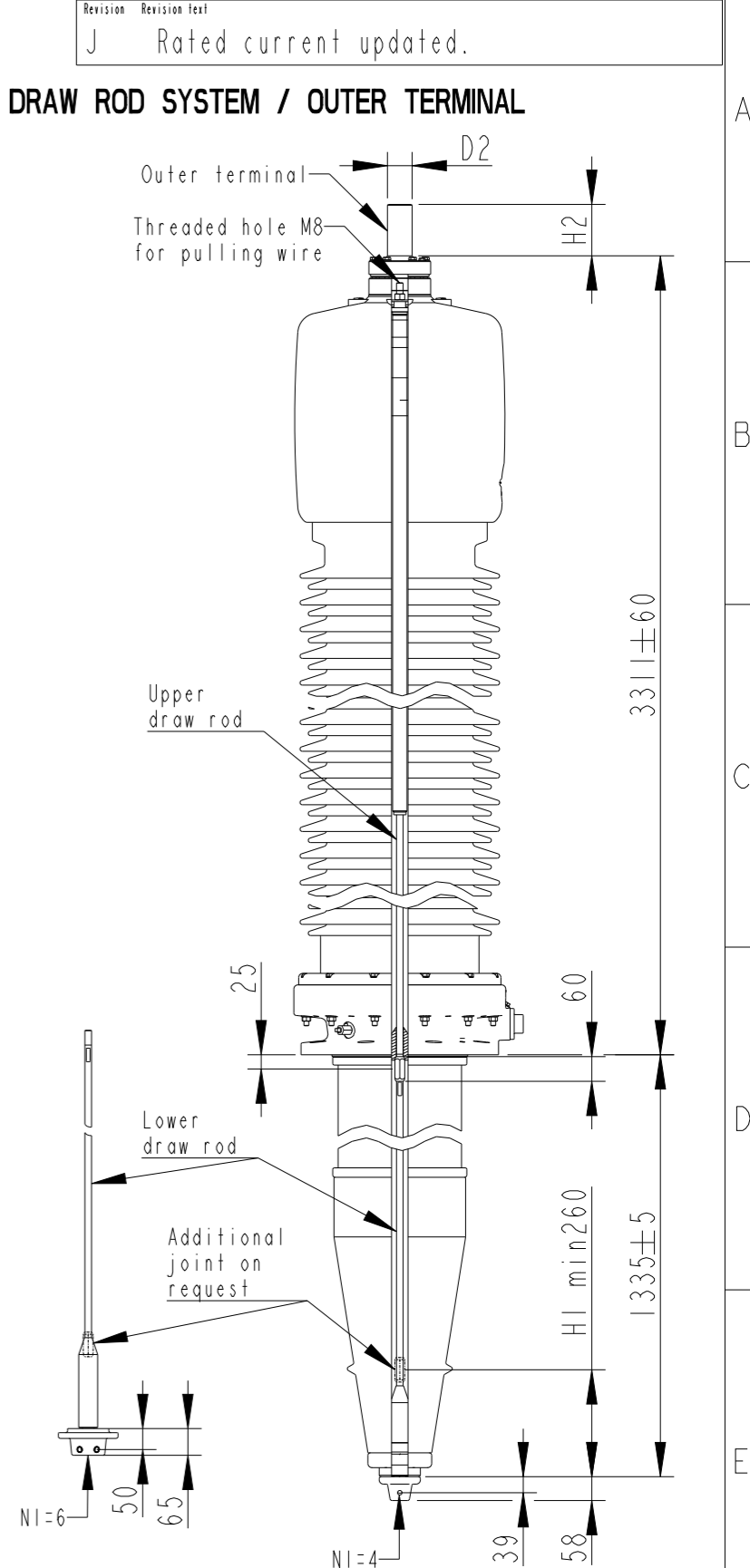
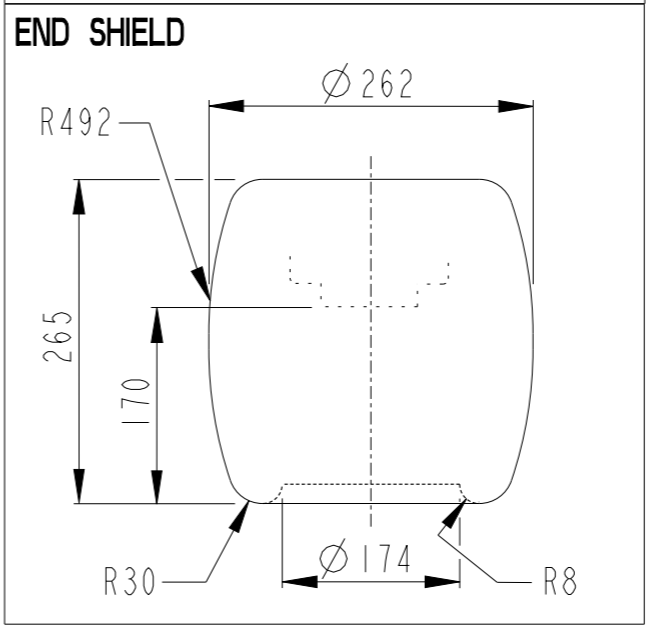
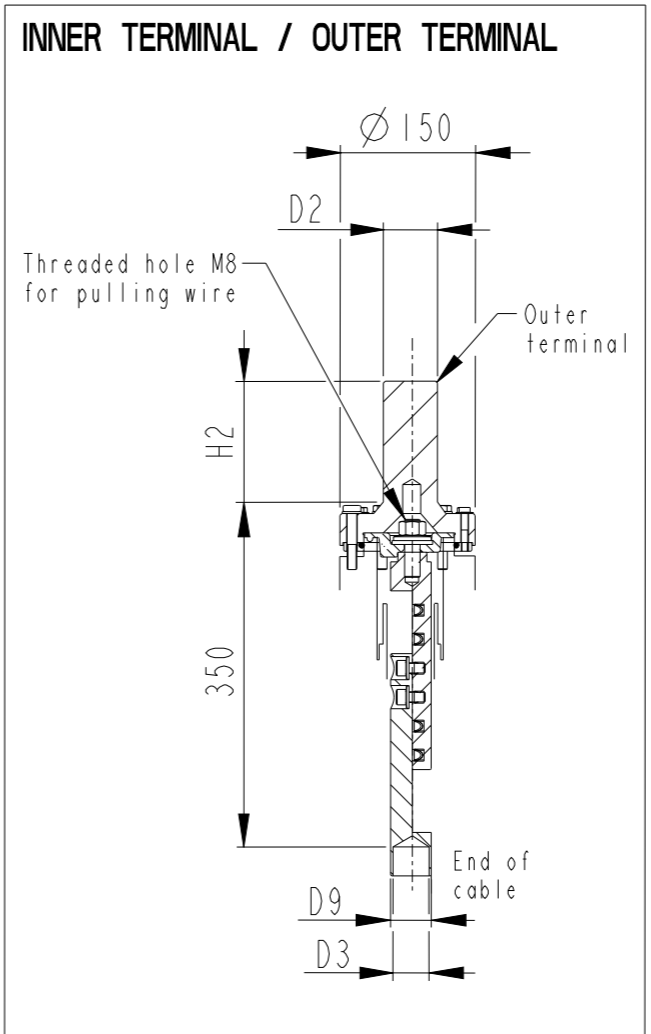
LF170 059	LOWER DRAW ROD WITH NI=4 OR NI=6
LF170 057	UPPER DRAW ROD

INNER TERMINAL

	D3 (mm)	D9 (mm)	Cond.area (mm ²)	Current (A) IEC	Current (A) IEEE
LF170 056-E	0 *)	45	-	-	-
LF170 056-D	40	45	600	1600	1360

*) WITH PILOT HOLE D=5

ABB		Ludvika, Sweden	
No.	Um/Uy	kV Ir	A 50/60 Hz
BIL	kV SIL	kV AC	kV
M	kg L	mm	✓
C1	pF	Tan δ	x
C2	pF	Tan δ	x



NI=Number of holes M12, equipped with thread insert with screw lock, depth 20, for cable lugs.

DOCUMENT KIND	APPROVED	TITLE / SUPPLEMENTARY TITLE	GOE 1175-850-3150-0.6
Dimension Drawing	2022-12-22	GOE 1175-850-3150-0.6	
RESPONSIBLE DEPARTMENT	SEABB-9AAE300824	DOCUMENT ID	2751369-316
RESPONSIBLE COMPANY	Hitachi Energy Sweden AB	STATUS	Approved
		REVISION	J
		SHEET	1/1