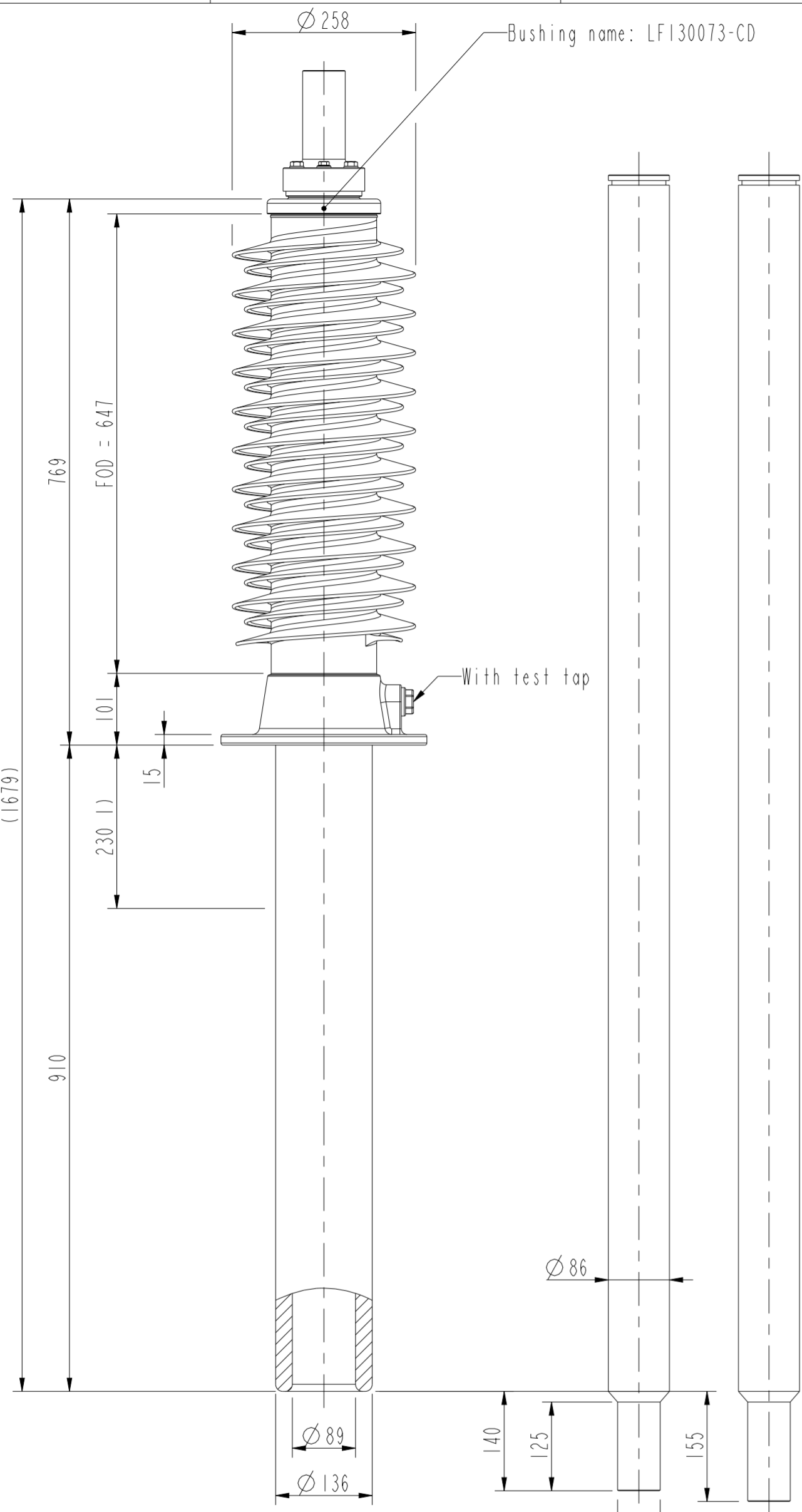


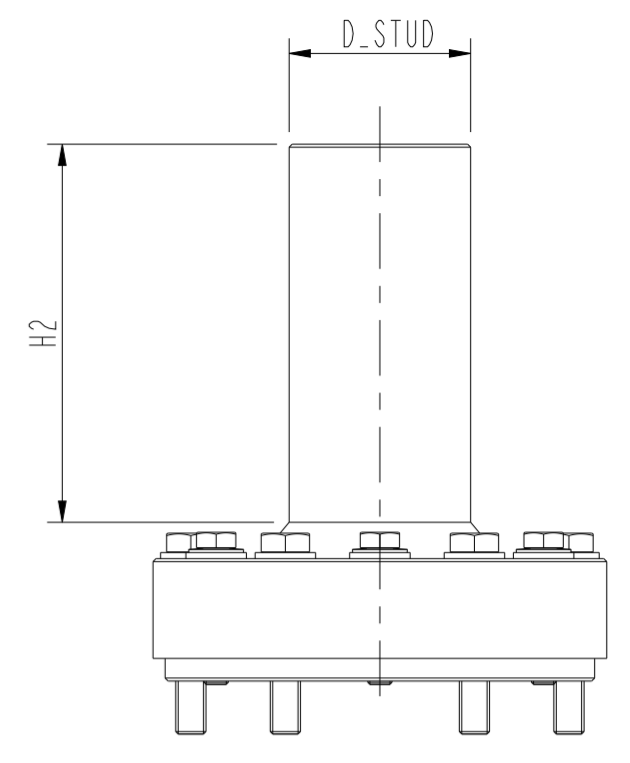
This document is issued by means of a computerized system. The information and data are correct as of the date of approval. The approved document has a date entered in the approved field. A manual signature is not required.

The information contained in this document has to kept strictly confidential. Any unauthorized use, reproduction, distribution, modification or disclosure of this document is prohibited. ABB reserves all rights regarding intellectual property rights. © Copyright 2013 ABB. All rights reserved.

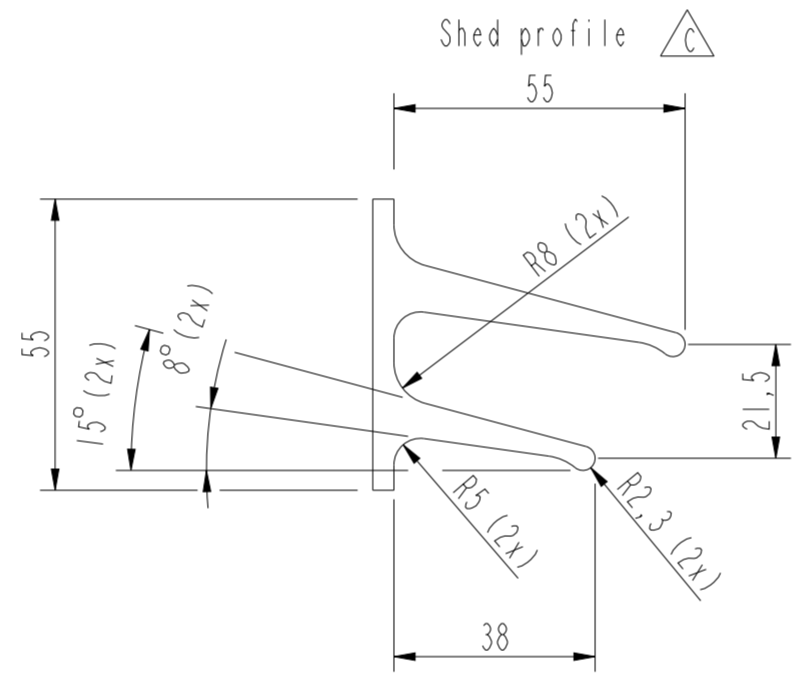


SOLID ROD			
Catalogue No.	D_STUD	MATERIAL	MASS
LF170081-ABCD	60	Cu	93
LF170081-BBCD	40	Cu	91
LF170081-CBCD	30	Cu	90
LF170081-DBCD	60	Al	28
LF170081-EBCD	40	Al	27
LF170081-FBCD	30	Al	27
LF170081-KBCD	60	Al	28

OUTER TERMINAL				
Catalogue No.	D_STUD	H2	MASS	MATERIAL
LF170079-BA	60	125	2,9	AL
LF170079-BB	30	125	2,2	AL
LF170079-BC	60	125	7,5	CU
LF170079-BD	30	125	4,9	CU
LF170079-BE	60	140	7,9	AL
LF170079-BF	60	140	7,9	CU



LF170081-KBCD



1) Maximum space for wall and CT.

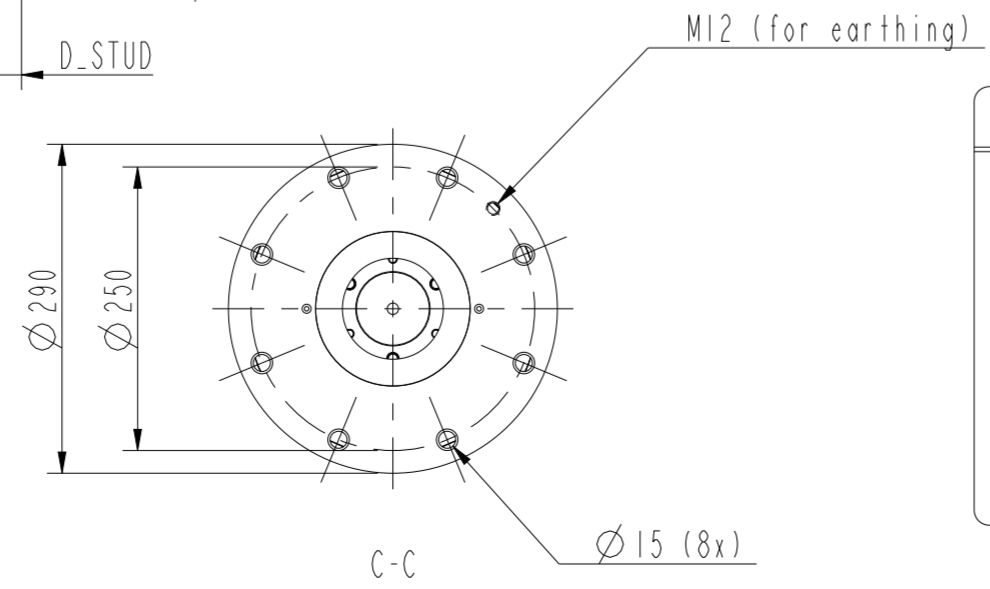
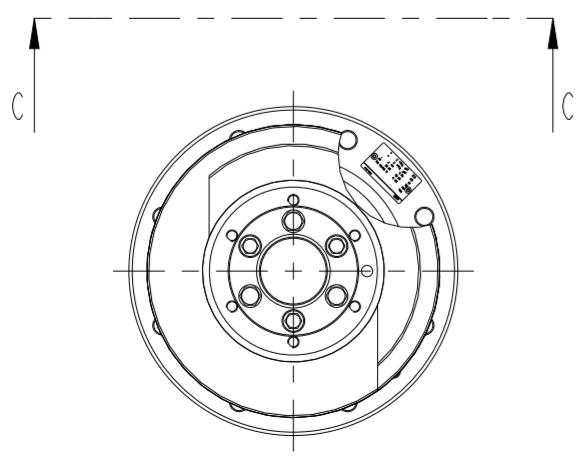


ABB		Ludvika, Sweden	
GSA 73-AA/4000	LF130073-CD		
No.			
Um 73	kV Ir	4000 A	50/60 Hz
BIL 350	kV SIL	-	kV AC 140 kV
M 28	kg L	362 mm	∠ 0-90°
C1	pF Tan δ	∅	x
C2	pF Tan δ	∅	x

ELECTRICAL DATA acc. to IEC 60137			
Ratings	Rated voltage	73	kV
	Max. phase to earth voltage, temporary	73	kV
	Max. current with Cu-conductor	4000	A
	Max. current with Al-conductor	3150	A
	Dry lightning impulse	350	kV
	Wet power frequency	140	kV
Routine test	Dry power frequency	140	kV
Capacitance	Nominal capacitance	756	pF

GENERAL DATA			
Silicone rubber insulator	Creepage distance	2323	mm
	Protected creepage distance	1000	mm
	Color	Light gray	ANSI 70
Mass	Mass bushing	28	kg
Cantilever load	Cantilever test load, heavy load outdoor	4000	N
	Max. cantilever operating load, bushing	2000	N
Temp. class	According to IEC 60137	Class	3
Mounting and service instructions	2750515-133		

ELECTRICAL DATA acc. to ANSI C57.19.00			
Ratings	Insulation class	69	kV
	Rated max. line to ground voltage	44	kV
	Max. current with Cu-conductor	4000	A
	Max. current with Al-conductor	3150	A

Dim. requirements acc. to C57.19.1 not fulfilled			
Prepared	2016-11-02	Responsible department	Title
Leif Roosgårdh		PGCO/BK	
Modified by	2017-08-22	Take over department	Bushing GSA 73-AA/4000
Leif Roosgårdh			
Approved by	2017-08-22	Used in product	Genomföring GSA 73-AA/4000
Johan X Eriksson			
Revision	C Shed profile updated.		Order
		Document no.	2751362-BCD
		No. Shits.	(1)

