

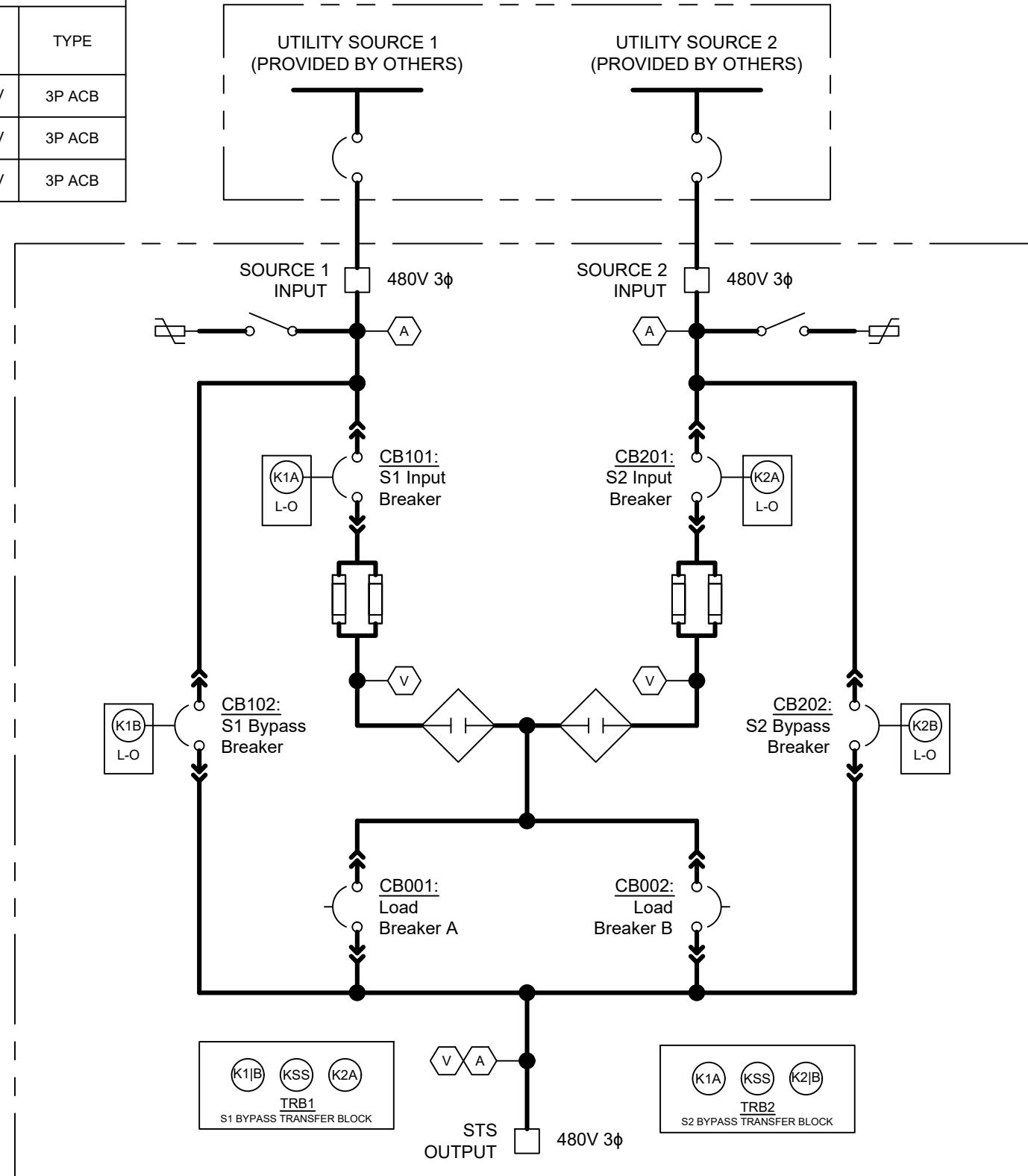
We reserve all rights in this document and in the information contained therein. Reproduction, use or disclosure to third parties without express authority is strictly forbidden. © Copyright 2014 ABB.

TABLE 1.1: OCPD RECOMMENDATIONS

STS AMPERES	MAXIMUM AVAILABLE FAULT CURRENT (RMS SYMMETRICAL)	MAKE	MODEL	RATING	TYPE
3000A	65kA @ 480VAC	ABB	EMAX2 E4.2 S-A	3000A, 600V	3P ACB
	100kA @ 480VAC	ABB	EMAX2 E4.2 V-A	3000A, 600V	3P ACB
4000A	100kA @ 480VAC	ABB	EMAX2 E6.2 V-A	4000A, 600V	3P ACB

NOTES:

1. INSTALLATION SHALL COMPLY WITH ALL APPLICABLE NATIONAL, STATE, AND LOCAL CODES.
2. REFER TO PRODUCT DOCUMENTATION FOR ADDITIONAL DETAILS PRIOR TO INSTALLATION AND SITE PREPARATION WORK.
3. THE ONELINE DIAGRAM PROVIDES AN OVERVIEW OF THE POWER STAGE OF THE TYPICAL STS AND IS NOT REPRESENTATIVE OF ITS PHYSICAL LAYOUT. REFER TO THE OUTLINE DIAGRAM FOR DETAILS.
4. THE STS IS DESIGNED FOR CONNECTION TO 480VAC 3 ϕ , 3W SOLIDLY GROUNDED SOURCES ONLY. CONTACT ABB IF OTHER.
5. UPSTREAM OVERCURRENT PROTECTION IS REQUIRED, REFER TO TABLE 1.1 FOR RECOMMENDATIONS.
6. MAXIMUM RATED SHORT CIRCUIT CURRENT IS 100kA.



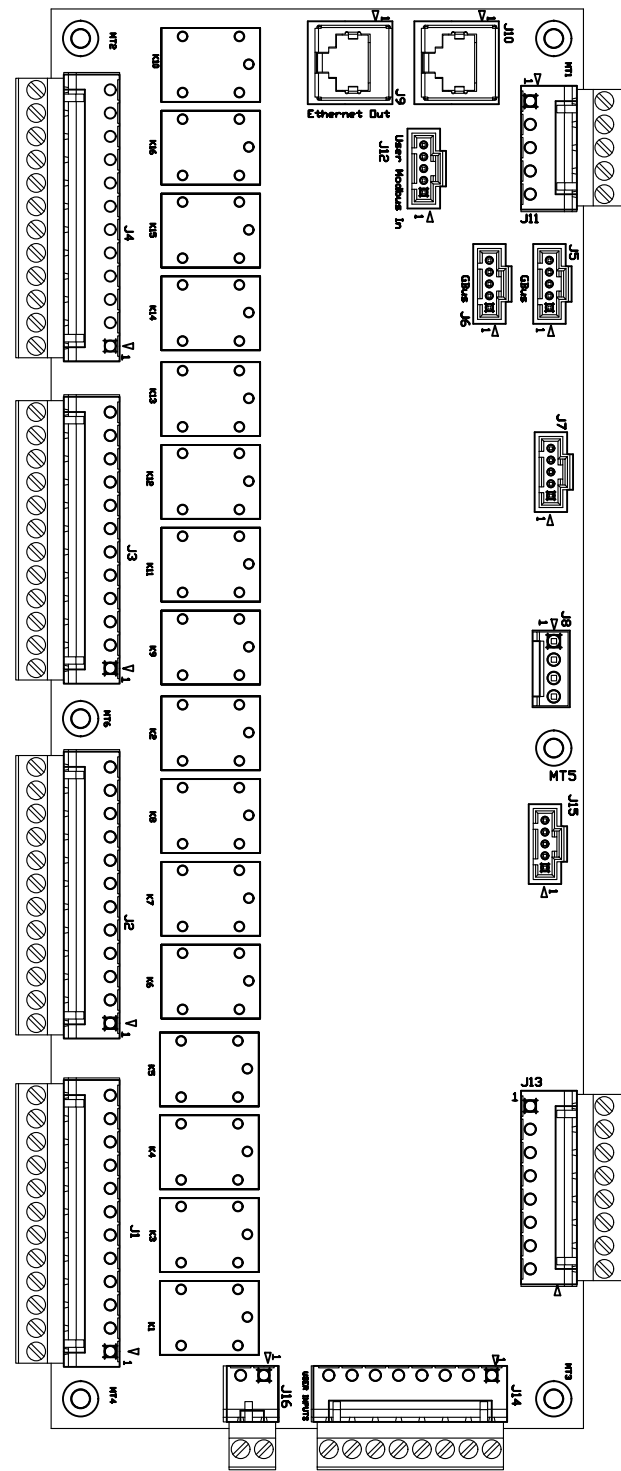
LEGEND:

- AC SWITCH
- DISCONNECT SWITCH
- SPD (MOV)
- INTERLOCK, LOCK OPEN KEY REMOVED
- POWER
- INTERLOCK
- CONTROL
- TERMINAL
- FUSE
- NON-AUTOMATIC SWITCH
- INTERLOCK KEY, NUMBER _|_
- CURRENT SENSING
- VOLTAGE SENSING

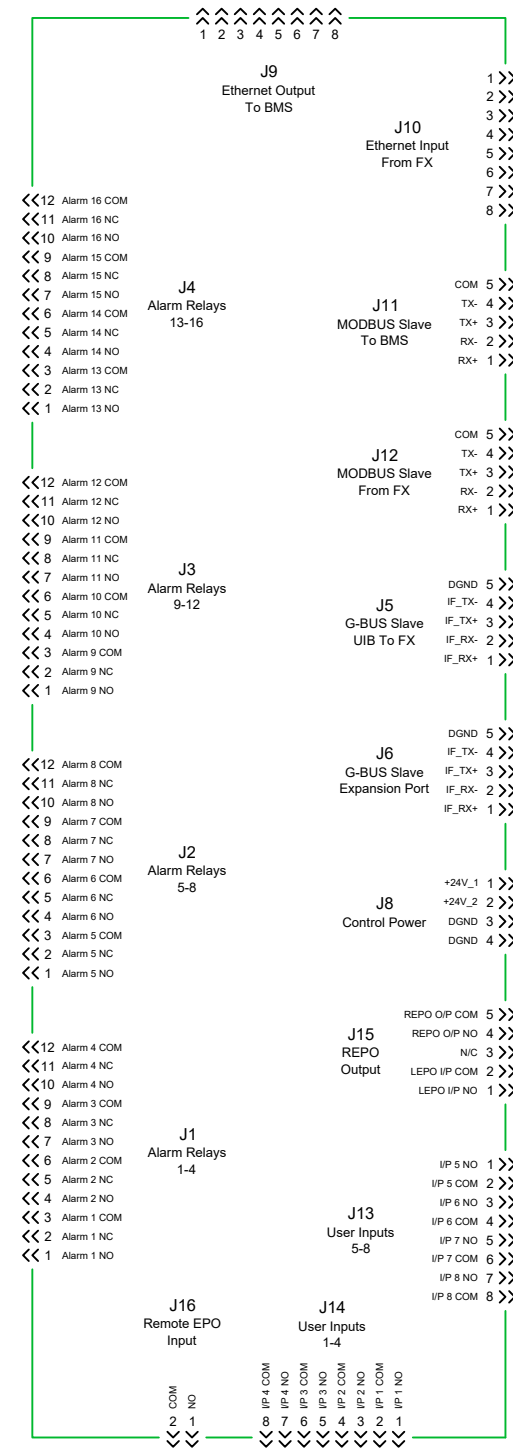
Prepared T. Kendzia	Title ONELINE DIAGRAM: SS4 3000/4000A, 480V, POWER STAGE
Reviewed C. Belcastro	
Approved C. Belcastro	ABB Division/Dept. Power Solutions

Item ID 94-7300-0000193	Item Rev. A0	Date Drawn 04/23/2020
Document ID ONE-00089698	Doc. Rev. A0	Sheet Size B
Document Kind CircuitDiagram		Page 1 / 2

Rev.	ECN#	Resp.	Initial Release Description	Date
A0	--	TAK	Initial Release	04/23/2020



DETAIL A
PHYSICAL LAYOUT



DETAIL B
ELECTRICAL CONNECTIONS

NOTES:

1. INSTALLATION SHALL COMPLY WITH ALL APPLICABLE NATIONAL, STATE, AND LOCAL CODES.
2. REFER TO PRODUCT DOCUMENTATION FOR ADDITIONAL DETAILS PRIOR TO INSTALLATION AND SITE PREPARATION WORK.
3. ALL CUSTOMER WIRING TO THE USER INTERFACE BOARD (UIB) SHALL BE CONSIDERED FIELD WIRING AND CONSTRUCTED OF COPPER CONDUCTORS ONLY.
4. THE FIELD WIRING CONNECTION TO J9 OF THE UIB, FOR ETHERNET / MODBUS TCP COMMUNICATIONS SHALL BE MADE USING CAT 5 CABLING.
5. ALL OTHER FIELD WIRING CONNECTIONS ARE MADE VIA PLUGGABLE SCREW TERMINALS, RATED FOR SOLID OR STRANDED WIRING SIZED #12 TO #22AWG.
6. ALL UIB OUTPUTS ARE SPDT RELAYS EQUIPPED WITH DRY FORM C CONTACTS RATED FOR 250VAC 5A, 120VAC 10A, AND 30VDC 8A RESISTIVE LOADS MAX. SEE USER MANUAL FOR DETAILS.
7. ALL UIB INPUTS ARE CONFIGURED FOR N.O. CONTACTS. SEE USER MANUAL FOR DETAILS.

Prepared T. Kendzia	Title ONLINE DIAGRAM: SS4 3000/4000A, USER INTERFACE DETAILS	Item ID 94-7300-00000193	Item Rev. A0	Date Drawn 04/23/2020
Reviewed -		Document ID ONE-00089698	Doc. Rev. A0	Sheet Size B
Approved -	ABB Division/Dept. Power Solutions	Document Kind CircuitDiagram	Page 2 / 2	

A0	--	TAK	Initial Release	04/23/2020
Rev.	ECN#	Resp.	Description	Date

Revision Table