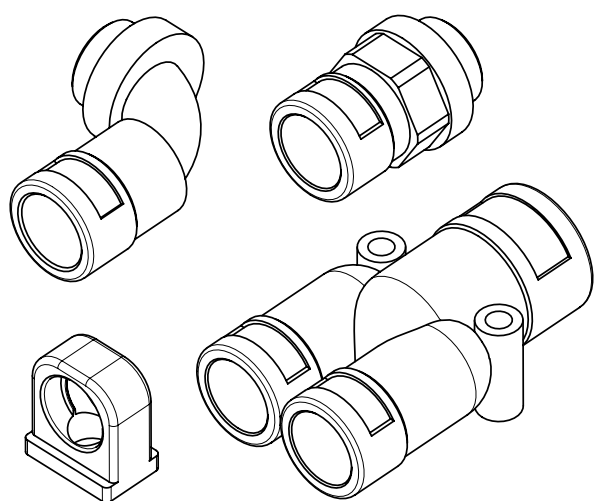


Ex eb Nylon

Non-metallic conduit systems



This equipment is destined for use by qualified and competent personnel in compliance with national laws and where applicable, IEC/EN 60079-14 Electrical Installations in Hazardous Areas.

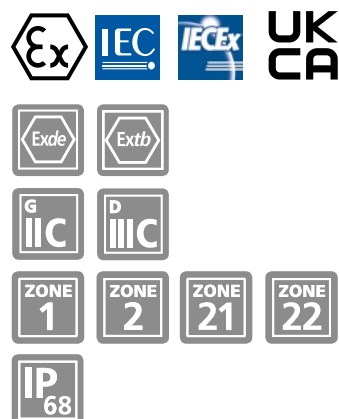
This product must not be modified in any way.
Only original parts must be used for maintenance.

The products have been designed and manufactured in compliance with the above standards, to the following protection levels:

- ⊕ II 2 GD Ex e IIC Gb Ex tb IIIC Db
- XESX02-03 -5°C to +85°C
- XESX04-09 -20°C to +85°C

Regulations	Approvals	Standards
European union: According to Directive 2014/34/EU	SEV 15ATEX0121X	EN IEC 60079-0:2018; EN 60079-7:2015; EN 60079-31:2014
United Kingdom: According to SI 2016 No. 1107:	CML 22 ATEX 3631X	EN IEC 60079-0:2018; EN 60079-7:2015; EN 60079-31:2014
IECEX:	IECEX SEV 15.0009X	IEC 60079-0:2017; IEC 60079-7:2015; IEC 60079-31:2013

Approvals:



Special Notes:

Conduit Systems should be properly supported to prevent pulling and twisting which may damage the integrity of the system, BEH conduit clips can be used to secure the conduit as required.

Instructions:

- This equipment is only suitable for use with Ex eb enclosures
- **Ex eb Threaded Entries**
Ensure a suitable sealing method is used and tighten fitting to enclosure using correct sized wrench
- **Ex eb Unthreaded Entries**
Ensure a suitable sealing method is used and secure fitting using correct locknut and wrench

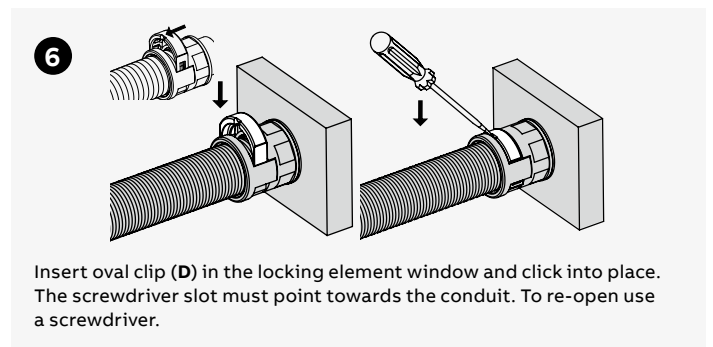
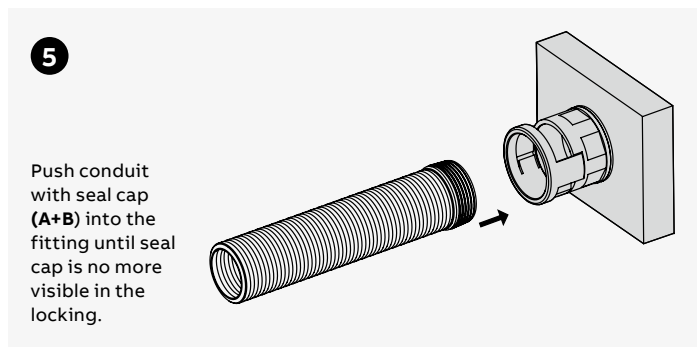
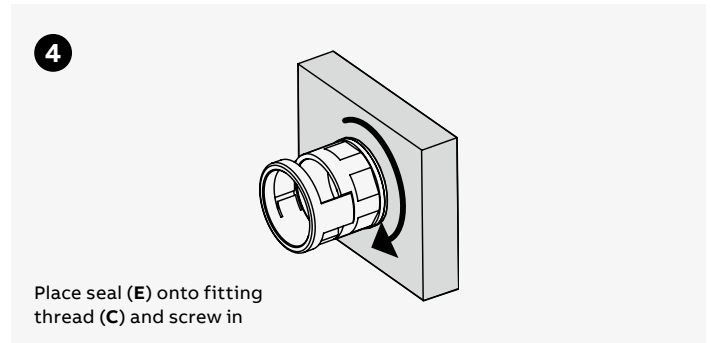
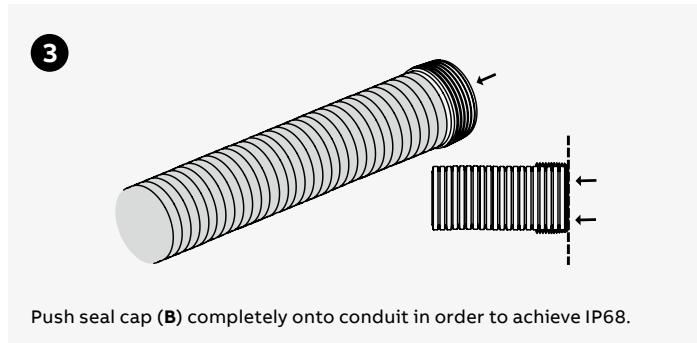
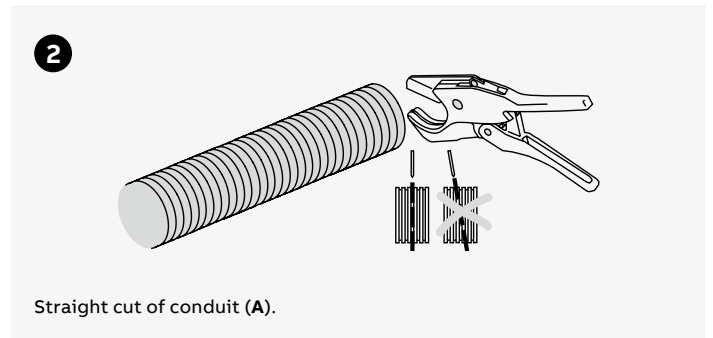
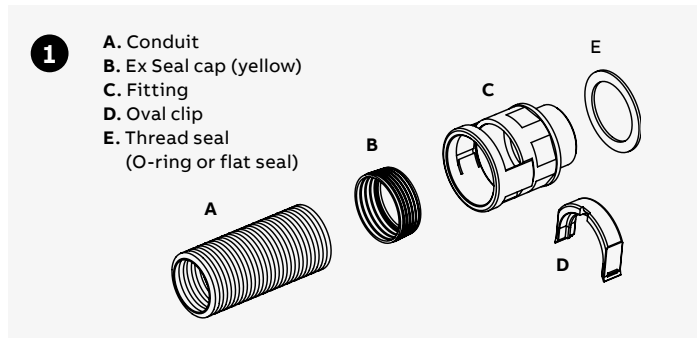
Installation Torque:

see PMA Info 35
 available on webpage in download section

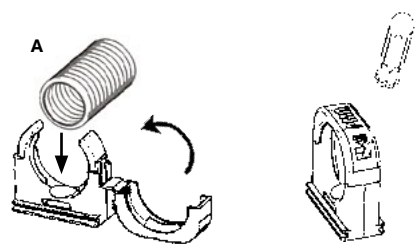
Maintenance

The inspection of this equipment should be included in the routine maintenance and inspection of the equipment to which it is installed.

Instructions Fitting Installation



Instructions BEH System support Installation



Insert conduit (A) in to the System Support and close the lock. To re-open use a screwdriver.

ABB Switzerland
 PMA Cable Protection
 Aathalstrasse 90
 CH-8610 Uster
 Tel: +41 / 58 585 00 11

new.abb.com

We reserve the right to make technical changes or modify the contents of this document without prior notice. With regard to purchase orders, the agreed particulars shall prevail. ABB AG does not accept any responsibility whatsoever for potential errors or possible lack of information in this document.

We reserve all rights in this document and in the subject matter and illustrations contained therein. Any reproduction, disclosure to third parties or utilisation of its contents – in whole or in parts – is forbidden without prior written consent of ABB AG. Copyright © 2023 ABB. All rights reserved