

# Stanilite®

## Platinum Spitfire® LED WP remote lamp head and power supply unit Nexus® - freezer



### Range

Platinum range

### Product group

Spitfire LED



### Features

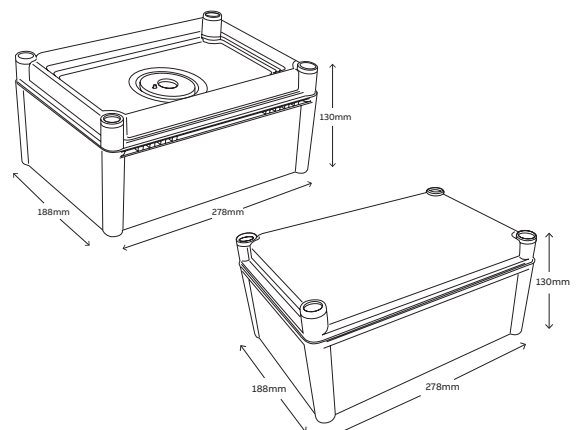
- Superior photometric classification
- COB LED technology 100,000 hours plus lamp life
- Wide area coverage optics
- Low power consumption and COB LED light source for reduced operation and maintenance costs
- Polycarbonate IP67 weatherproof enclosure
- Lamp head -30°C operation
- LiFePO4 (Lithium iron phosphate) battery combined with advanced battery charging technology for longer life
- Nexus monitored, either cabled or wireless
- Lamp head used in combination with remote power supply; lamp head mounted inside the freezer or coolroom and remote power supply mounted outside
- Surface mount
- Supplied with 1.5m interconnect cable, suitable for 25mm conduit

Catalogue no.	Description
<b>Standard products</b>	
SFBWP1LEDPLHREM	Platinum Spitfire D40 COB LED WA optics weatherproof surface mount remote lamp head
SFBWP2LEDPLHREM	Platinum Spitfire D63 COB LED WA optics weatherproof surface mount remote lamp head
SFBWPNXS1LEDPPSU	Platinum Spitfire LED weatherproof surface mount power supply unit Nexus LX for SFBWP1LEDPLHREM*
SFBWPNXS2LEDPPSU	Platinum Spitfire LED weatherproof surface mount power supply unit Nexus LX for SFBWP2LEDPLHREM*
SFBWPNRF1LEDPPSU	Platinum Spitfire LED weatherproof surface mount power supply unit Nexus RF SFBWP1LEDPLHREM*
SFBWPNRF2LEDPPSU	Platinum Spitfire LED weatherproof surface mount power supply unit Nexus RF SFBWP2LEDPLHREM*

Note: \* Remote power supply installed in a normal operating environment, eg: 25°C

### Spare parts

03-01301P	1LED with 2 Wire connection
03-01310PB	1LED/D40 COB with 3 wire connection
03-01303P	2LED/D63 COB with 2 wire connection
03-01311PB	2LED/D63 COB with 3 wire connection



### Dimensions

Length	Width	Height
278mm	188mm	130mm

### Weight

Model	Weight
Lamp head	1.8kg
Power supply unit	2.0kg

<b>Construction</b>		
<b>Part</b>	<b>Construction</b>	
Lamp head	White polycarbonate	
Weatherproof enclosure	Polycarbonate	

<b>Light source</b>		
<b>Model</b>	<b>Light source</b>	
D40 COB LED	2W	
D63 COB LED	3W	

<b>Power consumption</b>		
<b>Model</b>	<b>Power consumption</b>	
Nexus LX/RF	1.0W	

Note: Preliminary results

<b>Photometrics</b>			
<b>Model</b>	<b>Class</b>	<b>Classification</b>	
D40 COB LED	C0	D32	
	C90	D32	
D63 COB LED	C0	D50	
	C90	D50	

Note: Preliminary results

Note:

- Designed to comply with AS2293 and meet relevant Australian EMC standards