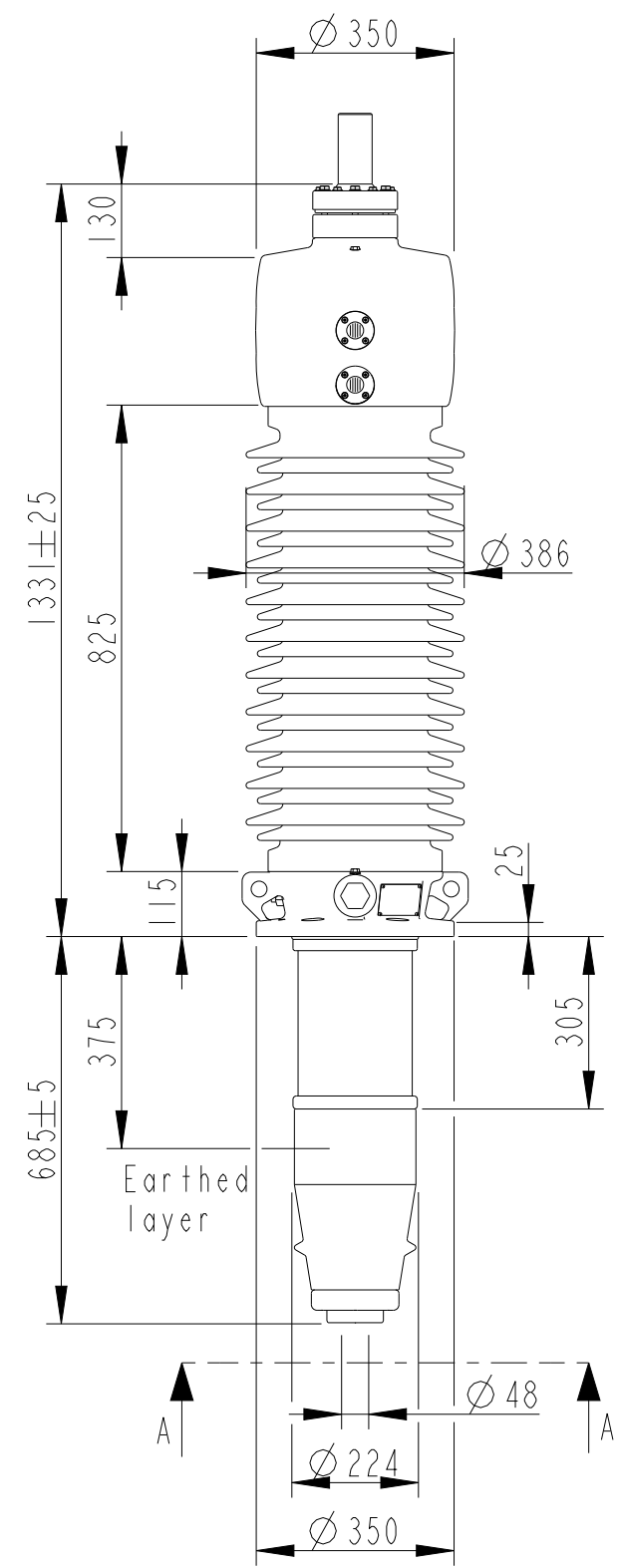


This document is issued by means of a computerized system. The digitally stored original is electronically approved. The approved document has a date entered in the "Approved"-field. A manual signature is not required.

The information contained in this document has to be kept strictly confidential. Any unauthorized use, reproduction, distribution or disclosure to third parties are strictly forbidden. ABB reserves all rights regarding Intellectual Property Rights. © Copyright 2013 ABB. All rights reserved.



**Bushing Data:**

Rated Voltage	72.5 kV
Phase to-earth Voltage	42 kV
Dry Lightning Impulse 1,2/50µs	380 kV
Wet Switching Impulse	300 kV
Wet Power frequency AC	170 kV
Routine test Imin dry 50Hz	175 kV
Rated Current	3150 A
Creepage Distance	2955 mm
Mass	240 kg

**Ordering Data:**

<b>BUSHING</b>	COLOUR AIR INSULATOR			
1ZSC902072-AAA	BROWN			
<b>OUTER TERMINAL</b>		Max. Rated Current (A)	H2 (mm)	D2 (mm)
LF170 073-A	Al	2500	125	60
LF170 073-B	Cu	4000	125	60
LF170 073-G	Cu/Ag	4000	125	60
LF170 073-L	Cu/Sn	4000	125	60
LF170 073-BA	Cu/Ag	3000	125	2"-12UN
LF170 073-AA	Cu	5000	125	96
<b>END-SHIELD</b>				
LF170 046-U	EPOXY INSULATED			
LF170 046-UP	INSULATED WITH 3 mm PRESSBOARD			
<b>DRAW ROD SYSTEM</b>				
LF170 059	LOWER DRAW ROD WITH NI=4 OR NI=6			
LF170 057	UPPER DRAW ROD			
<b>INNER TERMINAL</b>				
	D3 (mm)	D9 (mm)	Cond.area (mm <sup>2</sup> )	Current (A) IEC IEEE
LF170 056-E	0 *)	45	-	- -
LF170 056-D	40	45	600	1600 1360

\*) WITH PILOT HOLE D=5

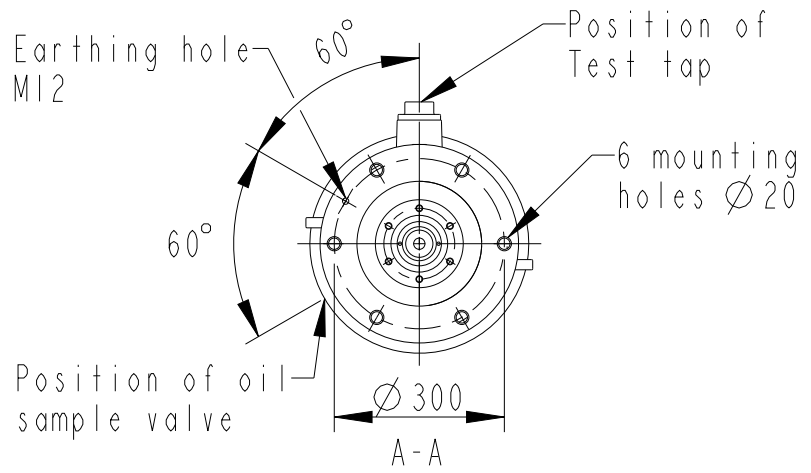
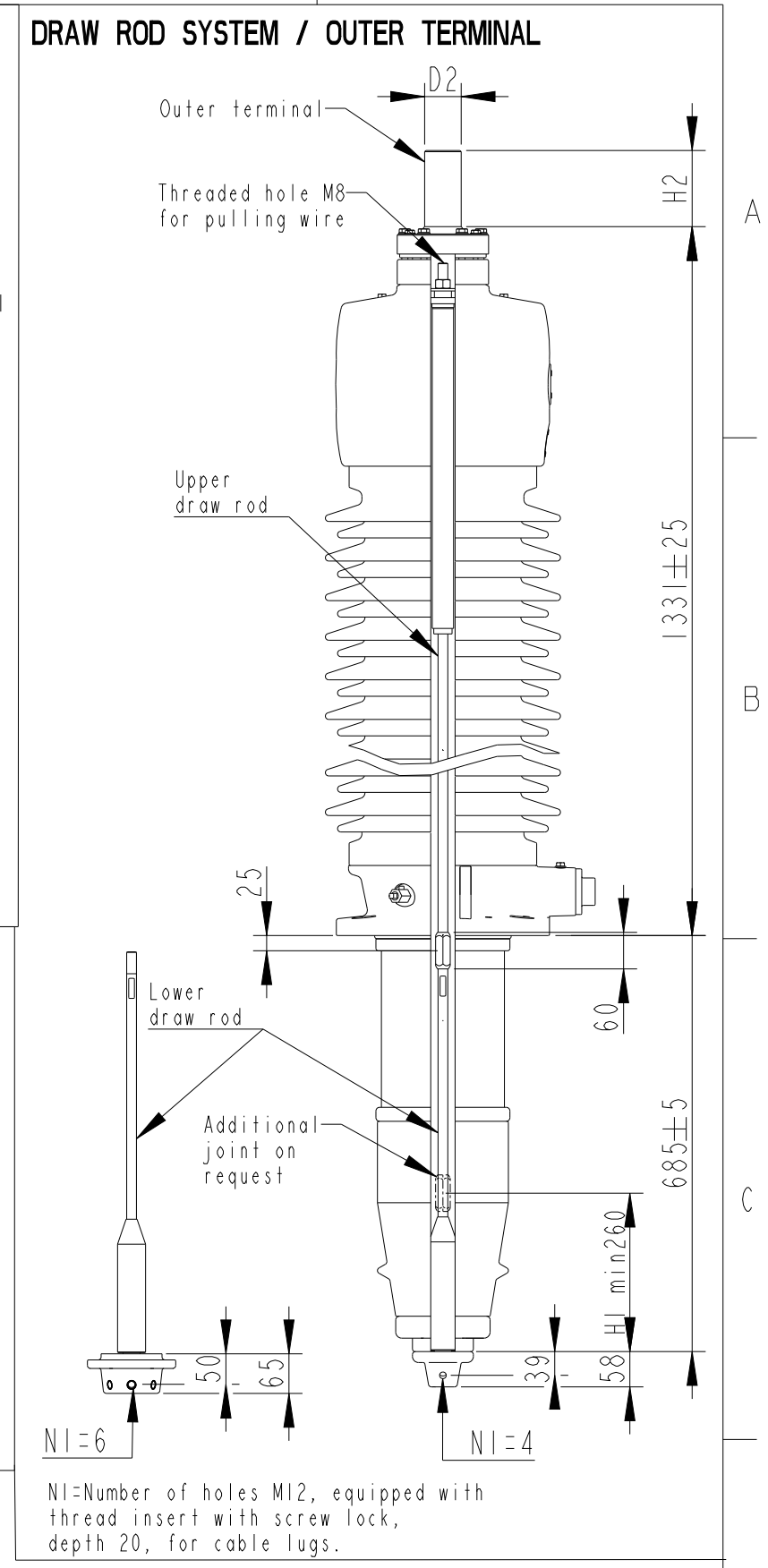
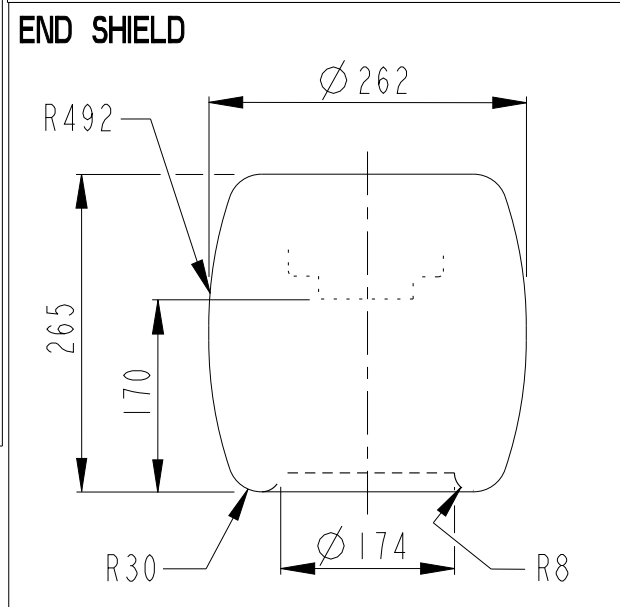
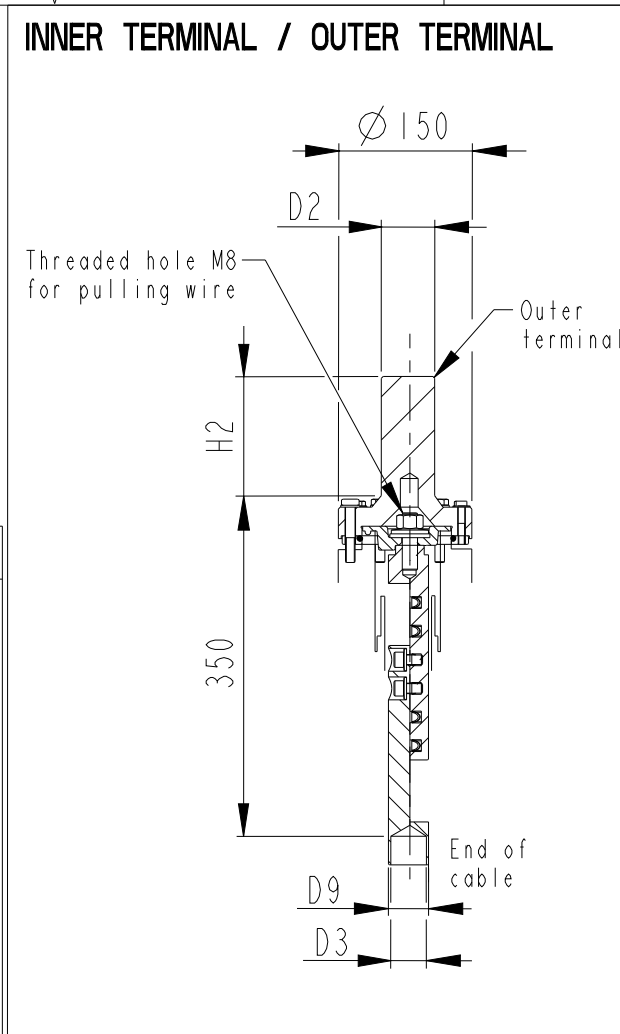


ABB Ludvika, Sweden

No.	Um/Ur	kV	Ir	A	50/60 Hz
BIL	kV	SIL	kV	AC	kV
M	kg	L	mm	✓	°
C1	pF	Tan δ		x	
C2	pF	Tan δ		x	



Prepared	Balaji.G.R	2017-06-21	Responsible department	PGCO/BK	Title	
Modified by	Balaji.G.R	2017-07-04	Take over department		GOE 380-300-3150-0.3	
Approved by	Natalia Gutman	2017-07-04	Used in product		GOE 380-300-3150-0.3	Language 82
Revision	E	Drawing display updated			Order	Sheet no. 1
Document no.					2751369-301	No. Shs. (1)

