

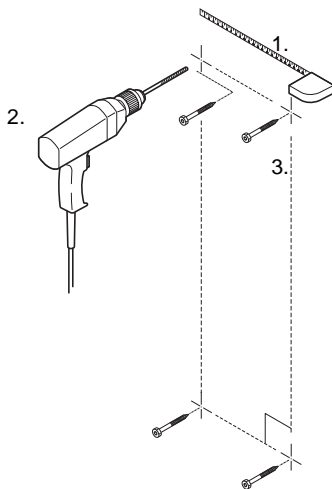
Before Starting Installation

- CHECK BOX CONTENTS: ACx 601, Manual(s), Testing report, Ordered options, Quick Guide(s)
- CHECK INSTALLATION SITE AMBIENT CONDITIONS: See Manual.
- CHECK INSTALLATION SPACE: ACx 600 free space requirements are 300 mm above and below, 50 mm on the left and on the right.
- CHECK INSTALLATION SURFACE: Vertical, smooth and solid, free from heat, damp and condensation.
- CHECK ACCESSORIES NEEDED: See Manual for fuse, supply disconnecting device and cable specifications.



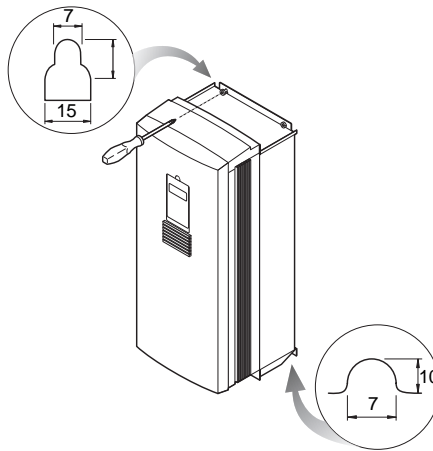
ENSURE MAINS SUPPLY TO INSTALLATION IS OFF.
LOCK THE DISCONNECTOR TO OPEN POSITION.
ACx 600 MUST BE INSTALLED BY A COMPETENT PERSON.
IF IN DOUBT DO NOT INSTALL.

1



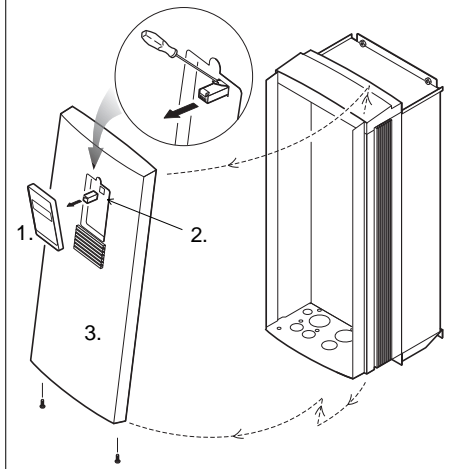
1. Measure the places for four screw holes. Mark the hole positions.
2. Drill the holes.
3. Screw in the screws.

2



- Position ACx 600 onto screws and securely tighten in all four corners. **Note:** Lift ACx 600 by its chassis, not by its cover.

3



1. Remove the Control Panel.
2. Remove the telephone connector of the Panel.
3. Remove the cover.

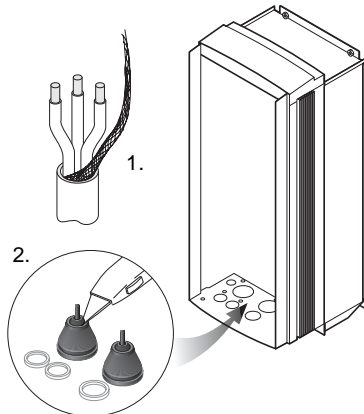
4

STOP



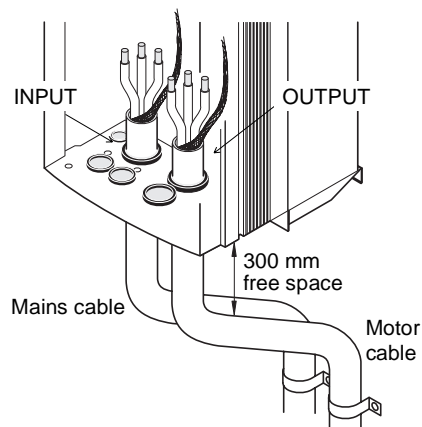
FOR INSTALLATION OF OPTIONAL EQUIPMENT, SEE SEPARATE INSTRUCTIONS INCLUDED IN THE DELIVERY.

5



1. Strip off the insulation from the motor cable and mains cable. Twist the screen wires to bundles.
2. Make suitable holes to motor and mains cable grommets.

6



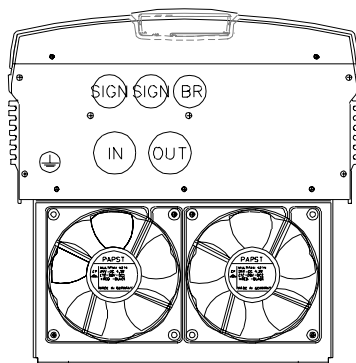
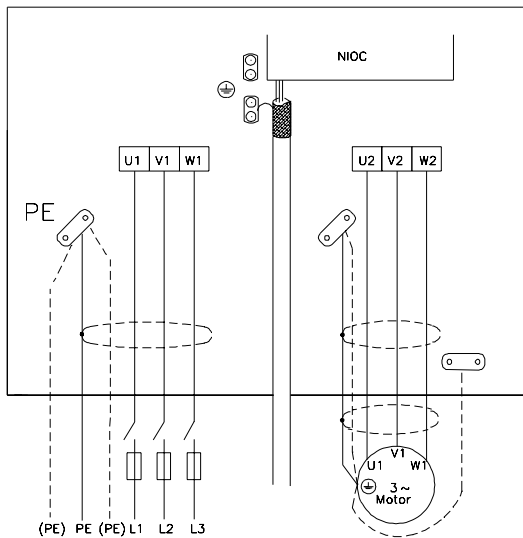
Lead the motor and mains cables through the bottom plate.

7

STOP



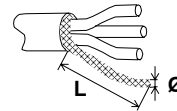
CHECK THE INSULATIONS OF MOTOR, AND MAINS AND MOTOR CABLE. See Manual.



1. Connect the motor cable.
2. Connect the mains cable. Ensure proper earthing.

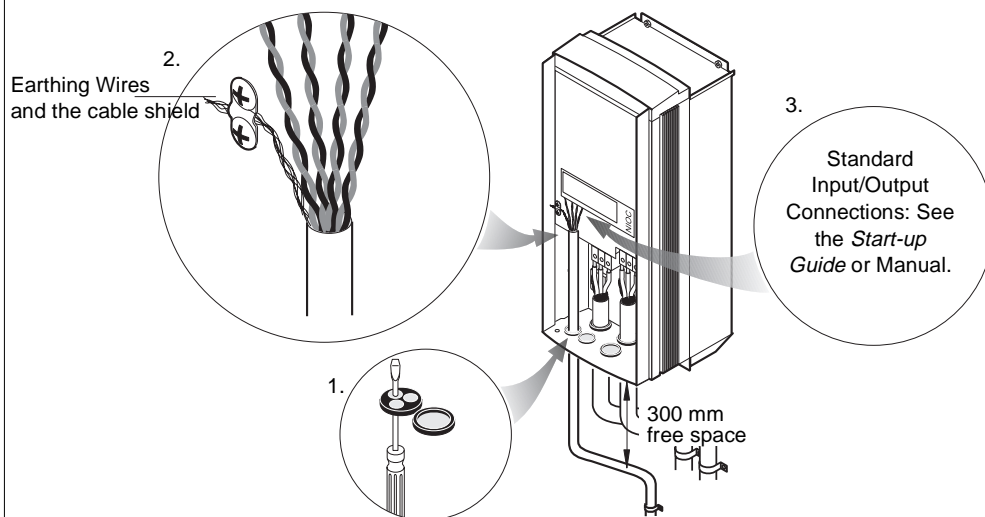
For minimal radio frequency interference (RFI) at the motor end:

1. Twisted screen: Diameter (\varnothing) $\geq 1/5 \cdot$ Length (L),



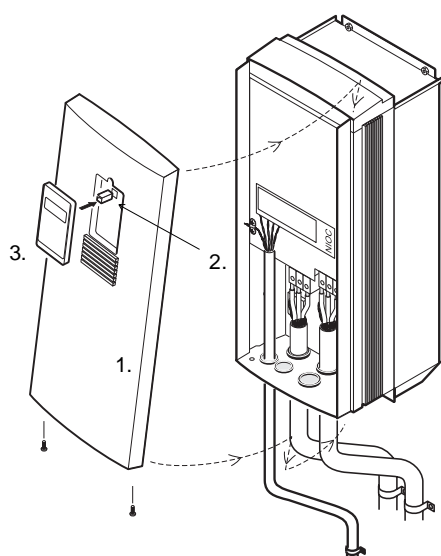
or

2. Screen 360° earthing at cable lead-through.



Control cable installation:

1. Make hole to a control cable grommet and lead the cable into the unit.
2. Connect the earthing wires and the cable shield to the earthing terminal next to the NIOC board.
3. Connect the control cables to the input/output terminals.



1. Replace the cover.
2. Replace the telephone connector of the Control Panel.
3. Replace the Control Panel.