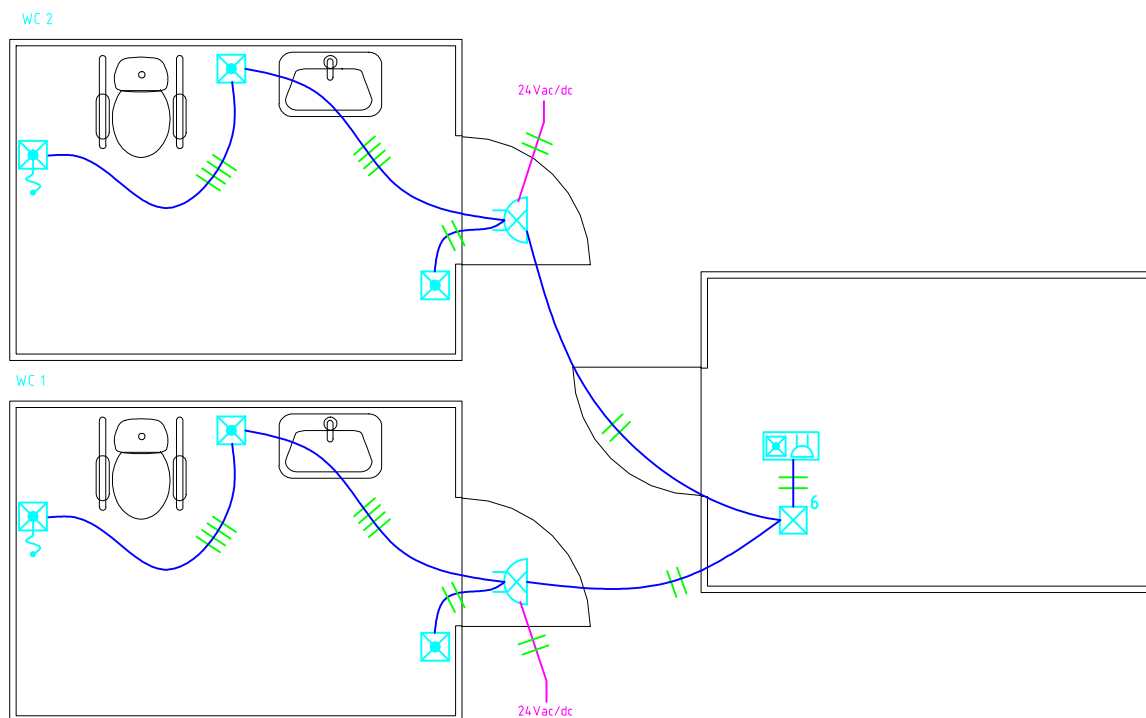












## Purpose and function

This system is designed for WC facilities for people with reduced mobility and others in need of assistance.

When the alarm button is pressed or the pullcord is pulled, the indicator light outside the WC facilities will blink and the buzzer will sound intermittently. The indicator light can detect which WC the alert is coming from and it has a buzzer that can be reset with the button. Each button has an indicator light that lets the user know that the request for assistance has been successfully made. The alert remains in effect until it is reset with the button beside the WC door.



- |   |   |   |  |
|---|---|---|--|
|  |  | Button<br>FAP2001 EAN: 6410070607216                  | - At least one call button at the floor boundary         |
|  |  | Pullcord button<br>FAP3002 EAN: 6410070607261         | - The cord should be left long enough to touch the floor |
|  |  | Alarm, single-loop<br>FEH2001 / EAN: 6410070607179    |  |
|  |  | Indicator light panel<br>FIM1300 / EAN: 6410070607537 |  |
|  |  | Button / buzzer<br>FIP1011 / EAN: 6438199005225       |  |

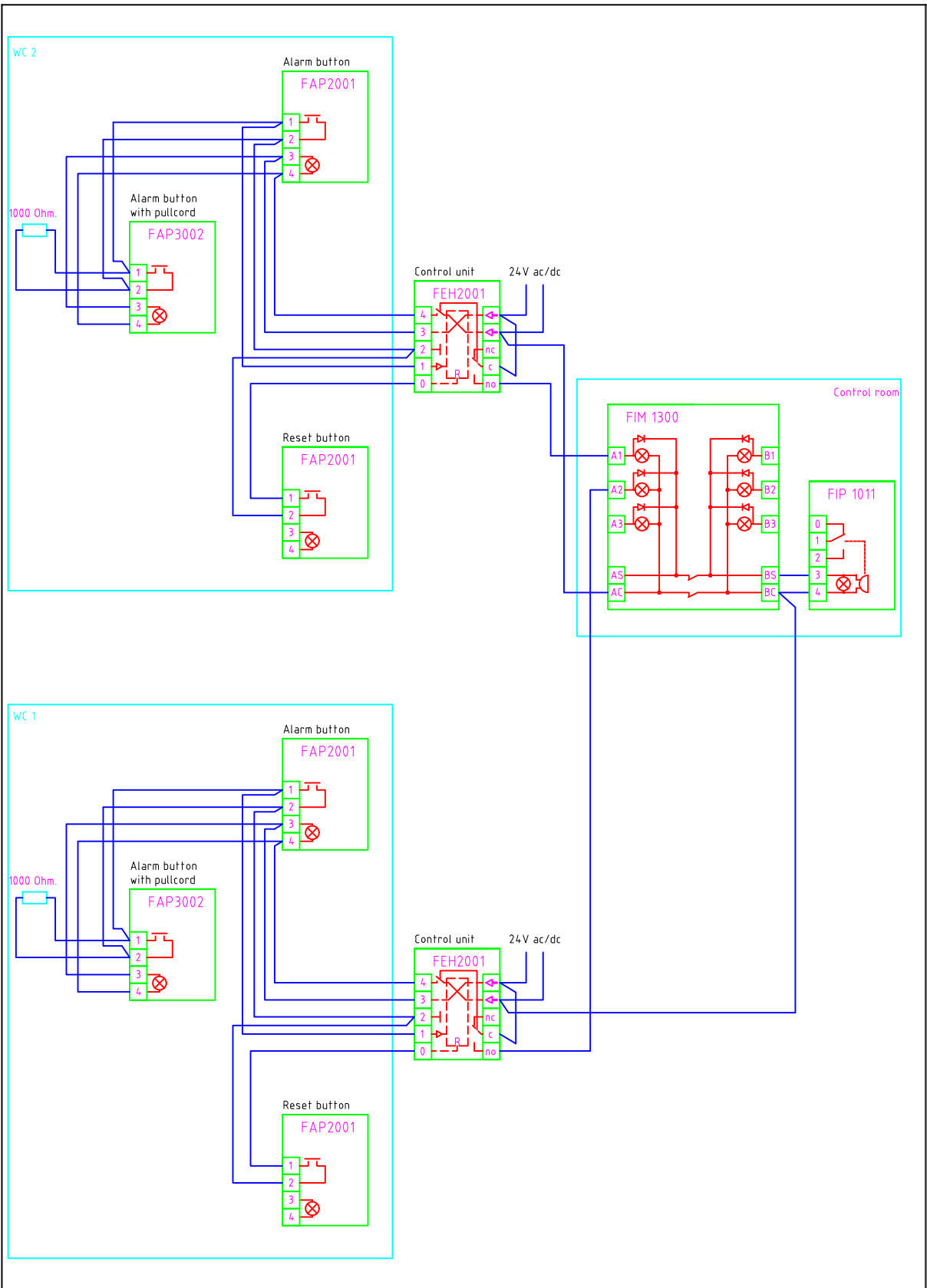


ABB Oy  
 Porvoon Sisäkehä 2, P.O.Box 16  
 06101 Porvoo, Finland  
 Tel. +358 10 22 11  
 www.installationmaterials.com



### Accessible toilet alarm (FEH2001) with follow-up alarm

- Special features of the system:
- Centralized control with FIM1300 indicator panel