

Hazlux® 6 DFP LED

An energy-efficient alternative when sturdy vapor and dust proof lighting is required. A wide range of lumen output makes this your go-to fixture for a variety of applications.

Hinged front door frame with hinged ballast tray

Performance ranges from 2,800 to 9,900 lumens

Front access fixture for hazardous locations

Available in 2, 3, 4, 5 and 6 lamp configurations

CLASSIFICATION

CLASS I	
Division 2	Groups A, B, C, D
CLASS II	
Division 2	Groups F, G
CLASS III	

Contact your ABB sales representative to verify classification

CERTIFICATIONS



UL844
UL 1598 wet/damp
UL8750



Hazlux® 6 DFP LED

Key features and benefits

Standard Features

- Front access fixture for hazardous locations
- Hinged front door frame with hinged ballast tray
- Spring-loaded lamp holders – standard
- Available in 2, 3, 4, 5 and 6 lamp configurations
- Multiple hub locations can meet most wiring needs

Construction

- Sturdy 18 gauge steel white powder-coated housing
- 3/16" tempered glass lens
- Zinc latches

Electrical

- Available with low or standard ballast factor
- Wattage ranging from 25 W in the 2-lamp low ballast factor, to 87 W in 6-lamp standard ballast factor configuration (see wattage table below)
- Through-feed wiring
- Voltage of 120 to 277 and 347 available
- Superior CRI (80+)

Options

- Adjustable surface-mount brackets
- Cable mount
- Wire guard
- Acrylic lens
- 3-wire whip

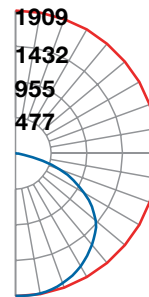
Accessories

- Chain or cable mount kit
- Adjustable surface or vertical mounting bracket

Photometry ceiling mount

Reference data	
Catalog number	DFPLEDS4K434PFT
Luminaire lumens	5,737 Lumens (4 Lamps)
Luminaire efficacy rating (LER)	97
Input watt	59.03
Spacing criterion (0-180)	1.26
Spacing criterion (90-270)	1.36
Spacing criterion (diagonal)	1.44

Candlepower curve



T-Ratings

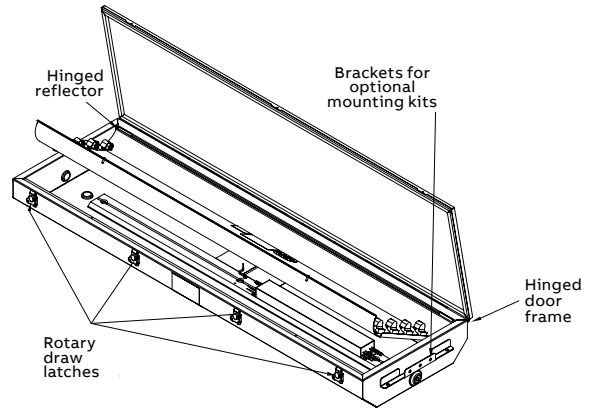
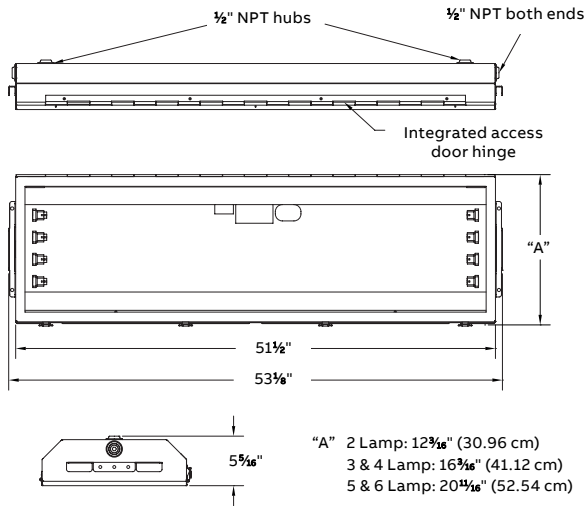
Model	Rated ambient (°C)	Class I	Class II	Class III
		Division 2 Groups A, B, C, D	Division 2 Groups F, G	
DFPLED	40	T5 (100 °C)	T4A (120 °C)	T4A (120 °C)

Performance

Lamp qty.	Source (ballast factor)	Average system watts	Initial lumen output	Color temperature
2 Lamp	S - Standard	29	3200, 3300	4000K, 5000K
3 Lamp	S - Standard	43.5	4800, 4950	4000K, 5000K
4 Lamp	S - Standard	58	6400, 6600	4000K, 5000K
5 Lamp	S - Standard	72.5	8000, 8250	4000K, 5000K
6 Lamp	S - Standard	87	9600, 9900	4000K, 5000K

Hazlux® 6 DFP LED

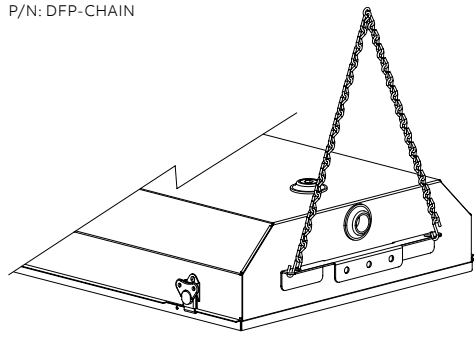
Dimensions



Mounting options

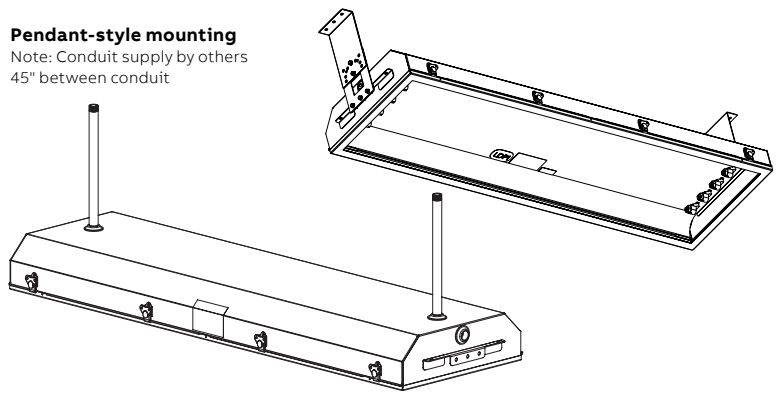
Chain kit

P/N: DFP-CHAIN



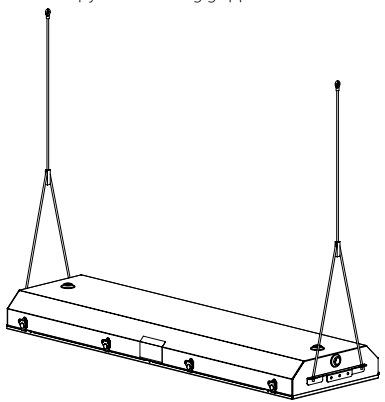
Pendant-style mounting

Note: Conduit supply by others 45" between conduit



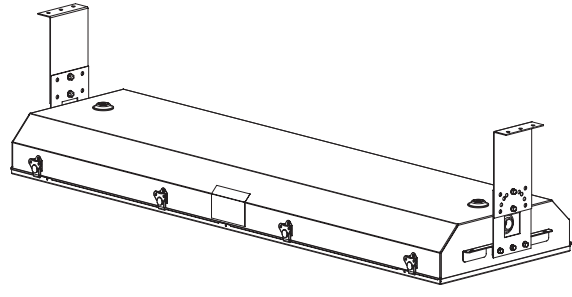
Cable hang kit

P/N: DFP-CABLE (zinc coated), Qty 2 cables with toggle ends and qty 2 self-locking gripples



Adjustable surface-mounting bracket kit

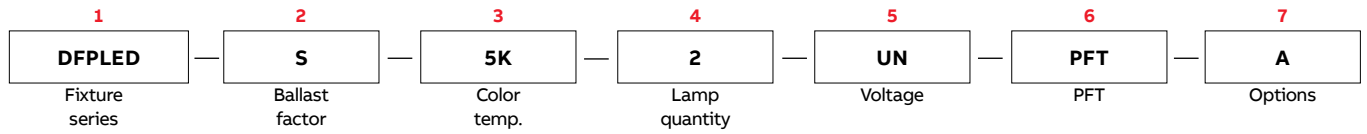
P/N: DFP-SURFACE (galvanized), toggle ends and qty 2 self-locking gripples



Hazlux® 6 DFP LED

Numbering system

Lighting fixture



Lighting fixture

Part	Part number	Description
1 Fixture series	DFPLED	Hazlux vapor / dust proof lighting
2 Ballast factor	S	Standard ballast factor
3 Color temperature	4K	4000K
	5K	5000K
4 Lamp quantity	2	2 lamp configuration, 4' length
	3	3 lamp configuration, 4' length
	4	4 lamp configuration, 4' length
	5	5 lamp configuration, 4' length
	6	6 lamp configuration, 4' length
5 Voltage	UN	Universal 120–277 volt 50/60 Hz
	34	347 Volt
6 Hub	PFT	½" NPT hubs on top and side

Options

Part	Part number	Description
7 Options	KH	Adjustable mounting brackets for surface mount
	CX	Cable mount (with 5' cable)
	PW	3-Wire whip
	WG	Wire guard
	F	Fusing
	A	Acrylic lens
	P	Polycarbonate lens

