

INSTALLATION INSTRUCTIONS

# ReliaGear® Merchandised lighting panelboards

## ReliaGear® Merchandised 200% neutral lug kits



These instructions describe the installation of a ReliaGear Merchandised 200% neutral lug kit into a ReliaGear lighting panelboard. This kit is not for use in a standard, factory-assembled panelboard.

### Installation ReliaGear 125 A and 225 A panelboards

**WARNING**

Before attempting to install one of these kits, remove all power from the panelboard.

Use the following procedure to install a ReliaGear Merchandised 200% neutral lug kit into a ReliaGear 125 A or 225 A lighting panelboard, as illustrated in figure 1. The catalog numbers, lug type and wire range for each available kit are listed in table 1.

Table 1. Catalog numbers of 200% neutral lug kits for installation in ReliaGear 125 A and 225 A lighting panelboards.

Cat. no.	Lug type	Wire range	Qty.
NKA	Pressure	6–350 kcmil Cu/Al	1

1. Remove the four screws securing the shield to the panelboard interior. Lift off the shield and place it and the screws aside.
2. Remove the keps nut from the neutral with no lug.
3. Install the new lug on the neutral and secure with the keps nut removed in step 2, tightened to 44 Al –60 Cu in-lb.
4. Reattach the shield to the interior with the four screws removed in step 1.

01 Installation of a ReliaGear Merchandised 200% neutral lug kit into a ReliaGear 125 A or 225 A lighting panelboard.

02 Installation of a ReliaGear Merchandised 200% neutral lug kit into a ReliaGear 400 A lighting panelboard.

## ReliaGear® 400 A panelboards



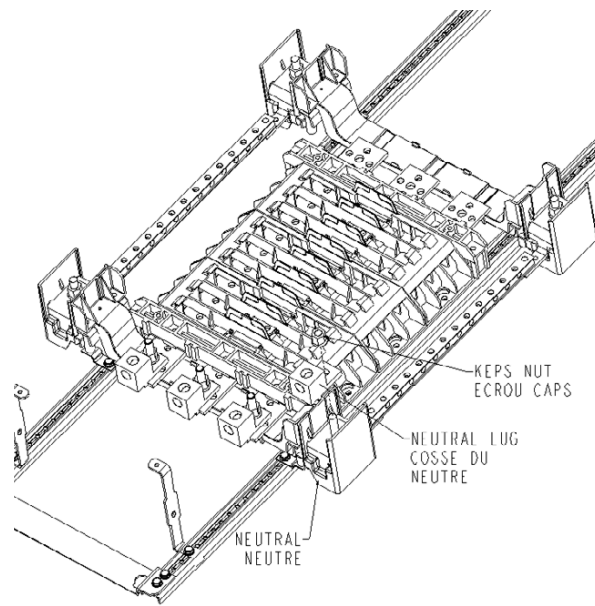
Before attempting to install one of these kits, remove all power from the panelboard.

Use the following procedure to install a ReliaGear Merchandised 200% neutral lug kit into a ReliaGear 400 A lighting panelboard, as illustrated in figure 2. The catalog numbers, lug type and wire range for each available kit are listed in table 2. Each kit contains  $\frac{5}{16}$ –18 keps nuts with the lugs.

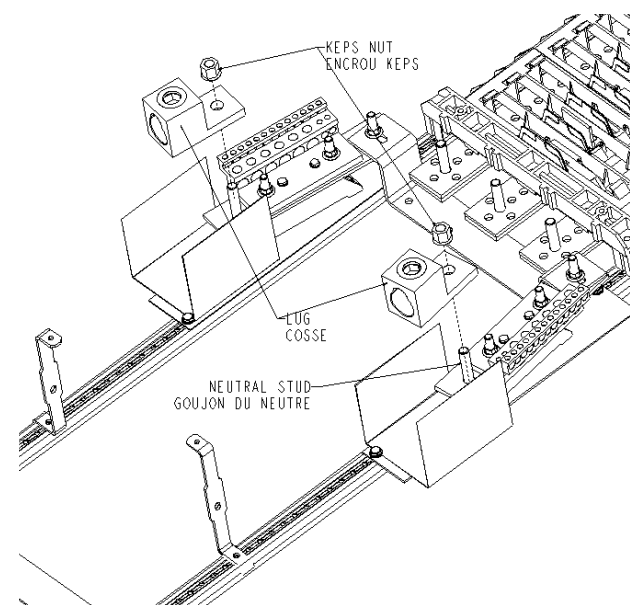
Table 2. Catalog numbers of 200% neutral lug kits for installation in ReliaGear 400 A and 600 A lighting panelboards.

Item #	Lug type	Wire range	Qty.
NKA4	Pressure	2–600 kcmil Cu/Al	1
NKA4FT	Pressure	2/0–600 kcmil Cu/Al	2

1. Remove the eight screws securing the shield to the panelboard interior. Lift off the shield and set it and the screws aside.
2. If installing a pressure lug kit (NKA4), install the new lug on the right-hand side for 400 A and two lugs for NKA4FT, as shown in figure 2.
3. Secure the new lugs with the keps nuts supplied in the kit, tightened to 100–120 in-lb.
4. Reattach the shield to the interior with the eight screws removed in step 1.



01



02