

**T&B® Rigid  
Fittings**

**In this section...**



**T&B® Rigid Fittings**

---

Overview .....	E-32–E-33
Bushings, Nipples, Locknuts and Plugs .....	E-34–E-44
Hubs and Bulkhead Fittings .....	E-45–E-52
Couplings and Accessories .....	E-53–E-64
Conduit Bodies and Covers .....	E-65–E-81
Device Boxes and Covers .....	E-82–E-95
Hazardous Location Fittings .....	E-96–E-118
Technical Information .....	E-119–E-120

## Overview

### The Complete Product Line

Since the turn of the century, Thomas & Betts has been a recognized leader in electrical fittings. Industry standards such as Chase® Nipples and Erickson® Couplings were introduced by Thomas & Betts and are still registered trademarks. This leadership continues. Here's why...



### Innovative Designs

The real test of product design of electrical fittings lies in two areas: Job-suited installation and life of the job reliability. Thomas & Betts Fittings provide both because we listen. We listen to problems and suggestions from the field. Most of the products in this section result from the good suggestions of knowledgeable electrical people. Many were customer specials to solve particular installation and performance problems. You can benefit from their experience.

### Approvals and Listings

Electrical raceways require accessory fittings that provide the mechanical strength, ground continuity and environmental integrity of the system. As new raceways have been introduced, Thomas & Betts engineers have designed fittings that meet the requirements of the National Electrical Code® as well as the listing requirements of the Underwriter's Laboratories and the Canadian Standards Association. You can use Thomas & Betts Fittings with confidence.



**Note:** In the United States, boxes and fittings are not listed or marked for use in Class 1 Division 2 locations. See NEC® 501.10(B) for the wiring methods allowed in these areas.

### High-Performance Products

Quality and performance result when engineering design skills are combined with the manufacturing technologies required to produce them. The Thomas & Betts Fittings in this section are produced from many materials and by many manufacturing methods, each carefully selected for its end use suitability. This combination gives you the reliable performance you expect from Thomas & Betts Raceway Fittings.



### Lower Installed Cost

It is a function of purchase cost, availability, installation advantage and performance. Lower installed cost comes in every carton of Thomas & Betts Raceway Fittings.

NEC and National Electrical Code are registered trademarks of the National Fire Protection Association, Inc.

## Overview

### DURA-PLATE® Finish — Corrosion-Resistant Finish Protects Fittings in Harsh Environments

DURA-PLATE® Corrosion-Resistant Fittings have a T&B plating process that provides excellent corrosion resistance on threaded steel and malleable iron fittings for use in harsh environments.

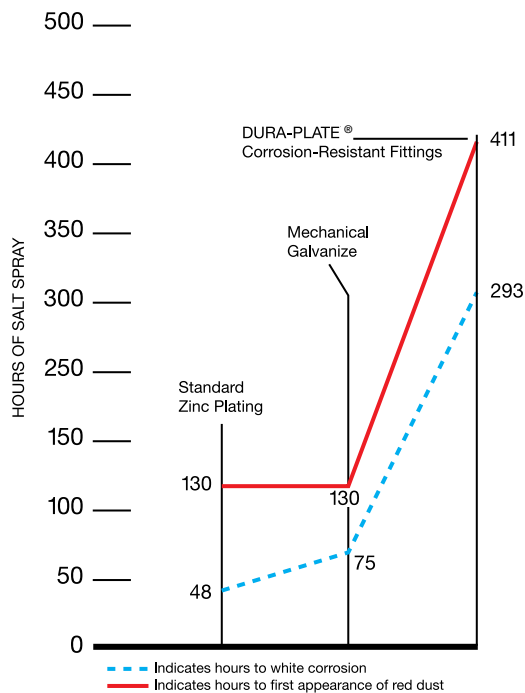
DURA-PLATE® Corrosion-Resistant Fittings utilize an electro-plating process that ensures a uniform thickness of protective material over the entire part. Conventional hot dip coatings deposit an uncontrolled buildup of material on the part, especially in threaded areas. This excess buildup must be removed to enable mating parts to function.

The process of removing this buildup in the threads in turn damages the coating and compromises the effectiveness of the protection.

An additional drawback of hot dip coating is that the lower ductility of the alloyed interface layer that is formed during the hot dip process can cause spalling if the item is deformed after coating.

In addition to the uniformity of the coating, the distinctive gold color of the plating enables immediate recognition that the part has been prepared for exposure to harsh environments and confirms the extra protection by visual inspection.

DURA-PLATE® Corrosion-Resistant Fittings have been subjected to salt spray tests conducted according to ASTM Specification B-117. The results of Corrosion-Resistant Fittings tests, along with galvanized parts, appears below:



Conduit & Fittings — T&B® Rigid Fittings



### Ordering Information

- Add the prefix “040-” to the standard catalog number — for example: a 5332 with DURA-PLATE® Corrosion-Resistant Fittings protection would be ordered as “040-5332”
- Check for catalog numbers in stock
- Allow 6–8 weeks for delivery on nonstock items
- Add 30% to price of standard item
- Minimum order is standard package quantity

## Bushings, Nipples, Locknuts and Plugs

### Locknuts



140 Series  
141AL Series



106 Series

#### Application

- To connect externally threaded conduit or connector to a threadless opening in a box or enclosure
- To effectively bond conduit or connector to box or enclosure

#### Features

- Hardened steel/malleable iron/copper-free aluminum construction
- Tightens without deformation
- Locknuts specially designed to:
  - (i) Provide extended reach for clamping on thin boxes and enclosures
  - (ii) Cut through protective coating on box and enclosure, thereby ensuring ground continuity
  - (iii) Permit tightening from outside
  - (iv) Prevent loosening under vibration
- 106 Series provided with a hardened cone-point screw

#### Standard Material

##### 140 Series & 106 Series

3/8" thru 2" steel (hardened) 2 1/2" thru 6"  
Malleable Iron  
All screws steel

##### 141AL Series

All copper-free aluminum

#### Standard Finish

All steel and malleable iron locknuts, including electro zinc-plated bonding screws and chromate coated all-aluminum locknut, degreased

#### Range

3/8" through 6" conduit (All threads straight pipe [NPS]) (140 Series)  
1/2" through 4" conduit (106 Series & 141AL Series)

#### Listings/Compliances

UL (UL File No. E-23018)  
CSA [catalog numbers 108, 109, 110 and 111. All 140 Series except catalog number 140.] (LR-2884, LR-4484)  
UL 514B  
CSA C22.2 No. 18  
NEMA FB1  
NFPA 70  
Federal Specification replaced by A-A-50553  
Federal Standard H-28 (Threads)

#### Case Hardened Locknuts

Case hardened locknuts make fittings faster and easier to install. Case hardened locknuts do not slip or turn, thereby protecting the biting edge. Case hardened locknuts bite through paint into the enclosure, providing excellent continuity of ground (typical T&B/Thomas & Betts fitting with case hardened locknuts successfully passed minimum fault current of 10,000 amps RMS). Case hardened locknuts, when assembled in the intended manner, will not vibrate loose, thereby ensuring excellent ground continuity.

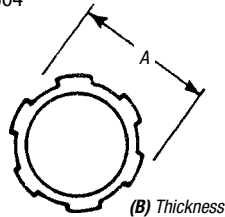


## Bushings, Nipples, Locknuts and Plugs

Available in your choice of steel/malleable iron, aluminum or stainless steel.

### Locknuts

- Steel from ¼" to 2", malleable iron from 2½" to 6"
- Aluminum 3003 from ½" to 6" or Type 304 stainless steel from ½" to 2"



CAT. NO.			DIMENSIONS (IN.)		
STL./M.I.	ALUM.	ST. STL.	SIZE (IN.)	A	B
139*	—	—	¼	¾	9/64
140*	—	—	⅜	15/16	9/64
141**	141AL	141-SST	½	1 1/64	5/32
142**	142AL	142-SST	¾	1 3/8	3/16
143	143AL	143-SST	1	1 11/16	13/64
144	144AL	144-SST	1 ¼	2 5/32	13/64
145	145AL	145-SST	1 ½	2 ½	13/64
146	146AL	146-SST	2	3	7/32
147	147AL	—	2 ½	3 9/16	13/32
148	148AL	—	3	4 3/16	13/32
149	149AL	—	3 ½	4 13/16	15/32
150	150AL	—	4	5 5/16	15/32
151	151AL	—	4 ½	5 15/16	17/32
152	152AL	—	5	6 ½	17/32
153	153AL	—	6	7 ¾	19/32

\*Hex shape

\*\*Case hardened locknuts

Aluminum locknuts comply with federal standard of copper-free aluminum; less than .5% copper.

Available with DURA-PLATE® Finish.

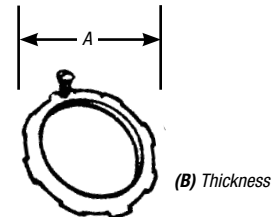
UL File E-23018

CSA File No. 2884

Ensures positive bonding of conduit to box and prevents loosening due to vibration!

### Bonding Locknuts

- Steel or malleable iron (steel through 2")
- Can be used anywhere an ordinary locknut is installed
- Also can be used for Service Entrance applications in conformance with code
- T&B rigid conduit and EMT (thinwall) fittings comply with Federal Specification A-A-50553



CAT. NO.	SIZE (IN.)	DIMENSIONS (IN.)	
		A	B
106†	½	1 1/8	.125
107†	¾	1 5/8	.140
108	1	1 15/16	.170
109	1 ¼	2 3/32	.170
110	1 ½	2 ½	.170
111	2	3	.187
112†	2 ½	3 3/32	.375
113†	3	4 3/16	.375
114†	3 ½	4 29/32	.438
115†	4	5 5/32	.438

† Not CSA certified.

Available with DURA-PLATE® Finish.

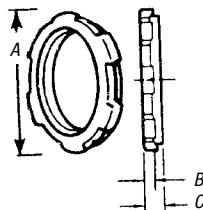
UL File No. E-3060

CSA File No. 638

Provides positive seal against water and oil.

### Sealing Locknuts

- For use with rigid and intermediate metal conduits or fittings
- Provides watertight or raintight seal at all enclosures



Molded Santoprene Seal  
Color: Blue



CAT. NO.	SIZE (IN.)	DIMENSIONS (IN.)		
		A	B	C
141SL	½	1.140	1/8	1/4
142SL	¾	1.420	5/32	5/32
143SL	1	1.770	11/64	9/32
144SL	1 ¼	2.281	11/64	5/16
145SL	1 ½	2.598	11/64	9/32
146SL	2	3.175	3/16	7/64

UL File No. E-23018

CSA File No. 2884

## Bushings, Nipples, Locknuts and Plugs

Perfect for grounding old work or new!

### Bonding & Grounding Wedges

- Provides grounding without a jumper except in concentric knockouts
- When jumper is required, it fits under set screw in grounding wedge
- Update existing installations to meet code requirements for bonding (NEC® Article 250, Part V) without disconnecting wiring
- For use on new wiring, just loosen bushing, position wedge and tighten bushing and bonding screw

#### Application

- To effectively bond terminating fitting or conduit to a box or enclosure

#### Features

- Sizes ¼" thru 6" equipped with an additional bonding screw to install bonding jumper where required
- Can be added to an existing installation without disconnecting conductors

#### Standard Material/Finish

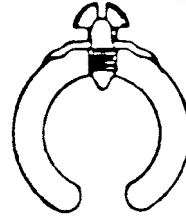
½" size Steel/Electro Zinc Plated  
¾" thru 6" size Bronze/Tin Plated

#### Listings/Compliances

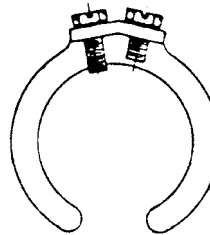
UL File #E3060  
CSA File #638  
UL 467  
CSA C22.2 No. 41  
NFPA-70  
Federal Specification A-A-50552

#### Range

½" thru 6" conduit



Series 3650



Series 3651

#### Grounding Wedges



CAT. NO.	SIZE
3650	½"
3651	¾"
3652	1"
3653	1¼"
3654	1½"
3655	2"
3656	2½"
3657	3"
3658	3½"
3659	4"
3661	5"
3662	6"

UL File No. E-3060

Sealing material resists oil, coolants and hydraulic fluids as well as water!

### Liquidtight Sealing Gasket

The 5262 Series Sealing Gasket includes a stainless steel retaining ring to prevent elongation of the Santoprene® gasket, ensuring a superior seal.

#### Application

- When used with an externally threaded connector, provides a tight seal against oil, fumes or moisture at the knockout opening

#### Features

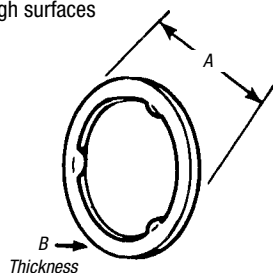
- Design locks resilient sealing material in steel
- Steel retainer protects seal from extruding out under torque and limits compression to an optimum predetermined value; provides high quality seal
- Resilient material flows and seals rough surfaces
- NEMA 3R, 4, 6 and 13

#### Standard Material

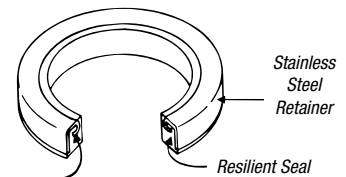
Retainer: 316 Stainless Steel  
Sealing Material: Santoprene® Thermoplastic Rubber

#### Range

¼" thru 4" Hub Size



5262 Series Sealing Gasket



Resilient Sealing Material Locked in Steel Retainer



CAT. NO.	CONDUIT SIZE	DIMENSIONS (IN.)		STD. PKG. QTY.
		A	B	
5262	½"	1.16	.18	50
5263	¾"	1.49	.19	25
5264	1"	1.75	.19	25
5265	1¼"	2.15	.22	5
5266	1½"	2.42	.23	5
5267	2"	2.92	.23	5
5268	2½"	3.44	.23	5
5269	3"	4.08	.23	5
5270	4"	5.29	.31	5

UL File No. E 13938 CSA File No. 2884

Santoprene is a registered trademark of Advanced Elastomer Systems.

## Bushings, Nipples, Locknuts and Plugs

### Threaded Insulated Grounding Bushing

#### Application

- For quick installation of bonding jumper to multiple metal conduits (Rigid and IMC)
- Designed to bush conductors and prevent insulation damage

#### Features

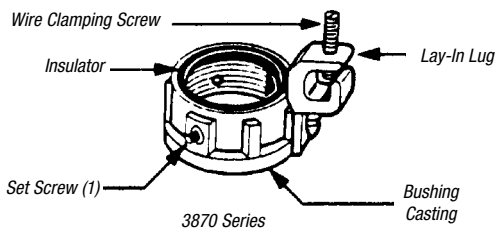
- Ease of installation, lay in lug design
- Cast malleable iron body designed to lock insulator in place within body, reducing common assembly problem resulting in dislodging of insulator
- Insulator rated for 150° C/302° F application
- Look for the unique T&B blue color, ensuring the highest quality fitting

#### Standard Material/Finish

Body: Electro zinc plated

Lay-In Lug: Aluminum/tin plated

Insulator: Thermoplastic 150° C/302° F  
Application with 94V-0 flammability



CAT. NO.	CONDUIT SIZE	BUSHING DIA.	THROAT DIA.	LUG LENGTH	SWING RADIUS	BUSHING HEIGHT	WIRE RANGE AWG CU/AL
3870-TB	½"	1.125	.560	1.310	1.212	.657	#14-#4
3861	½"	1.125	.560	1.675	1.402	.657	#8-2/0
3871-TB	¾"	1.420	.742	1.310	1.360	.660	#14-#4
3862	¾"	1.420	.742	1.675	1.550	.660	#8-2/0
3872	1"	1.770	.944	1.310	1.535	.735	#14-#4
3882	1"	1.770	.944	1.675	1.725	.735	#8-2/0
3873	1¼"	2.190	1.242	1.310	1.745	.735	#14-#4
3883	1¼"	2.190	1.242	1.675	1.935	.735	#8-2/0
3874	1½"	2.468	1.449	1.310	1.884	.770	#14-#4
3884	1½"	2.468	1.449	1.675	2.074	.770	#8-2/0
3875	2"	3.031	1.860	1.310	2.165	.770	#14-#4
3889	2"	3.031	1.860	1.675	2.355	.770	#8-2/0
3876	2½"	3.516	2.222	1.310	2.408	.940	#14-#4
3886	2½"	3.516	2.222	1.675	2.598	.940	#8-2/0
3993	2½"	3.516	2.222	2.230	2.928	.940	#6-4/0
3877	3"	4.234	2.761	1.310	2.767	.975	#14-#4
3887	3"	4.234	2.761	1.675	2.957	.975	#8-2/0
3994	3"	4.234	2.761	2.230	3.287	.975	#6-4/0
3878	3½"	4.781	3.193	1.310	3.040	.975	#14-#4
3863	3½"	4.781	3.193	1.675	3.230	.975	#8-2/0
3995	3½"	4.781	3.193	2.230	3.560	.975	#6-4/0
3879	4"	5.328	3.623	1.310	3.314	.980	#14-#4
3864	4"	5.328	3.623	1.675	3.504	.980	#8-2/0
3996	4"	5.328	3.623	2.230	3.834	.980	#6-4/0
3880	5"	6.328	4.542	1.310	3.814	.985	#14-#4
3865	5"	6.328	4.542	1.675	4.000	.985	#8-2/0
3998	5"	6.328	4.542	2.230	4.334	.985	#6-4/0
3881	6"	7.406	5.458	1.310	4.353	1.200	#14-#4
3866	6"	7.406	5.458	1.675	4.543	1.200	#8-2/0
3999	6"	7.406	5.458	2.230	4.875	1.200	#6-4/0

Temperature rating 150° C  
Meets Coast Guard Regulation CG293  
Available with DURA-PLATE® Finish.

## Bushings, Nipples, Locknuts and Plugs

Innovative design makes installation quicker, easier.

### Blackjack® Grounding Bushing

The Blackjack® Grounding Bushing never has to be threaded onto a conduit. It is simply placed in position on either a threaded or non-threaded rigid or IMC conduit, with the grounding lug in perfect position to accept the grounding wire — even in tight installations.

*It's as simple as one, two, three!*

Compare the installation with conventional bushings that must be threaded onto the conduit. In tight areas, you may have to remove the grounding lug, keep up with the loose parts and then reattach the lug. Then you still have to twist and turn the bushing to get the lug in position to accept the grounding wire.

The Blackjack bushing does away with these needless delays for good, making it the ideal grounding bushing — and the only logical choice for small spaces, corners and multiple conduit runs. And, because the grounding lug is an integral part of the bushing, it's designed not to fall off or get lost.

### Innovative design improves performance.

#### The Blackjack® bushing provides superior ground continuity.

The design of the Blackjack bushing has an integral, cast-on grounding lug for better ground continuity. This means that the Blackjack bushing stands up to intense loads.

#### Secure grip forms lasting bond.

The Blackjack bushing's cone-point mounting screw bites securely into both threaded and non-threaded rigid conduits. And the Blackjack bushing's nylon locking patch is designed to prevent the screw from loosening due to vibration.

#### Reduce inventory.

Because the Blackjack Grounding Bushing is designed for threaded and non-threaded conduits, and the ground lugs are designed to handle an extended range, the number of parts in inventory is reduced by up to two-thirds without losing any application coverage.

#### Lug Screw:

- #14–#4: Slotted
- #14–2/0: Slotted
- #6–4/0: Internal Hex Drive

#### Standard Material/Finish

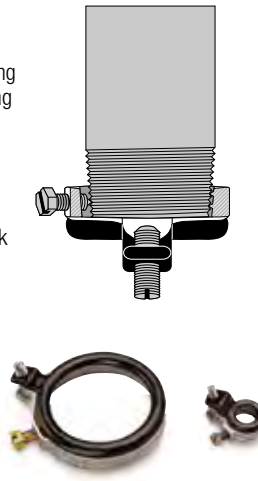
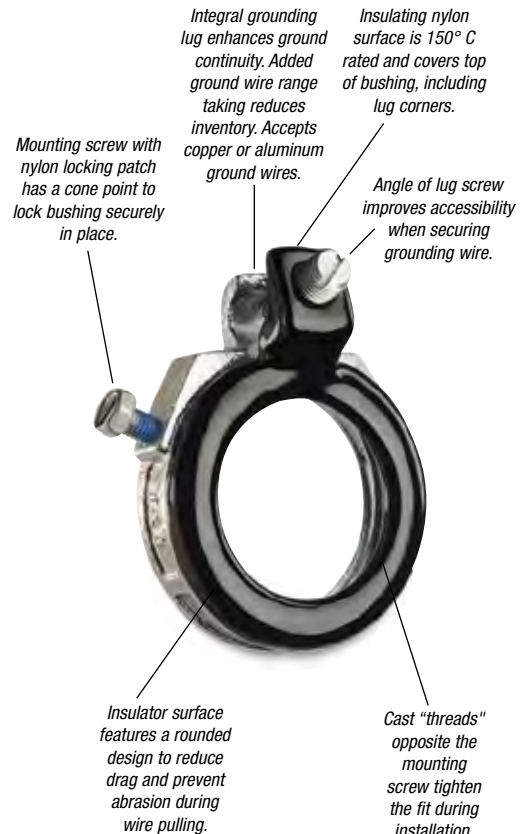
- Body: Malleable Iron or Aluminum
- Mounting Screw: (1/2"–2") Stainless Steel, (2 1/2"–6") Brass
- Lug Screw: Stainless Steel
- Finish: Zinc Plated

#### Range

- Conduit: 1/2" thru 6" threaded or threadless rigid/IMC
- Wire Range: #14 AWG to 4/0 AWG Cu/Al

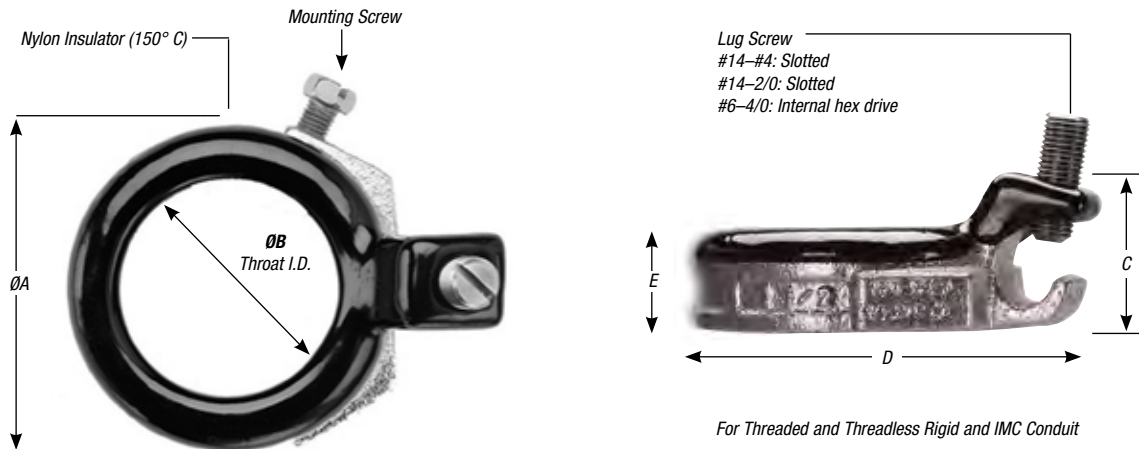
#### Listings/Compliances

- UL File #E3060
- CSA File #LR2884
- UL 514B & UL 467
- CSA C22.2 No. 18 & CSA C22.2 No. 41





## Bushings, Nipples, Locknuts and Plugs



### Blackjack® Grounding Bushings

CAT. NO.		CONDUIT SIZE	ØA MAX.	ØB MIN. THROAT I.D.	C MAX.	D MAX.	E MAX.	WIRE RANGE
ZINC PLATED MALLEABLE IRON	ALUMINUM							
BG050-14-20	BGA050-14-20	½"	1.251	.569	1.181	2.134	.696	#14-2/0
BG050-14-4	BGA050-14-4	½"	1.251	.569	1.027	1.940	.696	#14-#4
BG075-14-20	BGA075-14-20	¾"	1.533	.772	1.221	2.414	.696	#14-2/0
BG075-14-4	BGA075-14-4	¾"	1.533	.772	1.030	2.168	.696	#14-#4
BG100-14-20	BGA100-14-20	1"	1.783	.993	1.181	2.581	.696	#14-2/0
BG100-14-4	BGA100-14-4	1"	1.783	.993	1.027	2.368	.696	#14-#4
BG125-14-20	BGA125-14-20	1¼"	2.220	1.319	1.181	2.987	.759	#14-2/0
BG150-14-20	BGA150-14-20	1½"	2.470	1.553	1.181	3.236	.696	#14-2/0
BG200-14-20	BGA200-14-20	2"	2.830	2.010	1.181	3.766	.696	#14-2/0
BG250-14-20	BGA250-14-20	2½"	3.418	2.412	1.181	4.341	.978	#14-2/0
BG250-6-40	BGA250-6-40	2½"	3.418	2.412	1.524	4.526	.978	#6-4/0
BG300-14-20	BGA300-14-20	3"	4.042	3.022	1.181	4.966	.978	#14-2/0
BG300-6-40	BGA300-6-40	3"	4.042	3.022	1.524	5.139	.978	#6-4/0
BG350-14-20	BGA350-14-20	3½"	4.542	3.491	1.181	5.467	.978	#14-2/0
BG350-6-40	BGA350-6-40	3½"	4.542	3.491	1.524	5.639	.978	#6-4/0
BG400-14-20	BGA400-14-20	4"	5.042	3.975	1.181	5.966	.978	#14-2/0
BG400-6-40	BGA400-6-40	4"	5.042	3.975	1.524	6.139	.978	#6-4/0
BG500-14-20	BGA500-14-20	5"	6.136	4.991	1.181	7.045	.978	#14-2/0
BG500-6-40	BGA500-6-40	5"	6.136	4.991	1.524	7.207	.978	#6-4/0
BG600-14-20	BGA600-14-20	6"	7.199	6.009	1.181	8.087	.978	#14-2/0
BG600-6-40	BGA600-6-40	6"	7.199	6.009	1.524	8.409	.978	#6-4/0

Suggested Specifications: Insulated grounding and bonding bushing (Series BG050-BG600)

Where code requires bonding and grounding of single or multiple metal conduits, or positive bonding and grounding of metal conduit to the box, enclosure or auxiliary gutter, the end of the conduit shall be equipped with an insulated metallic grounding and bonding bushing series BG050-14-20 as manufactured by Thomas & Betts.

Grounding and bonding bushings used shall be approved for the purpose and  
(i) Shall be of malleable iron/steel/aluminum construction adequately protected against corrosion.

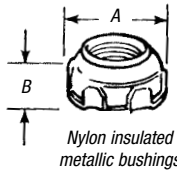
(ii) Bushing insulator shall be listed or certified for 150° C/302° F application with a flammability rating of 94V-0. Insulator must be positively locked in place.

## Bushings, Nipples, Locknuts and Plugs

Meets and surpasses NEC® requirements!

### Insulated Throat Fittings

- Steel or malleable iron (steel through 1½")
- Exceeds NEC 373-6C requirements for protection of ungrounded connectors at entrance to raceways, pull boxes and junctions
- Recognizable by distinctive trademarked blue insulating liner in throat
- Reduces wire pulling effort by as much as 50%
- Temperature rating of 105° C
- Look for the unique T&B blue color, ensuring the highest quality fitting



CAT. NO.		DIMENSIONS (IN.)		
STL. OR M.I.	ALUM.	SIZE	A	B
1222	1222AL	½"	1⅜"	29/64
1223	1223AL	¾"	1⅝"	31/64
1224	1224AL	1"	1⅞"	11/32
1225	1225AL	1¼"	1⅞"	21/32
1226	1226AL	1½"	2⅜"	23/32
1227	1227AL	2"	2⅞"	7/8
1228	1228AL	2½"	3⅞"	1/2
1229	1229AL	3"	3⅞"	5/16
1230	1230AL	3½"	4⅞"	1/16
1231	1231AL	4"	4⅞"	13/32
1232†	1232AL†	4½"	—	—
586	586AL	5"	5⅜"	19/32
587	587AL	6"	7⅞"	1⅞"

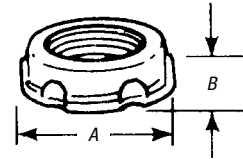
† Not CSA Certified

Catalog series 1222 thru 1232, 586 and 587 are available in aluminum. Add suffix AL to Cat. No. The aluminum series fittings are not CSA certified.

Locknut-type base improves bonding and resists loosening under vibration.

### Metallic Bushings

- Aluminum, steel or malleable iron (steel through 1½")
- Smoothly rounded shoulder covers end of conduit
- Broad flange covers knockout hole
- High ribs for easy tightening with fingers or with wrench
- ½" to 1½" sizes, formed in steel, feature extra-smooth shoulders



CAT. NO.		DIMENSIONS (IN.)		
STL. OR M.I.	ALUM.	SIZE	A	B
122	122AL	½"	1⅜"	13/32
123	123AL*	¾"	1¼"	7/16
124	124AL**	1"	1⅞"	1/2
125-TB	125AL	1¼"	1⅞"	9/16
126	126AL	1½"	2⅜"	19/32
127	127AL	2"	2⅞"	5/8
128	128AL	2½"	3⅞"	3/4
129	129AL	3"	3⅞"	13/16
130-TB	130AL	3½"	4⅞"	15/16
131-TB	131AL	4"	4⅞"	1
132-TB	—	4½"	5⅞"	1⅝"
133-TB	133AL	5"	6	1⅞"
134-TB	134AL	6"	7¼"	1¼"

\* Not UL Listed or CSA Certified

UL File No. E-23018

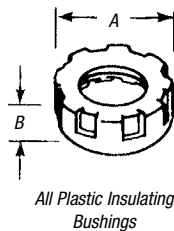
\*\* Not CSA Certified

CSA File No. 2884

Available with DURA-PLATE® Finish.

Perfect threads for easy thread-on!

### Plastic Insulating Bushings



- Impact-resistant plastic insulation
- Ribbed for easy, secure gripping
- UL Listed 105° C



CAT. NO.	SIZE	DIMENSIONS (IN.)	
		A	B
222-TB	½"	1⅞"	3/8
223-TB	¾"	1⅞"	13/32
224	1"	1⅞"	9/16
225-TB	1¼"	1⅞"	9/16
226	1½"	2⅜"	9/16
227	2"	2⅞"	5/8
228-TB	2½"	3⅞"	3/4
229-TB	3"	4⅞"	3/4
230-TB	3½"	4⅞"	7/8
231	4"	5⅞"	7/8
232	4½"	5⅞"	1
233	5"	6⅞"	1
234	6"	7⅞"	1

UL Rated flame retardant 94V-1

## Bushings, Nipples, Locknuts and Plugs

For threadless rigid conduit and intermediate metal conduit.

### Insulating Bushing

#### Application

- When assembled to the end of a threadless conduit, provides a well-rounded insulating surface over which conductors may be pulled or on which conductors may bear while in service

#### Features

- Designed to be popped onto conduit end
- Fast, easy installation without screws
- High-impact thermoplastic construction

#### Standard Material

High-impact thermoplastic listed for 105° C (221° F) application  
Flammability Classification 94 V-1

#### Standard Finish

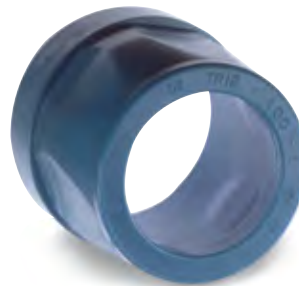
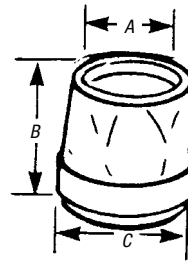
As molded

#### Range

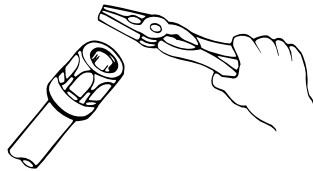
½" through 4" conduit

#### Listings/Compliances

UL (UL File No. E-13938)  
CSA (LR-2884, LR-4484)  
UL 514B  
NFPA 70



1. Cut conduit end squarely. Remove sharp edges and burrs on inside and outside diameters by reaming or filing.
2. Slip the pop-on bushing over the end of the conduit.
3. Using the flat surface of any standard utility tool such as an electrician's pliers (or a hammer with a block of wood for the larger sizes), strike the bushing on its top surface using a series of light blows until the end of the conduit rests against the bushing throat and conduit stop.



CAT. NO.	SIZE	DIMENSIONS (IN.)		
		A	B	C
TRIB-50	½"	19/32	1 1/32	1 1/16
TRIB-75	¾"	25/32	1 25/64	1 ¼
TRIB-100	1"	1	1 ½	1 9/16
TRIB-125	1 ¼"	1 1/16	1 5/8	1 59/64
TRIB-150	1 ½"	1 17/32	1 21/32	2 1/64
TRIB-200	2"	1 31/32	1 13/16	2 1/16
TRIB-250	2 ½"	2 23/64	2	3 ¼
TRIB-300	3"	2 59/64	2 1/32	3 29/32
TRIB-350	3 ½"	3 3/8	2 5/16	4 29/64
TRIB-400	4"	3 27/32	2 13/32	5

I.M.C. sizes ½" thru 4"

UL Rated flame retardant 94V-1

UL File No. E-13938

CSA File No. 2884

## Bushings, Nipples, Locknuts and Plugs

**Provides smooth, rounded insulation surface for easy wire pulling!**

### Knockout Bushings

- Quickly snaps into outlet box, switch box or other enclosure left vacant by wiring modifications or maintenance changes
- High-impact polycarbonate, one-piece construction
- Easily installed by hand
- UL Listed 105° C

#### Application

- To provide smooth, rounded knockout openings in metal boxes or enclosures

#### Features

- One-piece construction designed to snap in place
- High-impact strength, self extinguishing, non-dripping (per UL 94) polycarbonate construction

#### Standard Material

Polycarbonate rated for 105° C (221° F) application

#### Standard Finish

As molded

#### Range

.875" through 2.469" nominal diameter knockout opening (½" through 2" trade size knockouts)

Wall thickness of box or enclosure

.095" max. up to 1" trade size

.140" max. 1¼" through 2" trade size

#### Listings/Compliances

UL (UL File No. E-3803)

CSA (LR-589,LR-4484)

UL 514B

CSA C22.2 No. 18

NFPA 70-1999 (ANSI)



3210 Series



CAT. NO.	FOR USE IN KO SIZE*	DIMENSION (IN.)	
		B	
3210	.875	.360	
3211	1.109	.360	
3212	1.375	.360	
3213	1.734	.400	
3214	1.984	.520	
3215	2.469	.520	

\* Per UL and NEMA standards. Refer to Knockout Plugs table on next page.

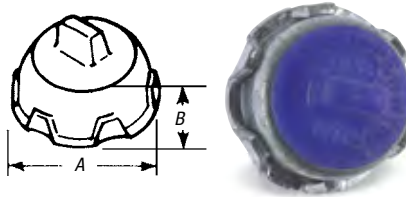
Oxygen index >28° UL 94V-1

UL File No. E-3803 CSA File No. 589

**Makes a workman-like seal against grit, plaster and mischief!**

### Capped Bushings

- Removable with pliers
- ½" through 1¼" sizes in steel
- 1½" and 2" sizes in malleable iron



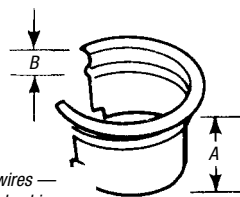
CAT. NO.	SIZE	DIMENSIONS (IN.)	
		A	B
1460	½"	1½/32	13/32
1461	¾"	1¼	7/16
1462	1"	1½/16	½
1463	1¼"	1²³/32	9/16
1464	1½"	2²/32	19/32
1465	2"	2²/32	¾

UL File No. E-23018 CSA File No. 2884

**Snaps into a regular bushing to make a UL Listed insulated bushing!**

### INSULINER® Sleeves

- Converts ordinary bushing to code-approved insulated bushing without disturbing wiring
- For use with standard rigid conduit, EMT (thinwall conduit) or any standard bushed outlet
- Especially suited for use with flexible metallic conduit
- High-dielectric nylon material, rated 105° C



Slip over wires —  
insert into bushing —  
snaps into place



CAT. NO.	SIZE	DIMENSIONS (IN.)	
		A	B
422	½"	5/8	.025
423	¾"	1½/16	.025
424	1"	7/8	.025
425	1¼"	1	.030
426	1½"	1	.030
427	2"	1½	.030
428	2½"	1¼	.040
429	3"	1½	.040
430	3½"	1²³/32	.055
431	4"	2½/32	.055
433	5"	2½	.070
434	6"	2½	.070

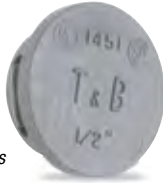
Oxygen index >28° UL File No. E-23018 CSA File No. 589



## Bushings, Nipples, Locknuts and Plugs

Made from flame-retardant, non-dripping thermoplastic, UL rated 105° C!

### Knockout Plugs



1451 Series

#### Application

- To plug unused knockout openings in a box or enclosure

#### Features

- One-piece construction designed to snap in place
- High impact strength self-extinguishing non-dripping (per UL 94) thermoplastic construction

#### Standard Material

Thermoplastic rated for 105° C (221° F) application

#### Standard Finish

As molded

#### Range

.875" through 2.469"  
Nominal Diameter

Knockout opening (½" through 2" trade size knockouts)

Wall thickness of box or enclosure

.095" max. up to 1" trade size

.140" max. through 2" trade size

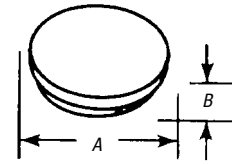
#### Listings/Compliances

UL (UL File No. E13938)

CSA (LR589)

UL 514B

NFPA 70



105° C rated by UL. Made from flame retardant, non-dripping thermoplastic.



CAT. NO.	SIZE	DIMENSION (IN.)	
		A	B
1451	½"	1.060	.400
1452	¾"	1.300	.400
1453	1"	1.590	.400
1454	1¼"	1.860	.450
1455	1½"	2.240	.570
1456	2"	2.740	.570

Wall thickness of electrical box .095 max.  
Meets Coast Guard Regulation CB293.  
UL File No. E-13938 CSA File No. 4484

Eliminates need for separate capped bushing or steel penny and bushing!

### Push-Penny® Plugs

#### Application

- To plug open end of conduit or connector in order to prevent ingress of trash, dirt or moisture during construction and remodeling

#### Features

- Wide range of applications; can be used with rigid metal conduit, intermediate metal conduit, electrical metallic tubing, all connectors and all bushings
- Designed to stand up to normal handling and is functionally unaffected by moisture
- Economically seal out grout and plaster from any fitting or raceway conforming to CSA dimensional tolerances
- Just push into place
- Pressure holds plug fast against internal surface of fitting or raceway
- Made of flexible plastic

#### Standard Material

Polyethylene

#### Standard Finish

As molded

#### Listings/Compliances

CSA (LR2884, LR4484)

UL 514B

CSA C22.2 No. 18

NFPA 70

NEMA FB1



CAT. NO.	SIZE
1470	½"
1471	¾"
1472	1"
1473	1¼"
1474	1½"
1475	2"
1476*	2½"
1477*	3"
1478*	3½"
1479*	4"

\*Not CSA Certified.  
CSA File No. 2884  
UL not applicable.

Made to fit any bushing!

### Steel Pennies

- Used under a bushing to seal end of conduit during construction
- Completely salvageable



CAT. NO.	SIZE
815-TB	½"
816	¾"
817	1"
818	1¼"
819	1½"
820	2"

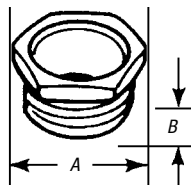
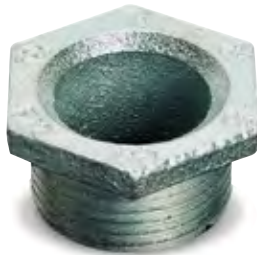
CAT. NO.	SIZE
821	2½"
822	3"
824	3½"
823	4"

UL not applicable.  
CSA File No. 2884

## Bushings, Nipples, Locknuts and Plugs

### Bush holes in metal boxes or enclosures!

#### CHASE® Nipples



- 3/8" and 1/2" sizes in steel
- 3/4" to 6" sizes in malleable iron
- 1/2" to 4" sizes in copper-free aluminum

CAT. NO.			DIMENSIONS (IN.)	
STL. OR M.I.	ALUM.	SIZE	A	B
841TB	—	3/8"	15/16	7/16
842TB	842ALTB†	1/2"	1 1/16	43/64
843TB	843ALTB	3/4"	1 3/8	19/32
844	844AL†	1"	1 11/16	3/4
845	845AL†	1 1/4"	2 1/32	25/32
846	846AL	1 1/2"	2 3/8	13/16
847	847AL	2"	2 15/16	31/32
848	848AL	2 1/2"	3 3/16	1 1/16
849	849AL	3"	4 3/8	1 1/4
850	850AL	3 1/2"	5 1/8	1 1/8
851	851AL	4"	5 1/8	1 1/8
853	—	5"	6 1/2	1 1/8
854	—	6"	7 5/8	1 3/8

† Not UL Listed

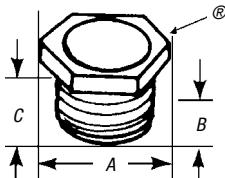
Available with DURA-PLATE® Finish.

UL File No. E-23018

CSA File No. 2884

## Nylon insulator offers extra protection!

#### CHASE® Nipples — Nylon-Insulated



- 3/8" and 1/2" sizes in steel
- 3/4" to 6" sizes in malleable iron
- 1/2" to 6" sizes in copper-free aluminum
- Look for the unique T&B blue color ensuring the highest quality fitting available

CAT. NO.	SIZE	DIMENSIONS (IN.)		
		A	B	C
1942	1/2"	1 1/64	7/16	19/32
1943	3/4"	1 3/8	17/32	23/32
1944	1"	1 11/16	21/32	7/8
1945	1 1/4"	2 1/32	25/32	1 1/32
1946	1 1/2"	2 3/8	13/16	1 3/32
1947	2"	2 15/16	31/32	1 11/32
1948	2 1/2"	3 3/16	1 1/16	1 7/16
1949	3"	4 3/8	1 3/16	1 19/32
1950	3 1/2"	5 1/8	1 1/8	1 25/32
1951	4"	5 1/8	1 1/8	1 13/16
1953	5"	6 3/8	1 1/8	1 13/16
1954	6"	7 5/8	1 3/8	1 7/8

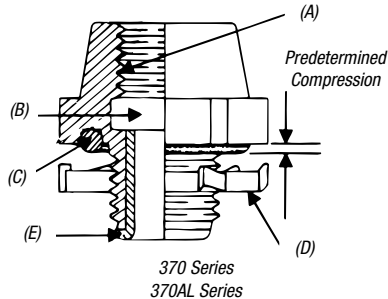
UL File No. E-23018

CSA File No. 2884

## Hubs and Bulkhead Fittings

For threaded rigid metal conduit/IMC/PVC-coated rigid metal conduit.

### Threaded Hubs (Bullet® Hubs)



#### Application

- To connect threaded metal conduit (ferrous rigid/non-ferrous rigid/PVC coated/or intermediate metal) to a threadless opening in a box or enclosure in outdoors or indoor location exposed to continuous or intermittent moisture
- To positively bond conduit to box or enclosure

#### Features

- Rugged steel/malleable iron/copper-free aluminum construction
- Tapered internal threads for water-tight/dust-tight union (A)
- Threads relieved to prevent bottoming of conduit, ensuring sound assembly (B)
- Recessed sealing ring at box end; sealing ring captivated (C)
- Hardened steel/malleable iron/copper-free aluminum locknuts designed to provide high-quality ground continuity; extended reach of locknut permits clamping on thin boxes and enclosures (D)
- Insulated throat, insulates conductors, prevents abrasion and thinning of conductor insulation, reduces wire pull effort (E)
- Suitable for hazardous location use per following:
  - Class I Division 2, Class II Division 1 & 2, Class III Division 1 & 2 per NEC® 501.10(B), 502.40(A) and (B) and 503.16(A) and (B)
  - Class II locations & Class III locations per CEC 18-202; 18-252; 18-302; 18-352

National Electrical Code® states that, "Where practical, dissimilar metals in contact anywhere in the system shall be avoided to eliminate the possibility of galvanic action." The only exceptions, aluminum fittings and enclosures, are permitted to be used with steel conduit.

Joint Industrial Council (JIC) Electrical Standards also forbid dissimilar metals in contact for the same reason and require that the fittings for metal conduit be of malleable iron or ductile iron and have impact strength comparable to that of the conduit.

#### Copper-Free Aluminum

Copper free aluminum castings for fittings have a maximum of .4% copper. The most detrimental effect of higher percentage of copper on aluminum base alloy is its decrease in corrosion resistance.

#### Standard Material

	370-401 Series	370AL
Body:	½" thru 1" Steel 1¼" thru 6" Malleable Iron	All Copper-Free Aluminum
Locknut:	½" thru 2" Steel (hardened) 2½" thru 6" Malleable Iron Aluminum	½" thru 2" Steel (hardened) 2½" thru 4" Copper-Free
Screws:	Steel (hardened)	
O-Ring:	Buna N	
Insulator:	Nylon	
Coating:	PVC	

#### Standard Finish

	370-401 Series	370AL
Hub:	Electro Zinc Plated Chromate Coated	As Cast
Locknuts:	All Ferrous Locknuts Electro Zinc Plated and Chromate Coated	
Screws:	All Electro Zinc Plated and Chromate Coated	

#### Range

- 370 Series: ½" thru 6" Conduit  
 370AL & 401 Series:  
 ½" thru 4" Conduit  
 All hub threads — straight pipe  
 All female threads — taper pipe (NPT)

#### Listing/Compliances

- UL (UL File No: E-23018)
- CSA (LR-637, LR-23086)
- UL 514B
- CSA C22.2 No. 18
- NFPA 70
- NEMA FB-1
- JIC EGP1; JIC EMP 1
- Federal Specification A-A-50553
- Federal Standard H-28 (Threads)

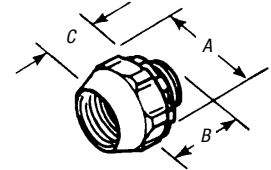
NEC and National Electrical Code are registered trademarks of the National Fire Protection Association, Inc.

## Hubs and Bulkhead Fittings

UL Listed rain tight and CSA Certified watertight and dust tight.

### Steel/Malleable Iron and Aluminum Bullet® Hub Connectors\*†

- Available in steel/malleable iron (steel through 1") with nylon-insulated throat — with or without Series 106 bonding locknut
- Also available in aluminum without insulated throat
- When used with neoprene O-ring, provides watertight threaded hub on enclosures
- UL Listed 105° C
- Look for the unique T&B blue color ensuring the highest quality fitting



CAT. NO.			HUB SIZE (IN.)	DIMENSIONS (IN.)			MAX. WALL THICKNESS (IN.)
STEEL/M.I.	ALUM.**	STEEL/M.I. W/LOCKNUT		A	B	C	
370	370AL	401	1/2"	1 3/8	1 1/4	3/4	5/16
371	371AL	402	3/4	1 3/8	1 1/4	3/4	5/16
372	372AL	403	1"	2 3/32	1 3/8	7/8	5/16
373	373AL	404-TB	1 1/8"	2 9/16	1 3/8	1	5/16
374	374AL	405	1 1/2"	3 3/32	1 5/8	1	5/16
375	375AL	406-TB	2"	3 5/8	1 5/8	1	5/16
376	—	407	2 1/2"	4 1/8	1 7/8	1 1/8	3/8
377	—	408	3"	5	2 1/2	1 1/2	1/2
378	—	409	3 1/2"	5 9/16	2 1/2	1 1/2	1/2
379	—	410-TB	4"	6 3/16	2 1/2	1 1/2	1/2
381	—	—	5"	8	3 3/8	—	1/2
382	—	—	6"	9 3/16	3 3/8	—	1/2

\* Suitable for hazardous locations use in Class I, Div. 2; Class II, Div. 2; Class III, Div. 1 and 2 where general purpose equipment is specifically permitted per NEC Section 500-2(a).

Available with DURA-PLATE® finish.

UL File No. E-23018

\*\* Aluminum not available with insulated throat.

For Stl.: CSA File No. 2284

† UL Listed rain tight and CSA Certified watertight and dust tight

For AL.: CSA File No. 0637

### Spacing Chart for Bullet® Hubs

	CENTER-TO-CENTER SPACING CONDUIT SIZES												MIN. SPACE FROM CENTER OF BULLET® HUB TO WALL OF BOX	KO DIAMETERS (MIN.)
	1/2	3/4	1	1 1/4	1 1/2	2	2 1/2	3	3 1/2	4	5	6		
1/2	1 1/16	1 1/8	1 1/4	2 1/8	2 3/8	2 7/8	2 7/8	3 3/16	3 1/2	3 3/8	4 7/8	5 1/16	3/4	7/8
3/4	—	1 1/4	1 7/8	2 1/4	2 1/2	2 3/4	3	3 1/2	3 3/4	4 1/8	4 13/16	5 1/2	7/8	1 1/8
1	—	—	2	2 3/8	2 5/8	2 7/8	3 1/8	3 3/8	3 3/8	4 1/4	4 15/16	5 11/16	1 1/8	1 3/8
1 1/4	—	—	—	2 11/16	2 15/16	3 1/4	3 1/2	4	4 1/4	4 1/2	5 1/8	5 3/4	1 3/8	1 3/4
1 1/2	—	—	—	—	3 1/8	3 1/2	3 3/4	4 1/8	4 3/8	4 3/4	5 1/8	6 1/8	1 5/8	2
2	—	—	—	—	—	3 3/4	4	4 1/2	4 3/4	5	5 3/4	6 1/2	1 7/8	2 1/2
2 1/2	—	—	—	—	—	—	4 1/4	4 3/4	5	5 3/8	6	6 3/4	2 1/8	3
3	—	—	—	—	—	—	—	5 1/8	5 3/8	5 3/4	6 3/8	7 1/8	2 3/8	3 3/8
3 1/2	—	—	—	—	—	—	—	—	5 3/8	6	6 3/4	7 1/2	2 3/8	4 1/8
4	—	—	—	—	—	—	—	—	—	6 1/4	7 1/8	7 3/8	3 1/4	4 3/8
5	—	—	—	—	—	—	—	—	—	—	8	8 3/4	4	5 1/2
6	—	—	—	—	—	—	—	—	—	—	—	8 3/4	9 1/2	6 1/2



## Hubs and Bulkhead Fittings

### T&B® Hub



Never before has a single hub fit like this one. Designed for unequalled performance. The innovative engineering of the T&B® Hub will, quite simply, raise your performance expectations for threaded hubs. Look for the distinctive blue color to ensure the quality of a Thomas & Betts fitting.

- 1 Sealing Ring and Groove with innovative profile outperforms standard O-ring design. Sealing ring is captivated in place before installation and resists buckling or slipping during installation. The seal groove is designed for optimum compression of the sealing ring. The sealing ring is designed to provide a complete 360° seal, even when the conduit is not perpendicular with the enclosure. (See Figure 1)
- 2 Locknut Design with peripheral slots and a hexagonal/angled spline spaced every 30° enables easy application of torque with wrench or hammer and screwdriver. (See Figures 2 & 3)
- 3 Sharper and Deeper Teeth on locknut and body designed for a more penetrating bite for improved bonding to the enclosure.
- 4 Hexagonal/Splined Body Design for fast, easy installation with wrench or hammer and screwdriver.
- 5 Precision Machined Tapered Threads designed to create watertight union.
- 6 Insulated Throat molded from 105° C rated thermoplastic with a flammability rating of 94 V-0.

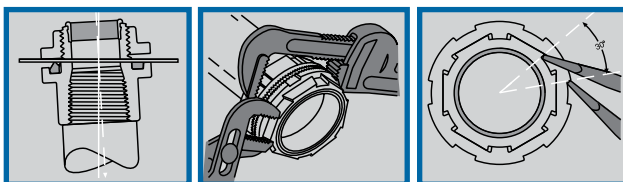


Fig. 1

Fig. 2

Fig. 3



CAT. NO.	A		B		C		D		E	
	TRADE SIZE	DIA.	TRADE SIZE	DIA.	TRADE SIZE	DIA.	MAX. PANEL THICKNESS	THROAT DIA.	TRADE SIZE	DIA.
H050-TB	1/2	1 1/16	1 1/16	7/8	3/16	19/32	3/16	19/32	1/2	1 1/16
H075-TB	3/4	1 1/16	1 19/32	29/32	3/16	25/32	3/16	25/32	3/4	1 1/16
H100-TB	1	2	1 13/16	1 1/16	1/4	1	1/4	1	1	2
H125-TB	1 1/4	2 3/8	1 7/8	1 1/16	1/4	1 1/16	1/4	1 1/16	1 1/4	2 3/8
H150-TB	1 1/2	2 3/4	1 7/8	1 1/16	1/4	1 1/16	1/4	1 1/16	1 1/2	2 3/4
H200-TB	2	3 1/4	1 15/16	1 1/2	1/4	1 1/2	1/4	1 1/2	2	3 1/4
H250-TB	2 1/2	3 3/4	2 1/16	1 1/16	1/4	2 1/16	1/4	2 1/16	2 1/2	3 3/4
H300-TB	3	4 3/8	2 1/16	1 19/32	1/4	2 1/16	1/4	2 1/16	3	4 3/8
H350-TB	3 1/2	5	2 23/32	1 1/8	1/4	2 23/32	1/4	2 23/32	3 1/2	5
H400-TB	4	5 1/2	2 23/32	1 1/8	1/4	2 23/32	1/4	2 23/32	4	5 1/2
H500-TB	5	6 1/8	3 1/2	1 15/16	1/4	3 1/2	1/4	3 1/2	5	6 1/8
H600-TB	6	7 1/16	3 3/2	2	3/16	6	3/16	6	6	7 1/16

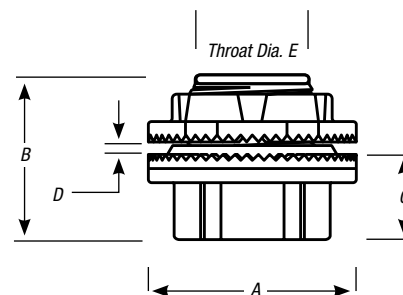
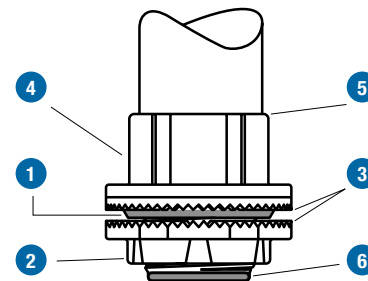
Material – Hub and Locknut: Zinc or copper-free aluminum  
 Insulating Throat: Thermoplastic temp. rating – 105° C  
 Flammability Rating – 94V-0  
 Sealing Ring: Nitrile (BUNA "N")

For Aluminum Hubs, add suffix A (i.e., H050A). For Chrome-Plated Hubs, add suffix CP (i.e., H050CP). For 316 Stainless Steel Hubs, add suffix GRSS (i.e., H050GRSS). (1/2" through 2" only.) Meets NEMA sealing requirements for NEMA 3R, 4 & 13 enclosures. CP and SST hubs are also rated NEMA 4X and 12.

UL Listed per NEC® 501.10(B). CSA Certified for hazardous locations Class II Groups E, F, G, Class III

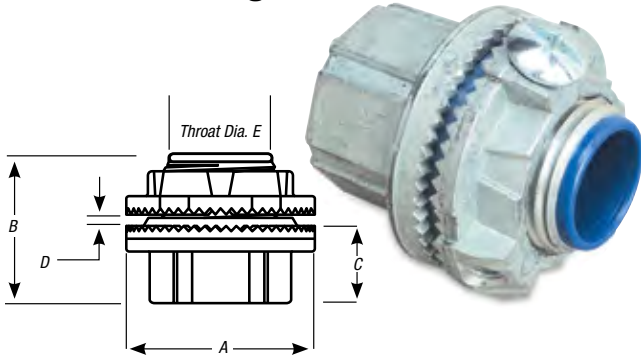
UL File No. E-23018 CSA File No. 4484

Chrome-Plated Hubs (suffix-"CP"s) are rated NEMA 4X.



## Hubs and Bulkhead Fittings

### T&B® Grounding Hub



#### T&B Hub Centerline Spacing Chart

CONDUIT TRADE SIZE	1/2"	3/4"	1"	1 1/4"	1 1/2"	2"	2 1/2"	3"	3 1/2"	4"	5"	6"
1/2"	1 1/16											
3/4"	1 43/64	1 25/32										
1"	1 27/32	1 5/16	2 1/8									
1 1/4"	2 1/32	2 5/64	2 5/16	2 1/2								
1 1/2"	2 1/32	2 23/64	2 1/2	2 11/16	2 7/8							
2"	2 15/32	2 37/64	2 3/4	2 15/16	3 1/8	3 3/8						
2 1/2"	2 23/32	2 53/64	3	3 1/16	3 3/8	3 5/8	3 7/8					
3"	3 1/32	3 3/64	3 3/8	3 1/2	3 11/16	3 15/16	4 1/16	4 1/2				
3 1/2"	3 11/32	3 23/64	3 3/4	3 15/16	4	4 1/4	4 1/2	4 5/16	5 1/8	5 1/2		
4"	3 9/32	3 43/64	3 7/8	4 1/16	4 1/4	4 1/2	4 5/8	5 1/16	5 5/8	5 7/8		
5"	4 3/32	3 25/64	4 1/16	4 1/4	4 15/16	5 1/8	5 1/16	5 5/8	6 1/16	6 3/8	7	
6"	4 11/16	4 5/64	4 31/32	5 5/32	5 11/32	5 13/32	5 27/32	6 5/32	6 15/32	6 23/32	7 13/32	7 11/16
Nearest Obstruction to Center of Hub	2 7/32	6 1/64	1 1/8	1 5/16	1 1/2	1 3/4	2	2 5/16	2 5/8	2 7/8	2 15/16	3 1/32

CAT. NO.	TRADE SIZE	MAX. PANEL THICKNESS					THROAT DIA.
		A	B	C	D	E	
H050GR-TB	1/2	1 1/16	1 1/16	7/8	3/16	1 19/32	
H075GR-TB	3/4	1 1/16	1 19/32	2 9/32	3/16	2 25/32	
H100GR-TB	1	2	1 13/16	1 1/16	1/4	1	
H125GR-TB	1 1/4	2 3/4	1 1/8	1 1/16	1/4	1 1/16	
H150GR-TB	1 1/2	2 3/4	1 1/8	1 1/16	1/4	1 11/32	
H200GR-TB	2	3 1/4	1 15/16	1 1/32	1/4	1 31/32	
H250GR-TB	2 1/2	3 3/4	2 1/16	1 1/16	1/4	2 13/32	
H300GR-TB	3	4 3/8	2 1/16	1 19/32	1/4	2 21/32	
H350GR-TB	3 1/2	5	2 23/32	1 1/8	1/4	3 13/32	
H400GR-TB	4	5 1/2	2 23/32	1 1/8	1/4	3 7/8	
H500GR-TB	5	6 7/8	3 3/32	1 15/16	1/4	4 15/16	
H600GR-TB	6	7 11/16	3 5/32	2	5/16	6	

Material – Hub and Locknut: Zinc or copper-free aluminum  
 Insulating Throat: Thermoplastic temp. rating – 105° C  
 Flammability Rating – 94V-0  
 Sealing Ring: Nitrile (BUNA "N")

For Aluminum Hubs, add suffix A (i.e., H050A). For Chrome-Plated Hubs, add suffix CP (i.e., H050CP). For 316 Stainless Steel Hubs, add suffix GRSST (i.e., H050GRSST). (1/2" through 2" only.) Meets NEMA sealing requirements for NEMA 3R, 4 & 13 enclosures.

UL Listed and CSA Certified. CSA Certified for hazardous locations Class II and Class III locations.

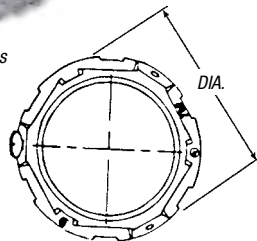
UL File No. E-23018  
 CSA File No. 4484

Chrome-Plated Hubs (suffix-"CP") are rated NEMA 4X.

### T&B® Grounding and Bonding Locknut



Grounding Locknut for Hubs



CAT. NO.	TRADE SIZE	DIA.	HEIGHT	GROUND SCREW	MAX. CONDUCTOR SIZE
L050GR-TB	1/2	1 1/2	1 3/32	#10-32 x 1/4"	#10
L075GR-TB	3/4	1 11/16	1 3/32	#10-32 x 1/4"	#10
L100GR-TB	1	2	1 3/32	#10-32 x 1/4"	#10
L125GR-TB	1 1/4	2 3/8	1 5/32	1/4-20 x 1/4"	#10
L150GR-TB	1 1/2	2 3/4	1 5/32	1/4-20 x 5/16"	#8
L200GR-TB	2	3 1/4	1 5/32	1/4-20 x 5/16"	#8
L250GR-TB	2 1/2	3 3/4	1 11/16	1/4-20 x 5/16"	#6
L300GR-TB	3	4 3/8	2 3/32	1/4-20 x 5/16"	#6
L350GR-TB	3 1/2	5	2 3/32	1/4-20 x 5/16"	#6
L400GR-TB	4	5 1/2	2 3/32	1/4-20 x 5/16"	#4
L500GR-TB	5	6 7/8	2 3/32	3/8-16 x 3/8"	#2
L600GR-TB	6	7 11/16	2 3/32	3/8-16 x 3/8"	#1

Material – Locknut: Zinc or copper-free aluminum UL File No. E-3060

For Aluminum Locknuts, add suffix A. (i.e., L050GRA). CSA File No. 4484

For Chrome-Plated Locknuts, add suffix CP. (i.e., L050CP). For 316 Stainless Steel Locknuts, add suffix SST (1/2" through 2" only.) For Locknut with Lay In Lug, add suffix GRL.

## Hubs and Bulkhead Fittings

### Raintight for Rigid or Intermediate Metal Conduit (IMC)

#### Chase® Threaded Conduit Hubs

##### Applications

- A fitting for connecting junction box to junction box, or junction box to the conduit system. The resulting connection maintaining ground continuity is raintight.
- Suitable for use where the system is normally hosed down (NEMA 4) for cleaning.

##### Features

- Plastic insulated throat, precision cast and machined surfaces permit safer wire pulling.
- Chase® design provides maximum space for wiring in the box. Locking nipple sits flush in the enclosure.
- Captive O-ring fits snugly in groove preventing loss and fumbling with parts.
- Knurled inner face of locking nipple provides 360 degrees of locking and bites through box wall to ensure grounding.
- Locking nipple has tightening lugs on two planes for easier assembly in hard to reach field conditions.
- Grounding hubs have a ground screw located within the enclosure providing a tamper-proof ground for device.
- Locking nipple design permits replacement of the box without disassembling the installation.

##### Standard Materials

HTZ Series: Certified die cast zinc alloy  
ZAMAK 3

HT Series: Die cast aluminum alloy A360  
with less than .004 copper content  
(copper-free)

O-ring: Buna N

Insulating Sleeves: Plastic

##### Standard Finish

Aluminum lacquer finish

##### Listings/Compliances

UL Listed

CSA Certified

Suitable for use in Wet Locations

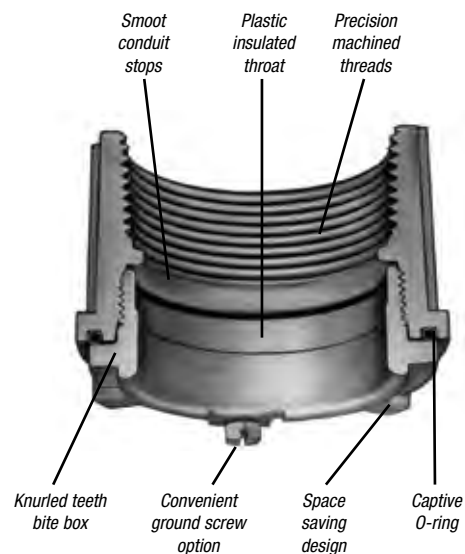
NEMA 4



HT, HTZ



HTGZ



## Hubs and Bulkhead Fittings

### CHASE® Hub with Insulated Throat



HTZ

### CHASE® Hub with Insulated Throat and Ground Screw

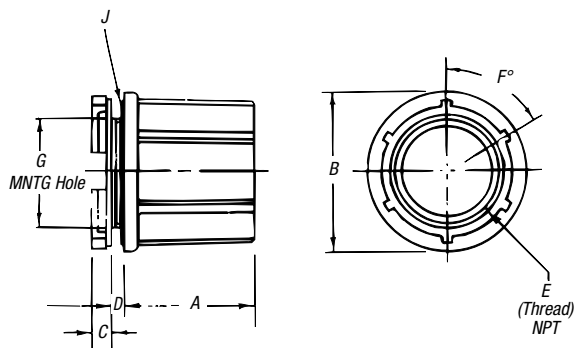


HTGZ

### CHASE® Aluminum Hub with Insulated Throat



HT



CAT. NO.	HUB SIZE	STD. PKG.	WT. LBS. APP. PER 100
HTZ1	1/2"	25	26
HTZ2	3/4"	25	32
HTZ3	1"	25	45
HTZ4	1 1/4"	10	58
HTZ5	1 1/2"	10	74
HTZ6	2"	10	93
HTZ7	2 1/2"	5	202
HTZ8	3"	2	250
HTZ9*	3 1/2"	2	300
HTZ10*	4"	2	360

\*Made to order item. Consult factory for lead time and minimum quantities.

CAT. NO.	HUB SIZE	STD. PKG.	WT. LBS. APP. PER 100
HTGZ1	1/2"	25	22
HTGZ2	3/4"	25	34
HTGZ3	1"	25	44
HTGZ4	1 1/4"	10	61
HTGZ5	1 1/2"	10	75
HTGZ6	2"	10	95
HTGZ7	2 1/2"	5	204
HTGZ8	3"	2	265
HTGZ9	3 1/2"	2	270
HTGZ10	4"	2	360

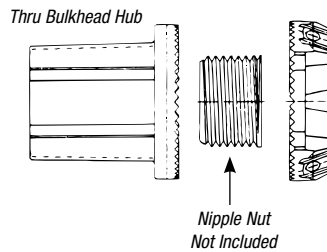
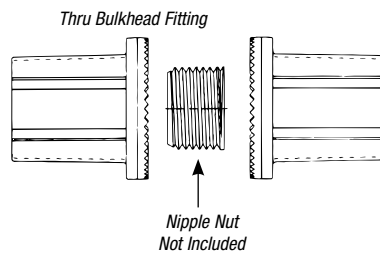
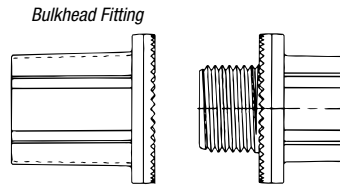
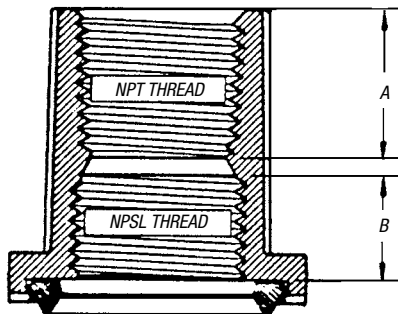
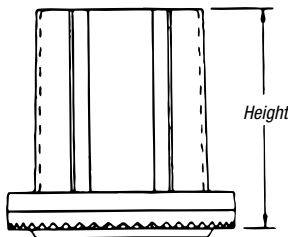
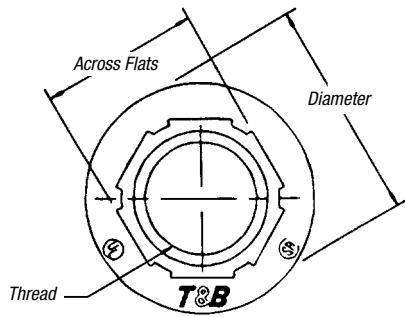
CAT. NO.	HUB SIZE	STD. PKG.	WT. LBS. APP. PER 100
HT1	1/2"	25	12
HT2	3/4"	25	14
HT3	1"	25	20
HT4	1 1/4"	10	27
HT5	1 1/2"	10	32
HT6	2"	10	44
HT7	2 1/2"	5	85
HT8	3"	2	120
HT9	3 1/2"	2	138
HT10	4"	2	155

### HTZ, HTGZ and HT Dimensions

HUB SIZE	PANEL WIDTH					MIN. G	MAX. H	O-RING SIZE J	
	A	B	C	D	E				
1/2"	1 3/8	1 13/32	1/4	3/16	1/2-14	60	2 1/2	59/64	214
3/4"	1 3/8	1 21/32	1/4	3/16	3/4-14	60	1 3/2	1 11/64	218
1"	1 19/32	1 7/8	1/4	3/16	1-11 1/2	60	1 5/16	1 29/32	222
1 1/4"	1 23/32	2 5/16	1/4	1/4	1 1/4-11 1/2	60	1 43/64	1 51/64	225
1 1/2"	1 3/4	2 3/8	1/4	1/4	1 1/2-11 1/2	60	1 29/32	2 13/64	227
2"	1 25/32	3 3/32	1/4	1/4	2-11 1/2	60	2 3/8	2 21/32	231
2 1/2"	2 1/4	2 45/64	3/8	1/4	2 1/2-8	45	2 1/8	3 3/32	236
3"	2 21/64	4 9/16	3/8	1/4	3-8	45	3 1/2	3 9/64	241
3 1/2"	2 23/64	4 13/16	3/8	1/4	3 1/2-8	45	4	4 7/16	245
4"	2 3/8	5 5/16	3/8	1/4	4-8	45	4 1/2	4 63/64	248

## Hubs and Bulkhead Fittings

### T&B® Bulkhead Fittings



CAT. NO.	TRADE SIZE (IN.)
<b>Bulkhead Fitting</b>	
H050BHD	1/2
H075BHD	3/4
H100BHD	1
H125BHD	1 1/4
H150BHD	1 1/2
H200BHD	2
H250BHD	2 1/2
H300BHD	3
H350BHD	3 1/2
H400BHD	4
H500BHD	5
H600BHD	6
<b>Thru Bulkhead Fitting</b>	
H050TBF	1/2
H075TBF	3/4
H100TBF	1
H125TBF	1 1/4
H150TBF	1 1/2
H200TBF	2
<b>Thru Bulkhead Hub</b>	
H050TBH	1/2
H075TBH	3/4
H100TBH	1
H125TBH	1 1/4
H150TBH	1 1/2
H200TBH	2

TRADE SIZE	THREAD	HEIGHT	DIAMETER	ACROSS FLATS	A (IN.)	B (IN.)
1/2"	1/2"-14"	1 13/32"	1 1/16"	1"	3/4	1/2
3/4"	3/4"-14"	1 15/32"	1 11/16"	1 1/4"	25/32	17/32
1"	1"-11 1/2"	1 11/16"	2"	1 17/32"	29/32	19/32
1 1/4"	1 1/4"-11 1/2"	1 25/32"	2 3/8"	1 27/32"	29/32	21/32
1 1/2"	1 1/2"-11 1/2"	1 13/16"	2 3/4"	1 7/8"	29/32	21/32
2"	2"-11 1/2"	1 27/32"	3 1/4"	2 5/8"	1 5/16	21/32
2 1/2"	2 1/2"-8"	2 3/32"	3 3/4"	3 1/8"	1 1/32	7/8
3"	3"-8"	2 9/16"	4 3/8"	3 25/32"	1 3/16	29/32
3 1/2"	3 1/2"-8"	2 9/16"	5"	4 9/32"	1 3/8	7/8
4"	4"-8"	2 9/16"	5 1/2"	4 27/32"	1 3/8	7/8
5"	5"-8"	2 23/32"	6 3/8"	5 29/32"	1 15/32	7/8
6"	6"-8"	3"	7 1/16"	7 1/32"	1 1/2	31/32

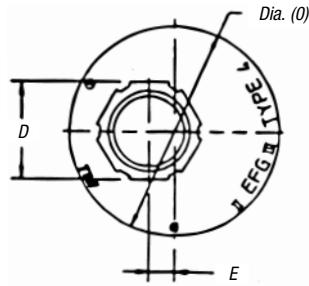
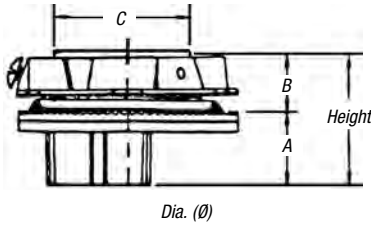
Material — Hub, Body and Locknut: Zinc or copper-free aluminum  
 Insulating Throat: Thermoplastic temp. rating – 105° C  
 Flammability Rating – 94V-0  
 Sealing Ring: Nitrile (BUNA "N")  
 For Aluminum Bulkheads, add suffix A. UL File No. E-3060  
 For Chrome-Plated Bulkheads, add suffix CP. CSA File No. 4484  
 Meets NEMA sealing requirements for NEMA 3R, 4 & 13 enclosures.

Conduit & Fittings — T&B® Rigid Fittings



## Hubs and Bulkhead Fittings

### Offset Reducers

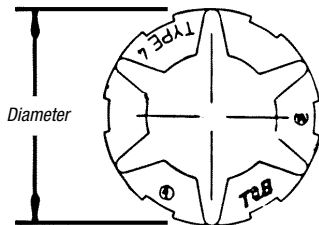
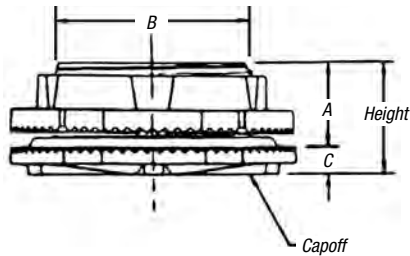


CAT. NO.	TRADE SIZE	HEIGHT	DIA. (Ø)	(IN.)				
				A DIA.	B	C	D	E
H150-TB075ORGR	1½"-¾"	1 <sup>21</sup> / <sub>32</sub> "	2 <sup>3</sup> / <sub>4</sub>	1 <sup>5</sup> / <sub>16</sub>	2 <sup>3</sup> / <sub>32</sub>	1 <sup>29</sup> / <sub>32</sub>	1 <sup>9</sup> / <sub>32</sub>	1 <sup>1</sup> / <sub>32</sub>
H150-TB100ORGR	1 <sup>9</sup> / <sub>32</sub> "-1"	1 <sup>25</sup> / <sub>32</sub> "	2 <sup>3</sup> / <sub>4</sub>	1 <sup>1</sup> / <sub>16</sub>	2 <sup>3</sup> / <sub>32</sub>	1 <sup>29</sup> / <sub>32</sub>	1 <sup>9</sup> / <sub>16</sub>	7 <sup>1</sup> / <sub>32</sub>
H150-TB125ORGR	1 <sup>9</sup> / <sub>32</sub> "-1¼"	1 <sup>25</sup> / <sub>32</sub> "	2 <sup>3</sup> / <sub>4</sub>	1 <sup>1</sup> / <sub>16</sub>	2 <sup>3</sup> / <sub>32</sub>	1 <sup>29</sup> / <sub>32</sub>	1 <sup>7</sup> / <sub>16</sub>	1 <sup>1</sup> / <sub>32</sub>
H250-TB200ORGR	2½"-2"	2 <sup>1</sup> / <sub>8</sub> "	3 <sup>3</sup> / <sub>4</sub>	1 <sup>1</sup> / <sub>16</sub>	1 <sup>5</sup> / <sub>16</sub>	2 <sup>29</sup> / <sub>32</sub>	2 <sup>21</sup> / <sub>32</sub>	3 <sup>1</sup> / <sub>32</sub>

Material — Offset Reducer and Locknut: Zinc or copper-free aluminum  
 Insulating Throat: Thermoplastic Temp. Rating – 105° C  
 Flammability Rating – 94V-0  
 Sealing Ring: Nitrile (BUNA "N")

For Aluminum Offset Reducer, add suffix A.  
 For Chrome-Plated Offset Reducer, add suffix CP.  
 Meets NEMA sealing requirements for NEMA 3R, 4 & 13 enclosures.  
 CSA Certified for hazardous locations Class II Groups E.F.G. Class III.  
 UL File No. E-3060  
 CSA File No. 4484

### Capoffs



CAT. NO.	TRADE SIZE	HEIGHT	DIAMETER	(IN.)		
				A	B	C
H050CAP	½"	1 <sup>13</sup> / <sub>32</sub> "	1 <sup>1</sup> / <sub>16</sub>	1 <sup>9</sup> / <sub>32</sub>	2 <sup>7</sup> / <sub>32</sub>	3 <sup>1</sup> / <sub>16</sub>
H075CAP	¾"	1 <sup>5</sup> / <sub>32</sub> "	1 <sup>11</sup> / <sub>16</sub>	1 <sup>9</sup> / <sub>32</sub>	1 <sup>1</sup> / <sub>16</sub>	3 <sup>1</sup> / <sub>16</sub>
H100CAP	1"	1 <sup>11</sup> / <sub>16</sub> "	2	1 <sup>11</sup> / <sub>16</sub>	1 <sup>3</sup> / <sub>16</sub>	¼
H125CAP	1¼"	1 <sup>25</sup> / <sub>32</sub> "	2 <sup>5</sup> / <sub>8</sub>	2 <sup>3</sup> / <sub>32</sub>	1 <sup>21</sup> / <sub>32</sub>	¼
H150CAP	1½"	1 <sup>13</sup> / <sub>16</sub> "	2 <sup>3</sup> / <sub>4</sub>	2 <sup>3</sup> / <sub>32</sub>	1 <sup>29</sup> / <sub>32</sub>	¼
H200CAP	2"	1 <sup>27</sup> / <sub>32</sub> "	3 <sup>1</sup> / <sub>4</sub>	2 <sup>3</sup> / <sub>32</sub>	2 <sup>5</sup> / <sub>8</sub>	¼
H250CAP	2½"	2 <sup>9</sup> / <sub>32</sub> "	3 <sup>3</sup> / <sub>4</sub>	7 <sup>1</sup> / <sub>8</sub>	2 <sup>29</sup> / <sub>32</sub>	¼
H300CAP	3"	2 <sup>9</sup> / <sub>16</sub> "	4 <sup>5</sup> / <sub>8</sub>	7 <sup>1</sup> / <sub>8</sub>	3 <sup>1</sup> / <sub>32</sub>	1 <sup>1</sup> / <sub>32</sub>
H350CAP	3½"	2 <sup>9</sup> / <sub>16</sub> "	5	2 <sup>9</sup> / <sub>32</sub>	4 <sup>1</sup> / <sub>32</sub>	1 <sup>1</sup> / <sub>32</sub>
H400CAP	4"	2 <sup>9</sup> / <sub>16</sub> "	5½	2 <sup>9</sup> / <sub>32</sub>	4½	1 <sup>1</sup> / <sub>32</sub>
H500CAP	5"	2 <sup>23</sup> / <sub>32</sub> "	6 <sup>5</sup> / <sub>8</sub>	2 <sup>9</sup> / <sub>32</sub>	5 <sup>9</sup> / <sub>16</sub>	1 <sup>1</sup> / <sub>32</sub>
H600CAP	6"	3"	7 <sup>5</sup> / <sub>8</sub>	3 <sup>1</sup> / <sub>32</sub>	6 <sup>5</sup> / <sub>8</sub>	1 <sup>1</sup> / <sub>32</sub>

Material — Capoff and Locknut: Zinc or copper-free aluminum  
 Insulating Throat: Thermoplastic temp. rating – 105° C  
 Flammability Rating – 94V-0  
 Sealing Ring: Nitrile (BUNA "N")

For Aluminum Capoff, add suffix A.  
 For Chrome-Plated Capoff, add suffix CP.  
 Meets NEMA sealing requirements for NEMA 3R, 4 & 13 enclosures.  
 CSA Certified for hazardous locations Class II Groups E.F.G. Class III.  
 UL File No. E-3060  
 CSA File No. 4484

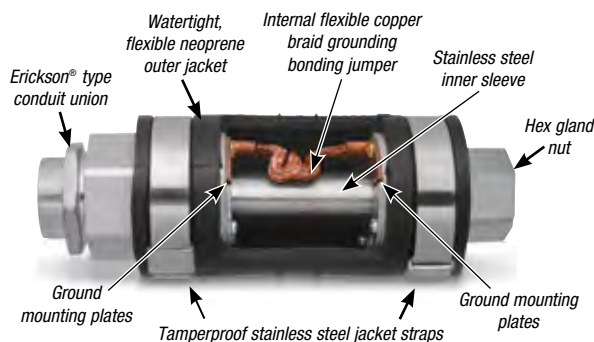
## Couplings and Accessories

**Watertight, flexible connections support movement and thermal expansion!**

### XD Expansion/Deflection Coupling

Use the T&B XD Expansion/Deflection Coupling to join two conduit runs in applications where movement in any direction is required. The coupling provides a flexible, watertight connection, accommodating axial or parallel movement of up to 3/4" and angular movement of up to 30° from normal.

- Ideal for use in bridges, tunnels, interbuilding walkways, docks and piers, wastewater and water treatment facilities and other applications in which conduit runs are subject to movement due to external forces or temperature changes
- Suitable for use indoors, outdoors, direct buried or embedded in concrete
- Watertight, flexible neoprene outer jacket, zinc-plated and acrylic-painted hubs and stainless steel tamperproof straps ensure superior corrosion resistance — ideal for use in harsh environments
- Copper ground mounting plates and grounding bonding jumper both entirely enclosed to safeguard against theft
- Includes an Erickson® type conduit union for faster, easier installation to reduce labor costs
- Durable stainless steel inner sleeve provides a constant, smooth inner diameter in any position to ease wire pulling and protect wire insulation from damage
- NPT threaded hubs fit standard threaded rigid metal conduit
- Can also be used with rigid PVC conduit with the use of standard adapters (not supplied)

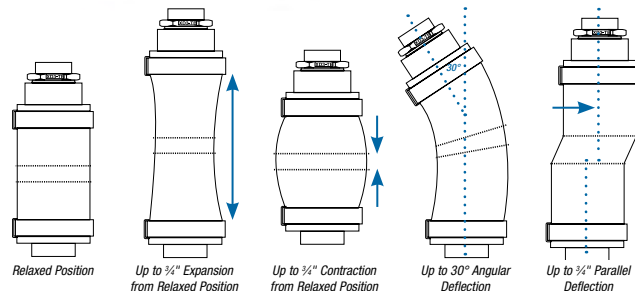
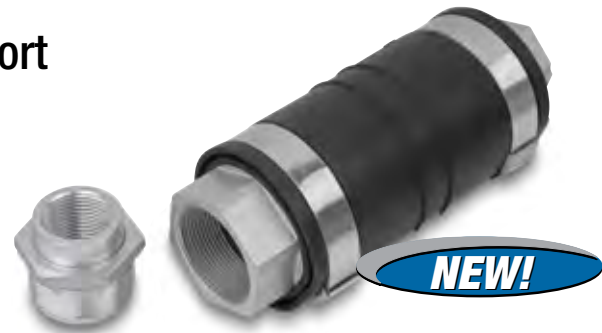


#### Listings/Compliances

UL® Listed to UL 514B and CSA Certified to C22.2 No. 18.3  
Suitable for Wet Locations (hub sizes 1"–6")

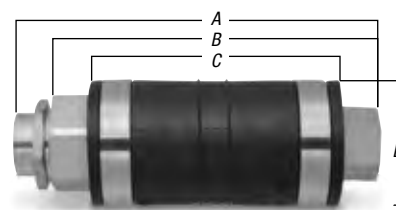
Watertight — NEMA 4

NEC® Article 250.98 and 300.4(A) compliant



#### Standard Materials/Finish

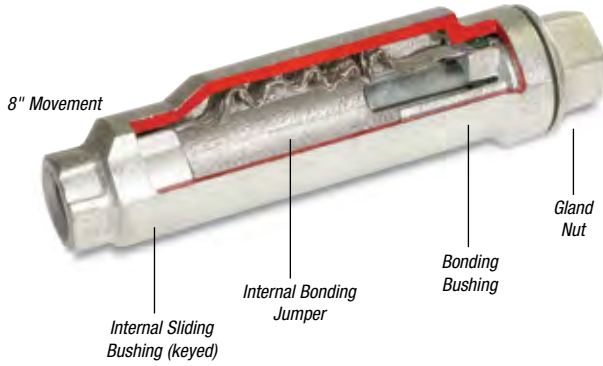
Hub.....	Ductile cast iron, zinc-plated and aluminum acrylic painted
Inner Sleeve .....	Stainless steel
Internal Grounding Bonding Jumper .....	Flexible copper braid
Ground Mounting Plates.....	Copper
Hub Rings .....	Zinc-plated steel
Outer Jacket.....	Molded neoprene (natural black)
Jacket Straps .....	Stainless steel



CAT. NO.	HUB SIZE (IN.)	DIMENSIONS (IN.)			
		A	B	C	D
XD3-TB	1	9 <sup>1</sup> / <sub>16</sub>	8 <sup>5</sup> / <sub>32</sub>	6 <sup>7</sup> / <sub>16</sub>	3 <sup>1</sup> / <sub>32</sub>
XD4-TB	1 <sup>1</sup> / <sub>4</sub>	9 <sup>9</sup> / <sub>16</sub>	8 <sup>3</sup> / <sub>8</sub>	6 <sup>7</sup> / <sub>8</sub>	3 <sup>3</sup> / <sub>8</sub>
XD5-TB	1 <sup>1</sup> / <sub>2</sub>	9 <sup>3</sup> / <sub>4</sub>	8 <sup>7</sup> / <sub>32</sub>	6 <sup>3</sup> / <sub>4</sub>	4 <sup>5</sup> / <sub>32</sub>
XD6-TB	2	9 <sup>3</sup> / <sub>4</sub>	8 <sup>1</sup> / <sub>2</sub>	7 <sup>1</sup> / <sub>4</sub>	4 <sup>11</sup> / <sub>16</sub>
XD7-TB	2 <sup>1</sup> / <sub>2</sub>	11 <sup>1</sup> / <sub>4</sub>	11 <sup>3</sup> / <sub>8</sub>	9 <sup>1</sup> / <sub>2</sub>	4 <sup>7</sup> / <sub>8</sub>
XD8-TB	3	10 <sup>1</sup> / <sub>2</sub>	9 <sup>9</sup> / <sub>32</sub>	7 <sup>27</sup> / <sub>32</sub>	5 <sup>15</sup> / <sub>16</sub>
XD9-TB	3 <sup>1</sup> / <sub>2</sub>	10 <sup>9</sup> / <sub>16</sub>	9 <sup>3</sup> / <sub>4</sub>	7 <sup>3</sup> / <sub>4</sub>	6 <sup>3</sup> / <sub>8</sub>
XD10-TB	4	13 <sup>3</sup> / <sub>16</sub>	11 <sup>27</sup> / <sub>32</sub>	8 <sup>7</sup> / <sub>8</sub>	7 <sup>7</sup> / <sub>32</sub>
XD12-TB	5	14	12 <sup>15</sup> / <sub>16</sub>	11	8 <sup>3</sup> / <sub>32</sub>
XD14-TB	6	14 <sup>5</sup> / <sub>16</sub>	13 <sup>3</sup> / <sub>8</sub>	11 <sup>1</sup> / <sub>2</sub>	9 <sup>19</sup> / <sub>32</sub>

## Couplings and Accessories

### No disassembly required! XJG Conduit Expansion Coupling



Slide the fitting onto the conduit until it stops at the internal sliding bushing. Tighten and you're ready. No parts to reassemble!



With a wrench, tighten the gland nut to compress the Teflon packing, creating a raintight seal around the conduit.

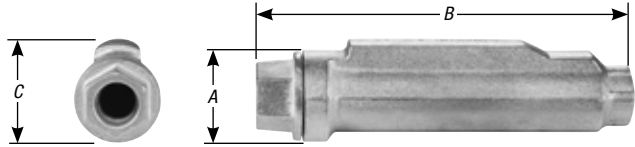


Thread the next length of conduit into the other end of the fitting and tighten. You're done!

#### Suggested Specifications for Expansion Fittings for Rigid Steel or Intermediate Metal Conduit

Where raceways require expansion fittings to compensate for thermal expansion and contraction and where expansion fittings and telescoping sections of metal raceway shall be made electrically continuous by bonding jumpers or other means:

- The fitting will be constructed from malleable or ductile iron with exterior and interior zinc plating for corrosion protection.
- The fitting shall be constructed so that disassembly is not required during installation.
- The fitting shall be raintight after installation.
- The fitting shall have an internal bonding jumper constructed of a tinned copper braid, sized to meet UL fault current test requirements and comply with bonding requirements — NEC® Article 250.98
- External bonding jumper shall not be required to comply with NEC® requirements
- Accepted Manufacturers: Thomas & Betts XJG-TB Series



#### XJG-TB Conduit Expansion Coupling for Rigid and Intermediate Metal Conduit

CAT NO.	SIZE	MOVEMENT	A DIAMETER IN.	B LENGTH IN.	C HEIGHT IN.
XJG24-TB	¾"	4"	2.43	10.00	2.75
XJG28-TB	¾"	8"	2.43	14.00	2.75
XJG34-TB	1"	4"	2.67	10.00	2.99
XJG38-TB	1"	8"	2.67	14.00	2.99
XJG44-TB	1¼"	4"	3.36	10.56	3.68
XJG48-TB	1¼"	8"	3.36	14.56	3.68
XJG54-TB	1½"	4"	3.36	10.56	3.68
XJG58-TB	1½"	8"	3.36	14.56	3.68
XJG64-TB	2"	4"	3.86	11.25	4.18
XJG68-TB	2"	8"	3.86	15.25	4.18
XJG74-TB	2½"	4"	4.96	12.12	5.25
XJG78-TB	2½"	8"	4.96	16.12	5.25
XJG84-TB	3"	4"	4.96	12.12	5.25
XJG88-TB	3"	8"	4.96	16.12	5.25
XJG94-TB	3½"	4"	6.37	12.87	6.75
XJG98-TB	3½"	8"	6.37	16.87	6.75
XJG104-TB	4"	4"	6.37	12.87	6.75
XJG108-TB	4"	8"	6.37	16.87	6.75
XJG1208-TB	5"	8"	7.99	18.87	8.56

Please consult Technical Services for special orders and availability of products not shown in this list.

## Couplings and Accessories



### Features

- Fast and easy installation — no disassembly required
- No external grounding strap needed — internal bonding jumper is protected from tampering and the environment
- Exceeds code requirements for long conduit runs to permit linear movement

### Standard Materials/Finish

Body ..... Ductile Iron, available PVC Coated  
 Internal Bonding Jumper ..... Tinned Copper Braid  
 Exterior and Interior Finish ..... Zinc Plating, Aluminum Acrylic Paint  
 Packing ..... PTFE/Synthetic Fiber Material

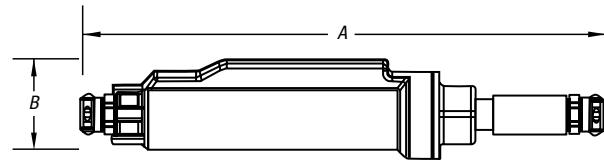
### Listings/Compliances

UL File E23018, Std. 514B, Suitable for Wet Locations  
 CSA File LR2884, Std. C22.2 No. 18  
 NEC® 250.98



XJG24-EMT

**Note:** XJG-EMT Couplings are not raintight and are for use in dry locations only. They are UL Listed for use with aluminum EMT.



### XJG-EMT Conduit Expansion Coupling for EMT

CAT NO.	SIZE	MOVEMENT	A LENGTH (IN.)	B HEIGHT (IN.)
XJG24-EMT	¾"	4"	17.39	2.75
XJG28-EMT	¾"	8"	21.39	2.75
XJG34-EMT	1"	4"	17.42	2.99
XJG38-EMT	1"	8"	21.42	2.99
XJG44-EMT	1¼"	4"	18.27	3.46
XJG48-EMT	1¼"	8"	22.27	3.46
XJG54-EMT	1½"	4"	18.69	3.68
XJG58-EMT	1½"	8"	22.69	3.68
XJG64-EMT	2"	4"	19.04	4.18
XJG68-EMT	2"	8"	23.04	4.18
XJG74-EMT	2½"	4"	23.23	4.52
XJG78-EMT	2½"	8"	27.23	4.52
XJG84-EMT	3"	4"	24.09	5.25
XJG88-EMT	3"	8"	28.09	5.25
XJG94-EMT	3½"	4"	28.70	6.00
XJG98-EMT	3½"	8"	28.70	6.00
XJG104-EMT	4"	4"	29.30	6.75
XJG108-EMT	4"	8"	29.30	6.75



8123 Series



8130 Series



8120 Series

## Threadless Connector/Coupling

(For Threadless Rigid Metal Conduit and Intermediate Metal Conduit)

### Application

- To connect and effectively bond threadless rigid metal conduit/intermediate metal conduit to a box or enclosure, or to couple ends of threadless conduit

### Features

- Steel/Malleable Iron construction
- Case-hardened ring bites into conduit for high-quality continuity and grip
- Nylon insulator firmly secured in place protects conductors and reduces wire pulling effort by as much as 50%; prevents thread damage in handling
- Case-hardened steel locknut or malleable iron locknut designed to provide a positive bond
- Suitable for concrete-tight application
- Capable of carrying ground fault currents up to 10,000 amps RMS (½" through 1½" size) and 20,000 amps RMS (2" and above sizes) for a duration of current three cycles

### Standard Material

Nut, Gland ..... ½" to 1" Steel – ¼" to 4" Malleable Iron  
 Body ..... All Malleable Iron  
 Ring ..... Steel (case hardened)  
 Insulator ..... Nylon  
 Locknut ..... ½" thru 2" Steel (hardened) 2" thru 4" Malleable Iron

### Standard Finish

Electro Zinc Plated & Chromate Coated

### Range

8123 & 8120 Series ..... ½" through 4" Size Conduit  
 8130 Series ..... ½" through 2" Size Conduit  
 All hub threads ..... Straight Pipe (NPS)

### Listings/Compliances

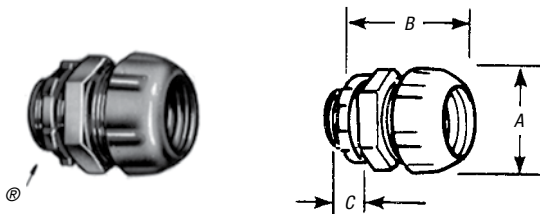
UL 514B	Federal Specification A-A-50553
CSA C22.2 No. 18	Federal Standard H-28 (Threads)
NFPA 70	UL (UL File No: E-23018)
NEMA FB1	CSA (LR-2884, LR-4484)

## Couplings and Accessories

Split steel ring with diagonal serrations grips conduit and bites in for positive ground!

### Threadless Connectors — Nylon Insulated

- Makes a permanent connection
- Eliminates need for cutting a thread on conduit
- Insulation helps ensure continuity of service by protecting the conductor at the critical point — the connector bushing
- Malleable iron construction
- Look for the unique T&B blue color, ensuring the highest quality fitting



CAT. NO.		CONDUIT SIZE	DIMENSIONS (IN.)		
NYLON INSUL.	NON-INSUL.		A	B	C
8123	8121	1/2"	1 1/32	1 1/16	1/2
8223	8221	3/4"	1 1/32	1 3/4	1/2
8323	8321	1"	1 29/32	2	9/16
8423	8421	1 1/4"	2 3/8	2 7/16	1 1/16
8523	8521	1 1/2"	2 11/16	2 5/8	3/4
8623	8621	2"	3 1/4	2 13/16	27/32
8723-TB	8721	2 1/2"	4 1/8	3 13/16	1 1/8
8823	8821	3"	4 7/8	4	1 1/32
8853	8851	3 1/2"	5 1/2	4 1/8	1 1/8
8973	8971	4"	6 1/32	4 7/8	1 1/8

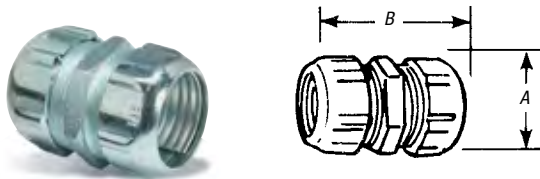
Available with DURA-PLATE® Finish. UL File No. E-23018 CSA File No. 2884

Just tighten with a wrench to make a UL Listed and CSA Certified concrete-tight connection!



### Threadless Couplings

- Eliminates need for conduit threading
- Malleable iron construction



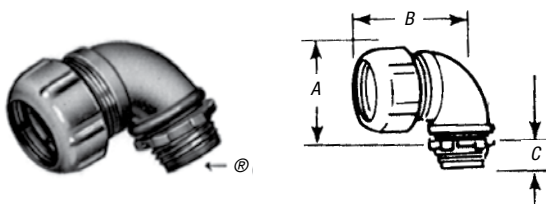
CAT. NO.	SIZE	DIMENSIONS (IN.)	
		A	B
8120	1/2"	1 9/32	2
8220	3/4"	1 19/32	2 5/16
8320	1"	1 7/8	2 11/16
8420	1 1/4"	2 5/8	2 13/16
8520	1 1/2"	2 5/8	3 5/8
8620	2"	3 3/4	3 13/16
8720	2 1/2"	3 15/16	5 3/8
8820	3"	4 11/16	5 1/2
8850	3 1/2"	5 3/16	5 1/2
8970	4"	5 11/16	5 1/2

Available with DURA-PLATE® Finish. UL File No. E-23018 CSA File No. 2884

Ideal for entering enclosure or conduit body at right angles!

### Threadless Short Elbows — Nylon Insulated

- Eliminates need to thread conduit
- As with straight couplings, makes a concrete-tight connection
- Malleable iron construction



CAT. NO.	SIZE	DIMENSIONS (IN.)		
		A	B	C
8130	1/2"	1 11/32	1 1/2	1/2
8131	3/4"	1 5/8	1 3/4	9/16
8132	1"	1 7/8	1 15/16	1 1/16

Available with DURA-PLATE® Finish. UL File No. E-23018 CSA File No. 2884



## Couplings and Accessories

### Set-Screw Connector/Coupling

(For Threadless Rigid Metal Conduit and Intermediate Metal Conduit)

#### Application

- To connect and effectively bond threadless rigid metal conduit or intermediate metal conduit to a box or enclosure or to couple ends of threadless conduit

#### Features

- Thickwall steel or malleable iron body
- Hardened hex head cup point screw to provide high-quality bond
- Screw captivated, will not vibrate loose
- Nylon insulated throat meets and exceeds all code requirements for bushing:
  - Prevents thinning of insulation
  - Reduces installation effort
  - Prevents first thread damage

- Coupling provided with positive center stop
- Suitable for concrete-tight application
- Capable of carrying ground fault currents up to 10,000 amps RMS (½" through 1½" size) and 20,000 amps RMS (2" and above sizes)

#### Standard Material

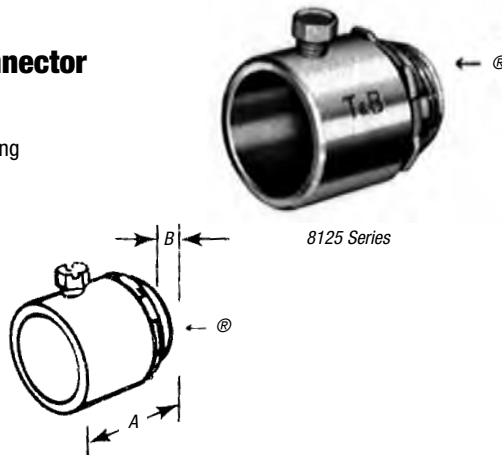
Body .....	½" thru 2" Steel	UL 514B
	2½" thru 4" Malleable Iron	CSA C22.2 No. 18
Locknut .....	½" thru 2" Steel (hardened)	NFPA 70
	2½" thru 4" Malleable Iron	NEMA FB1
Screw .....	Steel (hardened)	Federal Specification A-A-50553
Insulator .....	Nylon	Federal Standard H-28 (Threads)



Eliminates the need for conduit threading!

### Insulated Set-Screw Connector

- Captive hex head screws tighten down onto conduit for positive holding strength and ground
- Furnished with insulated throats to reduce wire-pulling effort by as much as 50%
- Approved concrete-tight



CAT. NO.	CONDUIT SIZE	DIMENSIONS (IN.)	
		A	B
8125	½"	1⅜	1⅝
8225	¾"	1½	7/16
8325	1"	1⅞	5/16
8425	1¼"	2	5/8
8525	1½"	2⅞	5/8
8625-TB	2"	2⅞	1⅞
8725-TB	2½"	3⅞	1
8825	3"	3⅞	1
8855	3½"	3⅞	1⅞
8975	4"	4⅞	1⅞

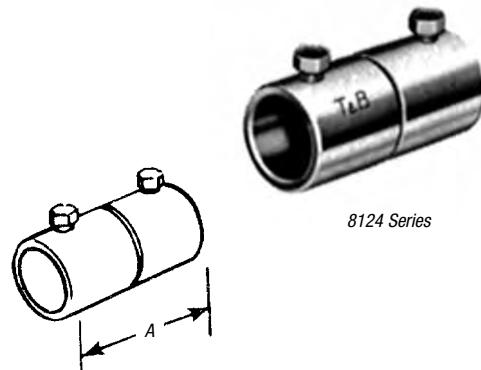
Sizes ½"–2" made of steel. Sizes 2½"–4" are malleable iron. Available with DURA-PLATE® Finish.

UL File No. E-23018 CSA File No. 2884

No need to thread conduit ends when joining rigid conduit!

### Set-Screw Coupling

- Captive hex head screws provide positive holding strength and ground continuity
- Approved concrete-tight



CAT. NO.	CONDUIT SIZE	DIMENSION (IN.)
		A
8124	½"	2½
8224	¾"	2⅞
8324-TB	1"	2⅞
8424	1¼"	3
8524	1½"	3⅞
8624	2"	3⅞
8724	2½"	3⅞
8824-TB	3"	4¼
8854	3½"	4⅞
8974	4"	5⅞

Sizes ½"–2" made of steel; sizes 2½"–4" are malleable iron. Available with DURA-PLATE® Finish.

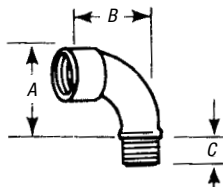
UL File No. E-23018 CSA File No. 2884

## Couplings and Accessories

Smoothly rounded shoulders protect conductor insulation!

### Bushed Elbows

- Non-insulated
- Malleable iron construction



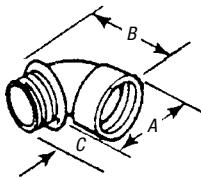
CAT. NO.	SIZE	DIMENSIONS (IN.)		
		A	B	C
460-TB	1/2"	1 1/8"	1 13/16"	5/8"
461TB	3/4"	1 1/2"	2 1/4"	5/8"
462	1"	1 13/16"	2 11/16"	3/4"
463	1 1/4"	2 1/4"	3 3/8"	3/4"

*Available with DURA-PLATE® Finish. UL File No. E 23018. CSA File No. 2884*

Integral insulation ensures a smooth bushing in every fitting!

### Short Elbows — Nylon Insulated

- Malleable iron construction



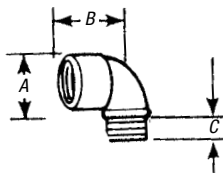
CAT. NO.	SIZE	DIMENSIONS (IN.)		
		A	B	C
4290	1/2"	1 1/32"	1 1/4"	1/2"
4291	3/4"	1 1/16"	1 9/16"	9/16"
4292	1"	1 23/32"	1 9/16"	1 1/16"
4293	1 1/4"	2 1/32"	2 1/16"	1 3/16"
4294	1 1/2"	2 15/32"	2 3/16"	1 3/16"
4295	2"	3"	2 5/16"	1 3/16"

*Available with DURA-PLATE® Finish. Not UL or CSA.*

For non-insulated applications.

### Short Elbows

- Malleable iron construction

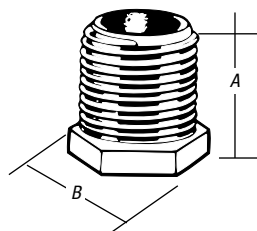


CAT. NO.	SIZE	DIMENSIONS (IN.)		
		A	B	C
4250	1/2"	1 5/16"	1 1/4"	7/16"
4251	3/4"	1 17/32"	1 9/16"	1/2"
4252	1"	1 13/16"	1 9/16"	5/8"
4253	1 1/4"	2 5/32"	2 1/16"	1 1/16"
4254	1 1/2"	2 9/16"	2 3/16"	1 1/16"
4255	2"	3 3/32"	2 5/16"	1 1/16"

*Available with DURA-PLATE® Finish. U.L. File #E-23018 CSA File No. 589*

### Conduit Nipples

- Die-cast zinc
- 1" long

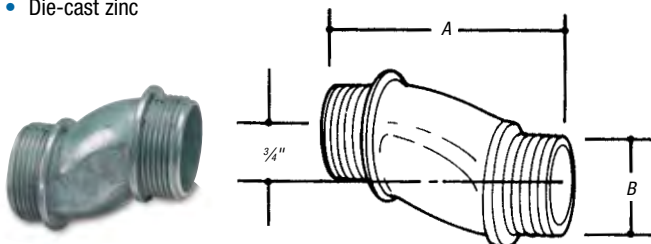


CAT. NO.	SIZE	DIMENSIONS (IN.)	
		A	B
HA-211	1/2"	1"	1 5/16"
HA-212	3/4"	1"	1 3/16"
HA-213	1"	1"	1 7/16"

*UL File No. E-1275 1/2" & 3/4" only*

### Offset Nipples

- Die-cast zinc



CAT. NO.	SIZE	DIMENSIONS (IN.)	
		A	B
HO-221	1/2"	2.60"	1.00"
HO-222	3/4"	2.62"	1.32"
HO-223	1"	2.68"	1.51"
HO-224	1 1/4"	2.85"	1.85"
HO-225	1 1/2"	2.88"	2.08"
HO-226	2"	3.19"	2.71"

*3/4" offset*

*UL File No. E-1275*

## Couplings and Accessories

### Threaded Erickson® Three-Piece Coupling

(For Threaded Rigid Metal Conduit and Intermediate Metal Conduit)



674 Series  
675AL Series

#### Application

- To couple and effectively bond threaded ends of rigid metal conduit/intermediate metal conduit where neither length of conduit can be rotated

#### Features

- Malleable iron/steel/copper-free aluminum construction
- Free fitting threads ensure easy assembly
- Permits conduit coupling without rotating either conduit
- Provides rigid in-line coupling with high-quality grounding; will not loosen under vibration
- Suitable for concrete-tight application
- Capable of carrying ground fault currents up to 10,000 amps RMS (1/2" through 1 1/2" size) and up to 20,000 amps RMS (2" and above) (duration of fault current three cycles) (674 series tested)

#### Standard Material

##### 674 Series

Bushing & Case..... Malleable Iron  
Ring..... Steel & Malleable Iron

##### 675AL Series

Bushing & Case..... Aluminum  
Ring..... Aluminum

#### Standard Finish

674 Series: Electro Zinc Plated & Chromate Coated

675AL Series: Degreased

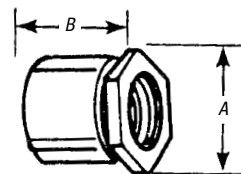
#### Range

3/8" thru 6" Conduit (malleable iron)  
1/2" thru 6" Conduit (aluminum)  
All straight pipe threads (NPS)

#### Listings/Compliances

UL 514B  
CSA C22.2 No. 18  
NEMA FB1  
NFPA 70-1999 (ANSI)  
Federal Specification A-A-50553  
Federal Standard H-28 (Threads)  
Raintight

With an ERICKSON® coupling, a conduit run may be completed when neither conduit can be turned. A conduit run may also be broken without taking down the whole run. Conduit joined with ERICKSON® Couplings is rigid and in line and vibration will not loosen the connections. Malleable iron.



CAT. NO.	ALUM.* CAT. NO.	SIZE	DIMENSIONS (IN.)	
			A	B
674	—	3/8"	1 1/8	1 1/8
675	675AL	1/2"	1 1/32	1 1/4
676	676AL	3/4"	1 1/16	1 13/32
677	677AL	1"	1 29/32	1 1/8
678	678AL	1 1/4"	2 1/8	1 13/16
679	679AL	1 1/2"	2 1/8	1 3/32
680TB	680AL	2"	3 1/32	2 1/32
681	681AL	2 1/2"	3 13/32	2 1/16
682	682AL	3"	4 1/16	2 29/32
683	683AL	3 1/2"	5	3
684	684AL	4"	5 1/2	3 1/16
685	685AL	4 1/2"	6 1/4	3 15/32
686	686AL	5"	6 25/32	3 3/4
687	687AL	6"	8	4 1/32

\*Copper-Free Aluminum

UL Listed and CSA Certified concrete-tight.

UL File No. E-23018

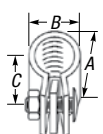
CSA File No. 2884

### Split Couplings

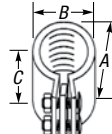
- Ideal for retrofit installations or in tight areas
- Fast installation
- Neoprene gasket provides a concrete-tight seal
- Joins threaded conduit even when the conduit can't rotate
- Approved for direct burial



T&B's Split Coupling is a simple method to join threaded conduits in retrofits or in snug areas. Available in 1/2" to 6".



1/2" and 3/4" furnished with one screw



1" and 6" furnished with two screws



CAT. NO.	TRADE SIZE	DIMENSIONS (IN.)			WEIGHT PER 100
		A	B	C	
SPCP50	1/2"	2	1 1/4	1 1/4	34.4
SPCP75	3/4"	2 1/16	1 1/2	1 1/4	39.4
SPCP100	1"	2 1/8	1 13/16	1 1/8	60.0
SPCP125	1 1/4"	3 1/16	2 1/16	1 1/8	75.0
SPCP150	1 1/2"	3 1/16	2 1/16	1 15/16	112.5
SPCP200	2"	3 13/16	2 1/8	2	112.5
SPCP250	2 1/2"	4 1/8	3 1/16	3 1/16	275.0
SPCP300	3"	5 1/16	4 1/8	3 1/8	300.0
SPCP350	3 1/2"	6 1/16	4 13/16	3 3/4	425.0
SPCP400	4"	6 1/16	5 1/8	3 1/16	500.0
SPCP500	5"	8 1/16	6 1/16	3 3/8	900.0
SPCP600	6"	9 1/4	7 1/8	4 1/16	1,300.0

#### Specifications

- Material: Malleable Iron
- Plating: Zinc Plated
- Gasket: Neoprene
- Standards: UL Standard 514B, NEMA FB-1

www.tnb.com

United States  
Tel: 901.252.8000  
800.816.7809  
Fax: 901.252.1354

Technical Services  
Tel: 888.862.3289

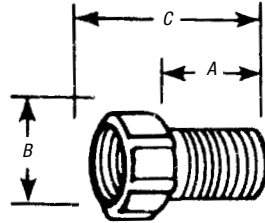
Thomas & Betts

## Couplings and Accessories

The ideal solution for applications requiring longer thread length!

### Panel Connector Extensions

- Will combine with any fitting with a male thread
- Male thread of panel connector extension is 1" long
- Malleable iron construction



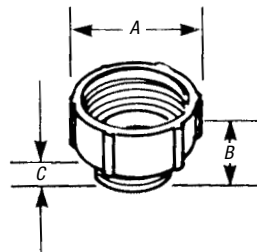
CAT. NO.	SIZE	DIMENSIONS (IN.)		
		A	B	C
1440	1/2"	1 1/4	1 3/32	1 1/8
1441	3/4"	1 3/8	1 11/32	2
1442	1"	1 1/4	1 19/32	1 15/16
1443	1 1/4"	1 1/4	1 15/16	1 15/16

UL File No. E-23018

CSA File No. 2884

Adapt an outlet hole to the next larger size of conduit!

### Male Enlargers\*



- Built-in bushing covers rough ends of conduit
- Malleable iron construction



CAT. NO.	SIZE	DIMENSIONS (IN.)		
		A	B	C
1245	1/2" to 3/4"	1 13/32	1 1/16	1/2
1246	3/4" to 1"	1 11/16	1 1/4	19/32
1244	1" to 1 1/4"	2 1/16	1 11/32	1/2
1247	1 1/4" to 1 1/2"	2 5/16	1 3/8	9/16

\* All items shown in this chart are suitable for use in hazardous locations where general purpose equipment is specifically permitted by the NEC; Class I, Div. 2; Class II, Div. 1 & 2; Class III, Div. 1 & 2, NEC 501-4(b); 502-4(a)(b); 503-3(a)(b). Available with DURA-PLATE® Finish.

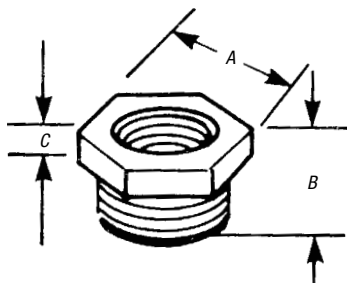
UL File No. E-23018

CSA File No. 2884

Adapt any outlet to the next smaller size of conduit!

### Female Reducers\*

- Hex shoulder for easy wrench tightening
- Malleable iron construction



CAT. NO.	SIZE	DIMENSIONS (IN.)		
		A	B	C
1250-TB	3/4" to 1/2"	1 1/8	5/8	3/16
1261	1" to 1/2"	1 1/16	2 1/32	3/16
1251	1" to 3/4"	1 3/8	1 1/16	3/16
1262	1 1/4" to 1/2"	1 13/16	2 3/32	3/16
1263	1 1/4" to 3/4"	1 13/16	2 3/32	3/16
1252	1 1/4" to 1"	1 3/4	2 5/32	7/32
1253	1 1/2" to 1 1/4"	2	1 9/16	1/4
1254	2" to 1 1/2"	2 3/8	1 3/16	9/32
1255	2 1/2" to 2"	3	1 1/4	3/8
1256	3" to 2 1/2"	3 5/8	1 1/2	1/2
1257	3 1/2" to 3"	4 1/8	1 9/16	1/2
1258	4" to 3 1/2"	4 5/8	1 9/16	1/2

\* All items shown in this chart are suitable for use in hazardous locations where general purpose equipment is specifically permitted by the NEC; Class I, Div. 2; Class II, Div. 1 & 2; Class III, Div. 1 & 2, NEC 501-4(b); 502-4(a)(b); 503-3(a)(b).

Available with DURA-PLATE® Finish. UL File No. E-23018 CSA File No. 2884

## Couplings and Accessories

### Stainless Steel Pipe Straps



Thomas & Betts offers stainless steel pipe straps to support and securely fasten rigid, IMC and EMT conduit. One- and two-hole stainless steel straps are ideal for industrial applications such as petro-chemical plants, manufacturing plants, pulp and paper mills, food processing, power plants, refineries and mining operations. Stainless steel pipe straps are also useful in commercial applications in schools, hospitals, office buildings, airports, casinos and stadiums.

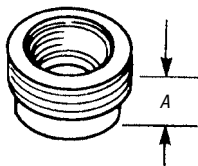
- Higher degree of corrosion resistance than traditional zinc-plated or hot-dipped galvanized straps
- One and two-hole straps for EMT sizes ½" through 2"
- One and two-hole straps for Rigid and IMC size ½" through 4"
- 303 stainless steel

CAT. NO.	TRADE SIZE	WT. PER 100	HOLE DIA.	STD. PKG.	CAT. NO.	TRADE SIZE	WT. PER 100	HOLE DIA.	STD. PKG.
<b>One-Hole EMT Straps</b>					<b>Two-Hole EMT Straps</b>				
TS101-SS	½"	2.21	¼"	25	TS901-SS	½"	2.21	¼"	25
TS102-SS	¾"	2.49	¼"	25	TS902-SS	¾"	3.31	¼"	25
TS103-SS	1"	3.31	¼"	25	TS903-SS	1"	3.87	¼"	25
TS104-SS	1¼"	3.64	1/16"	10	TS904-SS	1¼"	7.54	1/16"	10
TS105-SS	1½"	3.87	1/16"	5	TS905-SS	1½"	12.21	1/16"	5
TS106-SS	2"	4.03	1/16"	5	TS906-SS	2"	18.23	1/16"	5
<b>One-Hole Rigid/IMC Straps</b>					<b>Two-Hole Rigid/IMC Straps</b>				
HS100-SS	¾"	2.00	9/32"	20	HS901-SS	½"	2.49	9/32"	20
HS101-SS	½"	2.21	9/32"	20	HS902-SS	¾"	3.64	9/32"	20
HS102-SS	¾"	2.49	9/32"	20	HS903-SS	1"	4.15	9/32"	20
HS103-SS	1"	3.48	9/32"	20	HS904-SS	1¼"	8.17	1/16"	10
HS104-SS	1¼"	3.76	1/32"	10	HS905-SS	1½"	17.50	1/32"	10
HS105-SS	1½"	18.22	1/32"	10	HS906-SS	2"	21.37	1/32"	5
HS106-SS	2"	19.69	1/32"	5	HS907-SS	2½"	21.54	1/32"	5
HS107-SS	2½"	67.21	1/32"	5	HS908-SS	3"	25.72	1/32"	5
HS108-SS	3"	76.45	1/32"	5	HS909-SS	3½"	27.27	1/32"	5
HS110-SS	4"	80.18	1/32"	5	HS910-SS	4"	31.70	1/32"	5

Conduit & Fittings — T&B® Rigid Fittings

Reduces threaded opening in conduit bodies or any female threaded fitting!

### Threaded Reducers



- Smooth, built-in bushing completely covers rough ends of conduit
- Malleable iron or steel construction (steel through 606, also 614 and 615)

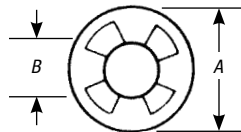
CAT. NO.		DIMENSION (IN.)	
STL. OR MI	ALUM.	SIZE	A
600TB	600ALTB	½" to ¾"	9/16"
601TB	601ALTB	¾" to 1"	9/16"
602TB	602ALTB	1" to 1½"	5/8"
603TB	603ALTB	1" to ¾"	5/8"
604TB	604ALTB	1¼" to 1½"	13/16"
605TB	605AL	1¼" to ¾"	5/8"
606TB	606AL	1¼" to 1"	15/16"
607	607AL	1½" to 1"	13/16"
608	608AL	1½" to ¾"	13/16"
609	609AL	1½" to 1"	15/16"
610	610AL	1½" to 1¼"	¾"
611TB	611AL	2" to 1½"	15/16"
612	612AL	2" to ¾"	15/16"
613	613AL	2" to 1"	15/16"
614TB	614AL	2" to 1¼"	15/16"
615TB	615AL	2" to 1½"	7/8"

UL File No. E-23018

CSA File No. 2884

Reduce knockout hole in outlet box!

### Reducing Washers



- Used in pairs
- Interlock to form a rib that centers washers and conduit in knockout
- Galvanized steel construction

CAT. NO.	SIZE	DIMENSIONS (IN.)	
		A	B
3700	¾" to ¾"	1½"	45/64"
3701	¾" to ½"	1½"	7/8"
3702	1" to ¾"	1½"	45/64"
3703	1" to ½"	1½"	7/8"
3704	1" to ¾"	1½"	13/32"
3705-TB	1¼" to ¾"	2"	45/64"
3706	1¼" to ½"	2"	7/8"
3707	1¼" to ¾"	2"	13/32"
3708	1¼" to 1"	2"	123/64"
3709	1½" to ¾"	2¼"	45/64"
3710	1½" to ½"	2¼"	7/8"
3711	1½" to ¾"	2¼"	13/32"
3712	1½" to 1"	2¼"	123/64"
3713	1½" to 1¼"	2¼"	123/32"
3714	2" to ½"	2¾"	7/8"
3715-TB	2" to ¾"	2¾"	13/32"
3716	2" to 1"	2¾"	123/64"
3717	2" to 1¼"	2¾"	123/32"
3718	2" to 1½"	2¾"	133/32"

UL File No. E-13938

CSA File No. 2884



## Couplings and Accessories

For rigid metal conduit and intermediate metal conduit

### Conduit Straps

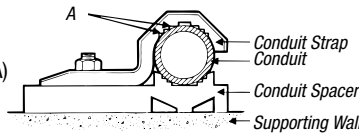
#### Application

- To support and securely fasten rigid metal conduit and intermediate metal to the supporting surface

#### Features

- Rugged malleable iron/copper-free aluminum construction — snugly fits on the conduit
- Designed to prevent accumulation of moisture and start of corrosion on vertical run of conduit (A)
- Galvanized finish 1275 Series
- Copper-free aluminum 1276AL Series

1275 Series  
1276AL Series



#### Standard Material

1275 Series.....Malleable Iron  
1276AL Series.....All copper-free aluminum

#### Standard Finish

1275 Series.....Hot Dipped  
1276AL Series ....As Cast Galvanized

#### Range

1275 Series..... $\frac{3}{8}$ " through 6" conduit  
1276AL Series..... $\frac{3}{8}$ " through 4" conduit

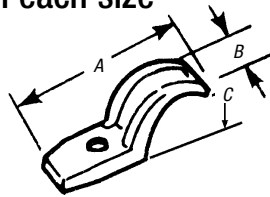
#### Listings/Compliances

CSA (LR-2884, LR-4484)  
CSA C22.2 No. 18  
NFPA 70

Designed for snug fit on each size of conduit!

### Pipe Straps — Malleable Iron or Aluminum

- High reinforcing ribs on each side increase strength and reduce weight
- Available in malleable iron with hot-dipped galvanized finish or in copper-free aluminum



CAT. NO.		SIZE	A	B	C	SCREW SIZE
MAL. IRON	ALUM.					
1275†	1275AL	$\frac{3}{8}$ "	$1\frac{1}{8}$ "	$1\frac{1}{16}$ "	$\frac{3}{4}$ "	#12
1276†	1276AL†	$\frac{1}{2}$ "	$2\frac{5}{32}$ "	$2\frac{1}{32}$ "	$1\frac{1}{32}$ "	$\frac{1}{4}$ "
1277†	1277AL†	$\frac{3}{4}$ "	$2\frac{9}{16}$ "	$1\frac{1}{16}$ "	$1\frac{1}{32}$ "	$\frac{1}{4}$ "
1278†	1278AL†	1"	3"	$\frac{3}{4}$ "	$1\frac{17}{32}$ "	$\frac{1}{4}$ "
1279†	1279AL†	$1\frac{1}{4}$ "	$3\frac{3}{4}$ "	$1\frac{3}{16}$ "	$1\frac{1}{8}$ "	$\frac{5}{16}$ "
1280†	1280AL	$1\frac{1}{2}$ "	$4\frac{1}{16}$ "	$1\frac{5}{16}$ "	$2\frac{1}{8}$ "	$\frac{3}{8}$ "
1281	1281AL	2"	$5\frac{5}{16}$ "	$1\frac{1}{8}$ "	$2\frac{17}{64}$ "	$\frac{7}{16}$ "
1282*	1282AL	$2\frac{1}{2}$ "	$5\frac{15}{16}$ "	$1\frac{1}{2}$ "	$2\frac{3}{4}$ "	$\frac{1}{2}$ "
1283*	1283AL	3"	$6\frac{11}{16}$ "	$1\frac{5}{8}$ "	$3\frac{11}{32}$ "	$\frac{1}{2}$ "
1284	1284AL	$3\frac{1}{2}$ "	$7\frac{19}{32}$ "	$1\frac{3}{4}$ "	$3\frac{29}{32}$ "	$\frac{5}{8}$ "
1285*	1285AL	4"	$8\frac{1}{16}$ "	$1\frac{7}{8}$ "	$4\frac{1}{32}$ "	$\frac{5}{8}$ "
1286	—	$4\frac{1}{2}$ "	$9\frac{1}{16}$ "	$1\frac{15}{16}$ "	$4\frac{15}{16}$ "	$\frac{5}{8}$ "
1287	—	5"	$9\frac{15}{16}$ "	2"	$5\frac{15}{32}$ "	$\frac{5}{8}$ "
1288	—	6"	$11\frac{1}{2}$ "	$2\frac{1}{16}$ "	$6\frac{17}{32}$ "	$\frac{5}{8}$ "

\*May be used with EMT of same size.

UL not applicable.

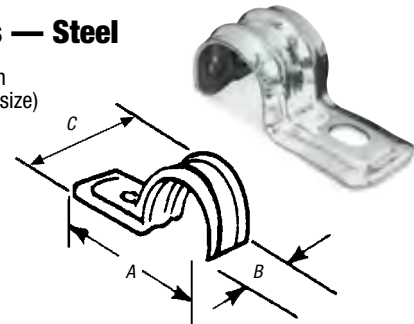
† Not snap-on type.

CSA File No. 2884

Elongated bolt hole makes alignment easy, even when mounting-surface holes are off center!

### Pipe Straps — Steel

- Snap-on design (except for  $\frac{3}{8}$ " size)
- Rugged steel construction



CAT. NO.	CONDUIT SIZE	A	B	C	SCREW SIZE
1210TB†	$\frac{3}{8}$ "	$1\frac{15}{32}$ "	$\frac{3}{4}$ "	$1\frac{1}{16}$ "	$\frac{1}{4}$ "
1211TB	$\frac{1}{2}$ "	2	$\frac{3}{4}$ "	$1\frac{5}{16}$ "	$\frac{1}{4}$ "
1212TB	$\frac{3}{4}$ "	$2\frac{5}{16}$ "	$3\frac{3}{4}$ "	1"	$\frac{1}{4}$ "
1213TB	1"	$3\frac{13}{16}$ "	$\frac{3}{4}$ "	$1\frac{17}{64}$ "	$\frac{1}{4}$ "
1214TB	$1\frac{1}{4}$ "	$2\frac{31}{32}$ "	$1\frac{9}{16}$ "	$1\frac{9}{16}$ "	$\frac{3}{8}$ "
1215TB	$1\frac{1}{2}$ "	$3\frac{3}{32}$ "	$1\frac{1}{16}$ "	$1\frac{13}{16}$ "	$\frac{3}{8}$ "
1216TB	2"	$4\frac{1}{16}$ "	$2\frac{5}{16}$ "	$2\frac{5}{16}$ "	$\frac{3}{8}$ "

† Not snap-on type.

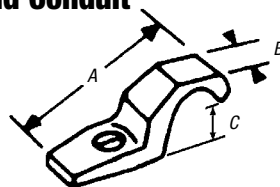
UL not applicable.

CSA File No. 2884

PVC coating offers high corrosion resistance!

### PVC-Coated Straps for Rigid Conduit

- Designed to fit each size of conduit snugly
- High reinforcing ribs on each side increase strength and reduce weight
- Malleable iron construction



CAT. NO.	SIZE	BOLT SIZE	DIMENSIONS (IN.)		
			A	B	C
1275CR	$\frac{3}{8}$ "	$\frac{1}{4}$ "	$1\frac{1}{8}$ "	$1\frac{1}{16}$ "	$\frac{3}{4}$ "
1276CR	$\frac{1}{2}$ "	$\frac{1}{4}$ "	$2\frac{5}{32}$ "	$2\frac{1}{32}$ "	$1\frac{1}{32}$ "
1277CR	$\frac{3}{4}$ "	$\frac{1}{4}$ "	$2\frac{9}{16}$ "	$1\frac{1}{16}$ "	$1\frac{1}{32}$ "
1278CR	1"	$\frac{1}{4}$ "	3	$\frac{3}{4}$ "	$1\frac{17}{32}$ "
1279CR	$1\frac{1}{4}$ "	$\frac{3}{8}$ "	$3\frac{3}{4}$ "	$1\frac{3}{16}$ "	$1\frac{1}{8}$ "
1280CR	$1\frac{1}{2}$ "	$\frac{3}{8}$ "	$4\frac{1}{16}$ "	$1\frac{5}{16}$ "	$2\frac{1}{8}$ "
1281CR	2"	$\frac{1}{2}$ "	$5\frac{1}{16}$ "	$1\frac{1}{8}$ "	$2\frac{17}{64}$ "

UL not applicable.

## Couplings and Accessories

### Conduit Spacers

(For Rigid Metal Conduit, Intermediate Metal Conduit and Electrical Metallic Tubing)



1350



1351-1354

#### Application

- Provides mounting surface for conduit where installation requires air space between conduit and supporting surface

#### Features

- Prevents conduit rusting from wall condensation
- Spacers can be stacked one atop the other, facilitating installation and eliminating expensive conduit offsetting (A)
- Designed to cover wide range; marked with accurate size marking for proper positioning (B)
- Electro-zinc plated finish on 1350 Series
- Copper-free aluminum alloy, 1350AL Series

#### Standard Material

1350 Series.....Malleable Iron  
1350AL Series.....Copper-free aluminum

#### Standard Finish

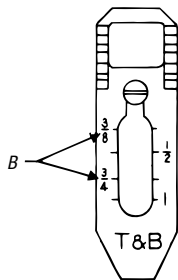
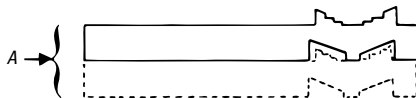
1350 Series.....Electro-zinc plated  
1350AL Series .....As Cast

#### Range

½" through 6" conduit

#### Listings/Compliances

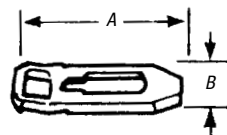
CSA (LR-2884, LR-4484, LR-4484)  
CSA C22.2 No. 18  
NFPA 70



Eliminates the need for costly offset-bending conduit and the possibility of corrosive moisture traps when conduit is mounted directly to a surface!

### Pipe Spacers

- Used with T&B conduit straps to provide space between conduit and mounting surface
- Premountable and stackable to eliminate offsetting
- Malleable iron construction with hot-dipped galvanized finish

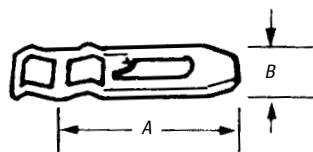


CAT. NO.		SIZE	SCREW SIZE	DIMENSIONS (IN.)	
MAL. IRON	ALUM.			A	B
1350	1350AL	½", ¾", 1"	#7	3	7/8
1351	1351AL	1¼"-1½"-2"	#12	5	1½
1352	1352AL	2½"-3"	#12	9/16	1¼
1353	1353AL	3½"-4"	#14	7/16	2
1354	—	4½"-5"-6"	#16	10/16	2½

Conforms to NEC® Sect. 300-5-c. UL not applicable. CSA File Nos. 2884 and 4484.

Prevents conduit rusting from wall condensation!

### Pipe Spacers — PVC Coated



- Eliminates the need for offset-bending of conduit
- Can be stacked for offsets on wall or into outlet box
- Corrosion-resistant, PVC-coated malleable iron construction

CAT. NO.	CONDUIT SIZE	SCREW SIZE	DIMENSIONS (IN.)	
			A	B
1350CR	½"-¾"-1"	#7	3	7/8
1351CR	1¼"-1½"-2"	#12	5	¾

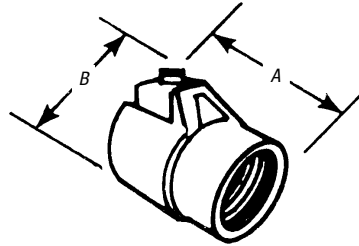
UL not applicable. Conforms to NEC Sect. 300-5-c.

## Couplings and Accessories

One-piece fitting couples armored cable or flexible conduit to threaded rigid conduit!

### TITE-BITE® Combination Couplings — Armored Cable for Threaded Rigid

- Tite-Bite® wedge holds conduit securely with a double grip
- When used with a Chase® nipple, this fitting will connect flexible conduit to outlet boxes, enabling more wiring space in the box than the usual connector
- UL® Listed as a grounding means under NEC® 350-5
- Malleable iron construction



CAT. NO.	SIZE	DIMENSIONS (IN.)	
		A	B
440	1/2"	1 1/8	1 7/32
441	3/4"	1 3/4	2 1/8
442	1"	2	2 17/32

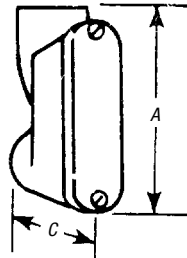
UL File No. E-23018

CSA File No. 2884

Mount flat against wall, eliminating the need to offset conduit!

### Entrance Ells

- Designed for a straight pull in either direction
- Smooth surface
- Make it easy to pull heavy wires without damage to insulation
- Made of copper-free aluminum



CAT. NO.	CONDUIT SIZE	DIMENSIONS (IN.)	
		A	C
1490	1/2"	3	1 19/32
1491	3/4"	3 9/16	1 1/8
1492	1"	4 1/4	2 23/64
1493	1 1/4"	5 3/64	2 9/16
1494	1 1/2"	6 1/4	2 1/8
1495	2"	6 3/4	3 9/16

UL File No. E-23018

CSA File Nos. 2884 and 589

Adjustable design fits a wide range of flange sizes!

### Adjustable Beam Clamps

- Includes bolts
- Steel construction



CAT. NO.	DESCRIPTION
700TB	Fits Flange 2 3/4"–7 3/8"
701	Fits Flange 7"–12"
703	Special Bolt and (3) Nuts

CSA File No. 2884.

Fits any flange, tapered or straight, up to 5/8" thick!

### Conduit Supports

- For use with standard rigid conduit, EMT or IMC
- Broad hook holds conduit at any desired angle
- Malleable iron construction



CAT. NO.	SIZE
690TB	1/2"
691TB	3/4"
692TB	1"
693TB	1 1/4"

CSA File No. 2884

## Conduit Bodies and Covers

### T&B® Conduit Fittings for Ordinary and Hazardous Locations

Thomas & Betts offers a broad range of conduit bodies, conduit boxes, conduit fittings, unions, sealing fittings, drains and cable fittings for both ordinary and hazardous locations. Complete information on applications, features, materials, finishes, size range and certifications is provided in the following pages.

#### Conduit Bodies (for ordinary locations)

For raceway systems to provide pull outlets, 90° bends, splices, taps, mounting outlets, etc.

Form 7 Sand Cast Iron BlueKote®	For neat, compact installation of rigid threaded conduit.
Form 7 Sand Cast Aluminum	For neat, compact installation of aluminum threaded conduit.
Form 8 Sand Cast Iron BlueKote®	For heavier conductors using rigid threaded conduit.
Series 35	For economy installations of rigid threaded conduit.
Stainless Steel	For superior corrosion protection.
Mogul Conduit Fittings	For larger conduits, spacious, accessible wiring chambers.

*NOTE: For information on Red•Dot® Die-Cast Aluminum Conduit Bodies for rigid conduit and EMT applications, see pages E-554–E-599.*

#### Cast Device Boxes (for ordinary locations)

For raceway systems to accommodate wiring devices, serve as pull boxes and provide entrances for taps and splices.

*FS/FD Single- and Double-Gang Cast Device Boxes*

#### Cast Conduit Outlet Boxes (for hazardous locations)

Round cast outlet boxes used with rigid conduit to serve as pull and splice boxes, easy access to wiring, act as a housing for instruments, apparatus, etc.

*GUA Conduit Outlet Bodies*

#### Reducers, Plugs, Unions (for ordinary and hazardous locations)

Includes reducers for connecting conduit of dissimilar dimensions, plugs for unused conduit openings and hubs and unions for threaded conduit systems.

*RE, PLG REC Reducers, Plugs and Adapters, UNY/UNF Unions*

#### Sealing Fittings and Drains (for ordinary and hazardous locations)

Cast fittings used with rigid conduit to seal sections from passage of vapors, flame or gases or explosions. Drains provide ventilation as a breather and as a drain in moist locations.

*EYS/EYD Sealing Fittings & ECD Drains*

#### Cable Fittings (for ordinary and hazardous locations)

For armored, metal clad, jacketed or unjacketed and unarmored cables through a bulkhead or enclosure in ordinary or hazardous areas.



## Conduit Bodies and Covers

### Conduit Outlet Bodies

#### Application

Conduit Bodies are installed in conduit systems to:

- Connect conduit sections
- Act as pull outlets when conductors are being installed
- Provide easy access for splices in branch conductors
- Make 90° bends in conduit runs
- Act as mounting outlets for wiring devices and lighting fixtures
- Provide access to conductors for maintenance and future system changes

#### Features

- Standard features include tapered (NPT) threads and integral bushings to protect wire insulation
- T&B Form 7 bodies and covers are interchangeable with other manufacturers' Form 7 bodies and covers
- T&B Form 8 bodies and covers are interchangeable with other manufacturers' Form 8 bodies and covers
- T&B Form 7 and Form 8 cast iron bodies feature BlueKote® internal coating for easier wire pulling
- T&B Series 35 bodies and covers are interchangeable with other manufacturers' 35/5 Series iron and steel bodies and covers
- Form 7 sand cast aluminum is made with a special aluminum alloy, providing superior corrosion resistance as cast; no protective coatings needed
- Special sand cast aluminum alloy makes these conduit bodies ideal for use in food and beverage, pharmaceutical, chemical processing and other corrosive environments
- All Form 7 and Form 8 covers include gaskets

#### Materials

Form 7, Form 8 and Series 35 Iron Conduit Bodies ..... Sand-cast class 30 gray iron alloy

Stainless Steel Conduit Bodies..... Type 316 stainless steel

Form 7 aluminum ..... Sand-cast CorroStall™ aluminum alloy

Covers..... Sand-cast gray iron alloy and stamped sheet steel with steel-stainless steel screws

Stainless Steel Covers..... Cast and stamped Type 316 stainless steel with stainless steel screws

Gaskets..... Neoprene

Aluminum Covers..... Sand-cast CorroStall™ aluminum alloy or sheet aluminum with stainless steel screws, aluminum clips and stainless steel and Neoprene O-ring washer

#### Finish

Form 7, Form 8 and Series 35 Iron Conduit Bodies ..... Zinc-plating with aluminum acrylic coating

Form 7 and Form 8 Iron Bodies..... Internal PTFE-based BlueKote® coating

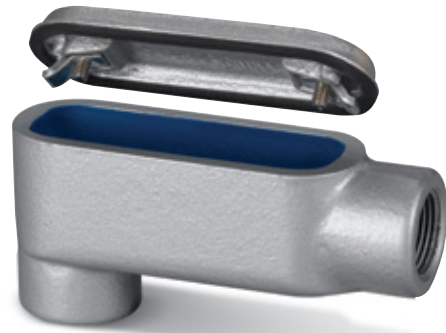
Covers..... Gray iron zinc-plating with aluminum acrylic coating, and stamped steel zinc-plating with clear chromate coating; Form 7 and Form 8 covers include Neoprene gasket

Stainless Steel Bodies and Covers ..... Polished

Aluminum Bodies and Covers ..... As cast

#### Listings/Compliances

UL Standard: 514A, 514B  
 Fed. Spec: W-C-586D  
 CSA Standard: C22.2 No. 18





## Conduit Bodies and Covers



### Conduit Bodies Quick Reference



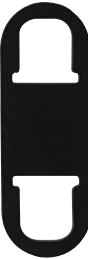
SHAPE	TYPE	HUB SIZE (IN.)										SEE PAGE
		½	¾	1	1¼	1½	2	2½	3	3½	4	
	BlueKote® Form 7	LB17	LB27	LB37	LB47	LB57	LB67	LB77	LB87	LB97	LB107	E-71
	BlueKote® Form 8*	LB18	LB28	LB38	LB448	LB58	LB68	LB78	LB888	LB98	LB108	E-71
	Series 35	LB50M	LB75M-TB	LB100M	LB125M	LB150M	LB200M	LB250M	LB300M	LB350M	LB400M	E-71
	Sand Cast Aluminum Form 7	LB17SA	LB27SA	LB37SA	LB47SA	LB57SA	LB67SA	LB77SA	LB87SA	LB97SA	LB107SA	E-76
	Stainless Steel Form 8	LB18SST	LB28SST	LB38SST	LB48SST	LB58SST	LB68SST	(with covers, gaskets and screws)				E-69
	BlueKote® Form 7	LU17	LU27	LU37	LU47	LU57	LU67	—	—	—	—	E-71
	Stainless Steel Form 8	LU18SST	LU28SST	LU38SST	LU48SST	LU58SST	LU68SST	(with covers, gaskets and screws)				E-69
	Sand Cast Aluminum Form 7	LU17SA	LU27SA	LU37SA	LU47SA	LU57SA	LU67SA	—	—	—	—	E-77
	BlueKote® Form 7	T17	T27	T37	T47	T57	T67	T77	T87	T97	T107	E-71
	BlueKote® Form 8*	T18	T28	T38-TB	T448	T58	T68	T78	T88-TB	—	—	E-71
	Series 35	T50M	T75M	T100M	T125M	T150M	T200M	T250M	T300M	T350M	T400M	E-72
	Sand Cast Aluminum Form 7	T17SA	T27SA	T37SA	T47SA	T57SA	T67SA	T77SA	T87SA	T97SA	T107SA	E-77
	Stainless Steel Form 8	T18SST	T28SST	T38SST	T48SST	T58SST	T68SST	(with covers, gaskets and screws)				E-69
	BlueKote® Form 7	C17	C27	C37	C47	C57	C67	C77-TB	C87	—	—	E-72
	BlueKote® Form 8*	C18	C28	C38	C448	C58-TB	C68	C78	C88	—	—	E-72
	Series 35	C50M	C75M-TB	C100M	C125M	C150M	C200M	C250M-TB	C300M	C350M	C400M	E-72
	Sand Cast Aluminum Form 7	C17SA	C27SA	C37SA	C47SA	C57SA	C67SA	—	—	—	—	E-76
	BlueKote® Form 7	LL17	LL27	LL37	LL47	LL57	LL67	LL77	LL87	LL97	LL107	E-72
	BlueKote® Form 8*	LL18	LL28	LL38	LL448	LL58	LL68	LL78	LL888	—	—	E-73
	Series 35	LL50M	LL75M	LL100M	LL125M	LL150M	LL200M	LL250M	LL300M	LL350M	LL400M	E-73
	Sand Cast Aluminum Form 7	LL17SA	LL27SA	LL37SA	LL47SA	LL57SA	LL67SA	—	—	—	—	E-76
	BlueKote® Form 7	LR17	LR27	LR37	LR47	LR57	LR67	LR77	LR87	LR97	LR107	E-73
	BlueKote® Form 8*	LR18	LR28	LR38	LR448	LR58	LR68	LR78	LR888	—	—	E-73
	Series 35	LR50M	LR75M	LR100M	LR125M	LR150M	LR200M	LR250M	LR300M	LR350M-TB	LR400M	E-73
	Sand Cast Aluminum Form 7	LR17SA	LR27SA	LR37SA	LR47SA	LR57SA	LR67SA	—	—	—	—	E-76
	BlueKote® Form 7	L17-TB	L27-TB	L37-TB	L47-TB	L57-TB	L67-TB	—	—	—	—	E-74
	BlueKote® Form 7	TB17-TB	TB27	TB37	TB47	TB57	TB67	—	—	—	—	E-74
	BlueKote® Form 8*	TB18	TB28	TB38	TB448	TB58	TB68	—	—	—	—	E-74
	Series 35	TB50M	TB75M	TB100M	TB125M	TB150M	TB200M	—	—	—	—	E-75
	Sand Cast Aluminum Form 7	TB17SA	TB27SA	TB37SA	TB47SA	TB57SA	TB67SA	—	—	—	—	E-77
	Stainless Steel Form 8	TB18SST	TB28SST	TB38SST	TB48SST	TB58SST	TB68SST	(with covers, gaskets and screws)				E-69
	BlueKote® Form 7	X17	X27	X37	X47	X57	X67	—	—	—	—	E-75
	BlueKote® Form 8*	X18	X28	X38	X448	X58	X68	—	—	—	—	E-75
	Series 35	X50M	X75M	X100M	X125M	X150M	X200M	—	—	—	—	E-75
	Sand Cast Aluminum Form 7	X17SA	X27SA	X37SA	X47SA	X57SA	X67SA	—	—	—	—	E-77
	BlueKote® Form 7	E17	E27	E37	—	—	—	—	—	—	—	E-75
	BlueKote® Form 7	TA17	TA27	TA37	TA47	TA57	TA67	—	—	—	—	E-74

\* ½" through 1¼" have (2) mounting holes; 1½" through 4" have (4) mounting holes

## Conduit Bodies and Covers

### Replacement Covers and Gaskets

Conduit & Fittings — T&B® Rigid Fittings

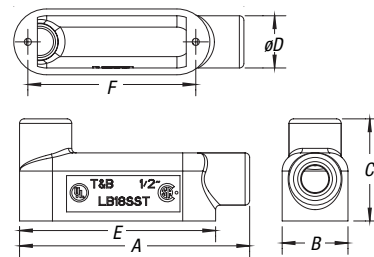
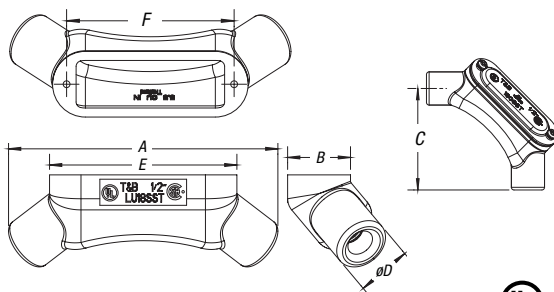
SHAPE	HUB SIZE (IN.)										
	½	¾	1	1¼	1½	2	2½	3	3½	4	
 <p><b>Stamped</b></p>	Form 7 Steel*	170S	270S	370S	470S	570S	670S	870S	870S	970S	970S
	Form 8 Steel*	180	280	380	480	580	680STB	880	880	980	980
	Form 7 Aluminum*	170SA	270SA	370SA	470SA	570SA	670SA	870SA	870SA	970SA	970SA
	Series 35	K50S	K75S	K100S	K125S	K125S	K200S	K250S	K250S	K350S	K350S
	* Form 7 and Form 8 covers include gasket.										
 <p><b>Sand Cast</b></p>	Form 7 Iron*	170F	270F	370F	470F	570F	670F	870F	870F	970F	970F
	Form 8 Iron*	180F	280F	380F	480F	580F	680F	880F	880F	980F	980F
	Form 7 Aluminum*	170FSA	270FSA	370FSA	470FSA	570FSA	670FSA	870FSA	870FSA	970FSA	970FSA
	Series 35	K50M	K75M	K100M	K125M	K125M	K200M	K250M	K250M	K350M	K350M
	* Form 7 and Form 8 covers include gasket.										
 <p><b>Gasket</b></p>	Form 7*	GASK 571	GASK 572	GASK 573	GASK 574	GASK 575	GASK 576	GASK 578	GASK 578	GASK 579	GASK 579
	Form 8*	GASK 581N	GASK 582N	GASK 583N	GASK 584N	GASK 585N	GASK 586N	GASK 588N	GASK 588N	GASK 589N	GASK 589N
	Series 35	GK50N	GK75N	GK100N	GK125-150N	GK125-150N	GK200N	GK250-300N	GK250-300N	GK350-400N	GK350-400N
	* For ordering purposes, please use GASK in the catalog number (Example: GASK 571).										

## Conduit Bodies and Covers

Each conduit outlet body ships complete with gasket, cover and screws.

### Type 316 Stainless Steel Form 8 Conduit Outlet Bodies

**NEW!**



#### LU® Form 8 Conduit Bodies with Covers

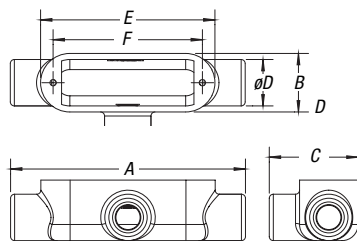


CAT. NO.	HUB SIZE	DIMENSIONS (IN.)						
		A	B	C	D	E	F	CU. IN.
LU18SST	1/2"	6.210	1.450	3.825	1.125	4.320	3.700	5.5
LU28SST	3/4"	6.981	1.645	4.245	1.500	4.921	4.300	8.5
LU38SST	1"	8.261	1.850	5.050	1.700	5.625	5.000	14.5
LU48SST	1 1/4"	9.923	2.200	5.975	2.200	6.730	5.810	26.5
LU58SST	1 1/2"	11.549	2.813	7.000	2.450	7.938	7.125	45.0
LU68SST	2"	13.989	3.820	8.500	2.900	9.797	9.125	116.5

#### LB Form 8 Conduit Bodies with Covers



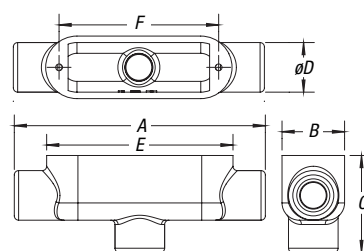
CAT. NO.	HUB SIZE	DIMENSIONS (IN.)						
		A	B	C	D	E	F	CU. IN.
LB18SST	1/2"	5.070	1.450	2.250	1.150	4.320	3.700	5.8
LB28SST	3/4"	5.671	1.645	2.530	1.400	4.921	4.300	8.0
LB38SST	1"	6.563	1.850	2.913	1.750	5.625	5.000	13.0
LB48SST	1 1/4"	7.734	2.200	3.315	2.200	6.730	5.810	23.0
LB58SST	1 1/2"	8.992	2.813	3.800	2.450	7.938	7.125	44.0
LB68SST	2"	11.000	3.820	4.810	2.900	9.797	9.125	88.0



#### T Form 8 Conduit Bodies with Covers



CAT. NO.	HUB SIZE	DIMENSIONS (IN.)						
		A	B	C	D	E	F	CU. IN.
T18SST	1/2"	5.820	1.450	2.200	1.150	4.320	3.700	5.5
T28SST	3/4"	6.420	1.645	2.395	1.400	4.921	4.300	9.0
T38SST	1"	7.500	1.850	2.850	1.750	5.625	5.000	13.5
T48SST	1 1/4"	8.738	2.200	2.950	2.200	6.730	5.810	24.0
T58SST	1 1/2"	10.046	2.813	3.867	2.450	7.938	7.125	45.0
T68SST	2"	12.204	3.820	5.070	2.900	9.797	9.125	88.0



#### TB Form 8 Conduit Bodies with Covers



CAT. NO.	HUB SIZE	DIMENSIONS (IN.)						
		A	B	C	D	E	F	CU. IN.
TB18SST	1/2"	5.820	1.450	2.250	1.150	4.320	3.700	5.5
TB28SST	3/4"	6.420	1.645	2.530	1.400	4.921	4.300	9.0
TB38SST	1"	7.500	1.850	2.975	1.750	5.625	5.000	13.5
TB48SST	1 1/4"	8.484	2.200	3.319	2.200	6.730	5.810	24.0
TB58SST	1 1/2"	10.046	2.813	3.854	2.450	7.938	7.125	45.0
TB68SST	2"	12.129	3.820	4.810	2.900	9.797	9.125	88.0

## Conduit Bodies and Covers

Form 7 body, gasket and cover — one number!

### Pre-Assembled Form 7 BlueKote® Conduit Bodies, Gaskets and Covers



Now you can order a conduit body, gasket and cover, pre-assembled, using one catalog number. T&B's pre-assembled cast conduit bodies help reduce transactions, eliminate the need for additional stocking bins and provide an easy inventory reduction. You'll also have less hassle with managing small parts in the truck or crib. Best of all, you can be absolutely confident that the right parts are in your hands when you need them.

#### T&B® Conduit Bodies and Covers Feature:

- BlueKote internal finish for faster, easier wire pulling
- Epoxy external finish for superior corrosion resistance
- Tapered NPT threads and integral bushings to protect wire insulation
- Bodies are designed with a flat back for more cubic inch capacity. The flat back also keeps the body more stable during installation, requiring fewer conduit straps
- T&B Form 7 bodies and covers are interchangeable with Crouse-Hinds and Appleton's Form 7 bodies and covers

#### Specifications

- Bodies: Class 30 gray iron alloy
- Covers: Stamped steel with stainless steel screws
- Gaskets: Neoprene
- Finish: Conduit Bodies: Zinc-plating with acrylic epoxy coating and internal PTFE-based BlueKote coating
- Covers: Stamped steel zinc-plating with a clear chromate coating
- Compliances: UL Standard: 514A, 514B Fed. Spec: W-C-586D
- CSA Standard: C22.2 No. 18

*Crouse-Hinds is a trademark of Cooper Industries, Inc. Appleton is a trademark of the EGS Electrical Group, a joint venture of Emerson and SPX Corp.*

**Note:** BlueKote is registered for conduit bodies but is not registered for a finish or a coating.

#### T&B® Pre-Assembled Bodies, Gaskets and Covers

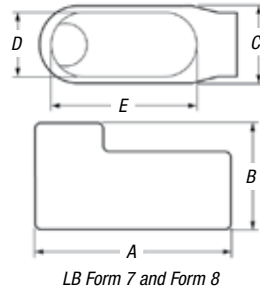


CAT. NO.	TRADE SIZE	PRE-ASSEMBLED PRODUCTS
C17CG-TB	1/2"	C17 Body, Cover & Gasket
C27CG-TB	3/4"	C27 Body, Cover & Gasket
C37CG-TB	1"	C37 Body, Cover & Gasket
C47CG-TB	1 1/4"	C47 Body, Cover & Gasket
C57CG-TB	1 1/2"	C57 Body, Cover & Gasket
C67CG-TB	2"	C67 Body, Cover & Gasket
LB17CG-TB	1/2"	LB17 Body, Cover & Gasket
LB27CG-TB	3/4"	LB27 Body, Cover & Gasket
LB37CG-TB	1"	LB37 Body, Cover & Gasket
LB47CG-TB	1 1/4"	LB47 Body, Cover & Gasket
LB57CG-TB	1 1/2"	LB57 Body, Cover & Gasket
LB67CG-TB	2"	LB67 Body, Cover & Gasket
LL17CG-TB	1/2"	LL17 Body, Cover & Gasket
LL27CG-TB	3/4"	LL27 Body, Cover & Gasket
LL37CG-TB	1"	LL37 Body, Cover & Gasket
LL47CG-TB	1 1/4"	LL47 Body, Cover & Gasket
LL57CG-TB	1 1/2"	LL57 Body, Cover & Gasket
LL67CG-TB	2"	LL67 Body, Cover & Gasket
LR17CG-TB	1/2"	LR17 Body, Cover & Gasket
LR27CG-TB	3/4"	LR27 Body, Cover & Gasket
LR37CG-TB	1"	LR37 Body, Cover & Gasket
LR47CG-TB	1 1/4"	LR47 Body, Cover & Gasket
LR57CG-TB	1 1/2"	LR57 Body, Cover & Gasket
LR67CG-TB	2"	LR67 Body, Cover & Gasket
T17CG-TB	1/2"	T17 Body, Cover & Gasket
T27CG-TB	3/4"	T27 Body, Cover & Gasket
T37CG-TB	1"	T37 Body, Cover & Gasket
T47CG-TB	1 1/4"	T47 Body, Cover & Gasket
T57CG-TB	1 1/2"	T57 Body, Cover & Gasket
T67CG-TB	2"	T67 Body, Cover & Gasket
TB17CG-TB	1/2"	TB17 Body, Cover & Gasket
TB27CG-TB	3/4"	TB27 Body, Cover & Gasket
TB37CG-TB	1"	TB37 Body, Cover & Gasket
TB47CG-TB	1 1/4"	TB47 Body, Cover & Gasket
TB57CG-TB	1 1/2"	TB57 Body, Cover & Gasket
TB67CG-TB	2"	TB67 Body, Cover & Gasket
X17CG-TB	1/2"	X17 Body, Cover & Gasket
X27CG-TB	3/4"	X27 Body, Cover & Gasket
X37CG-TB	1"	X37 Body, Cover & Gasket
X47CG-TB	1 1/4"	X47 Body, Cover & Gasket
X57CG-TB	1 1/2"	X57 Body, Cover & Gasket
X67CG-TB	2"	X67 Body, Cover & Gasket

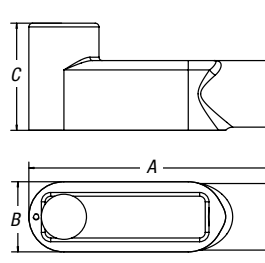
*For aluminum conduit bodies pre-assembled with covers and gaskets, request Red•Dot® D-PAK® Series Conduit Bodies for rigid and IMC conduit.*

## Conduit Bodies and Covers

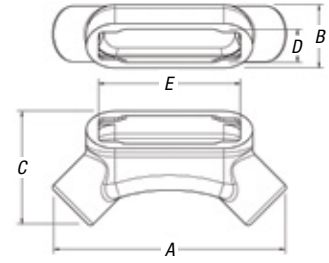
BlueKote internal finish reduces the amount of force necessary to pull wires through T&B Form 7 and Form 8 conduit bodies.



LB Form 7 and Form 8



LB Series 35



LU Form 7

### LB Form 7 BlueKote® Conduit Bodies

CAT. NO.	HUB SIZE	DIMENSIONS (IN.)					CU. IN.
		A	B	C	D	E	
LB17	½"	4.60	2.20	1.35	.95	3.20	4.0
LB27	¾"	5.25	2.40	1.65	1.15	3.80	6.6
LB37	1"	6.00	2.65	1.80	1.35	4.55	10.6
LB47	1¼"	6.45	3.20	2.20	1.80	5.00	18.8
LB57	1½"	7.25	3.90	2.45	2.05	5.45	26.4
LB67	2"	8.30	4.45	3.10	2.45	6.40	51.0
LB77	2½"	10.55	5.20	4.25	3.60	8.40	102.0
LB87	3"	10.55	5.95	4.25	3.60	8.40	132.0
LB97	3½"	12.85	6.70	5.25	4.55	10.25	210.0
LB107	4"	12.85	7.20	5.25	4.55	10.25	243.0

### LB Form 8 BlueKote® Conduit Bodies

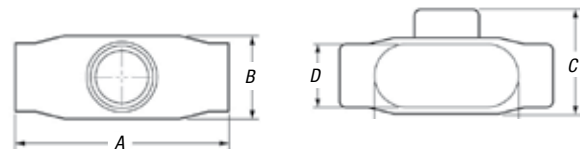
CAT. NO.	HUB SIZE	DIMENSIONS (IN.)					CU. IN.
		A	B	C	D	E	
LB18	½"	4.94	2.22	1.38	1.00	3.31	4.9
LB28	¾"	5.56	2.44	1.56	1.19	3.31	8.0
LB38	1"	6.50	2.81	1.75	1.38	4.56	13.0
LB448	1¼"	7.53	3.34	2.19	1.75	5.31	23.5
LB58	1½"	9.13	4.03	2.75	2.13	6.50	45.0
LB68	2"	11.00	4.41	3.75	3.00	8.56	88.0
LB78	2½"	13.94	6.13	5.00	4.25	10.88	110.0
LB888	3"	13.94	6.50	5.00	4.25	10.88	110.0
LB98	3½"	16.88	7.56	6.25	5.44	13.44	250.0
LB108	4"	16.88	7.81	6.25	5.44	13.44	250.0

### LB Series 35 Conduit Bodies

CAT. NO.	HUB SIZE	DIMENSIONS (IN.)			CU. IN.
		A	B	C	
LB50M	½"	4.68	1.34	2.05	4.5
LB75M-TB	¾"	5.37	1.50	2.25	7.5
LB100M	1"	6.20	1.80	2.65	12.5
LB125M	1¼"	8.12	2.60	2.75	32
LB150M	1½"	8.12	2.60	2.83	35.3
LB200M	2"	10.50	3.12	4.42	73
LB250M	2½"	13.60	4.31	5.40	142
LB300M	3"	13.87	4.31	5.90	173
LB350M	3½"	16.25	5.62	6.90	292
LB400M	4"	16.60	5.62	7.21	324

### LU® Form 7 BlueKote® Conduit Bodies

CAT. NO.	HUB SIZE	DIMENSIONS (IN.)					CU. IN.
		A	B	C	D	E	
LU17	½"	5.54	1.45	2.72	.95	3.20	4.8
LU27	¾"	6.22	1.70	3.07	1.15	3.80	7.6
LU37	1"	7.34	1.97	3.52	1.35	4.55	13.4
LU47	1¼"	8.40	2.47	4.21	1.80	5.00	23.0
LU57	1½"	8.95	2.72	4.44	2.05	5.45	28.3
LU67	2"	10.61	3.43	5.43	2.45	6.40	56.0



T Form 7 and Form 8

### T Form 7 BlueKote® Conduit Bodies

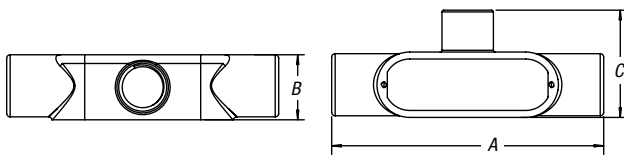
CAT. NO.	HUB SIZE	DIMENSIONS (IN.)					CU. IN.
		A	B	C	D	E	
T17	½"	5.60	1.80	2.35	.95	3.20	6.0
T27	¾"	6.20	2.00	2.60	1.15	3.80	9.1
T37	1"	7.35	2.30	3.10	1.35	4.55	16.9
T47	1¼"	7.30	2.30	3.05	1.80	5.00	19.3
T57	1½"	8.60	2.60	3.80	2.05	5.45	27.5
T67	2"	9.50	3.20	4.25	2.45	6.40	50.0
T77	2½"	12.10	3.65	5.80	3.60	8.40	102.0
T87	3"	12.10	4.40	5.80	3.60	8.40	132.0
T97	3½"	14.65	4.90	7.05	4.55	10.25	210.0
T107	4"	14.65	5.40	7.05	4.55	10.25	243.0

### T Form 8 BlueKote® Conduit Bodies

CAT. NO.	HUB SIZE	DIMENSIONS (IN.)					CU. IN.
		A	B	C	D	E	
T18	½"	5.69	7.75	2.16	1.00	3.31	6.0
T28	¾"	6.28	2.00	2.31	1.19	3.94	9.0
T38-TB	1"	7.31	2.25	2.63	1.38	4.56	15.0
T448	1¼"	8.50	2.63	3.16	1.75	5.31	24.0
T58	1½"	10.38	2.78	4.00	2.13	6.50	46.5
T68	2"	12.25	3.56	5.00	3.00	8.56	88.0
T78	2½"	15.63	4.44	6.69	4.25	10.88	110.0
T88-TB	3"	15.63	4.81	6.69	4.25	10.88	110.0



## Conduit Bodies and Covers

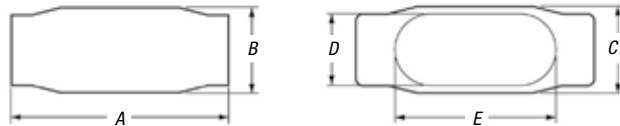


T Series 35

### T Series 35 Conduit Bodies



CAT. NO.	HUB SIZE	DIMENSIONS (IN.)			CU. IN.
		A	B	C	
T50M	½"	5.38	2.05	1.34	6.0
T75M	¾"	6.00	2.25	1.50	9.5
T100M	1"	7.05	2.65	1.80	15
T125M	1¼"	9.00	2.75	2.60	33
T150M	1½"	9.00	3.50	2.60	36
T200M	2"	11.50	4.12	3.12	76
T250M	2½"	15.00	5.71	4.31	142
T300M	3"	15.12	5.87	4.31	173
T350M	3½"	18.13	6.81	5.19	292
T400M	4"	18.13	7.15	5.56	324



C Form 7 and Form 8

### C Form 7 BlueKote® Conduit Bodies

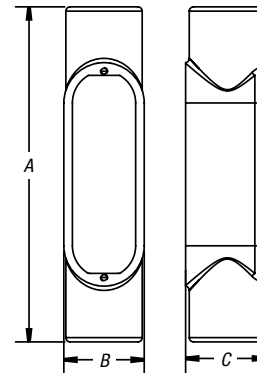


CAT. NO.	HUB SIZE	DIMENSIONS (IN.)					CU. IN.
		A	B	C	D	E	
C17	½"	5.45	1.40	1.45	.95	3.20	4.0
C27	¾"	6.05	1.60	1.65	1.15	3.80	6.6
C37	1"	6.75	1.90	1.80	1.35	4.55	10.6
C47	1¼"	7.30	2.30	2.20	1.80	5.00	18.8
C57	1½"	8.60	2.60	2.45	2.05	5.45	26.4
C67	2"	9.50	3.20	3.05	2.45	6.40	51.0
C77-TB	2½"	12.10	3.65	4.25	3.60	8.40	102.0
C87	3"	12.10	4.40	4.25	3.60	8.40	132.0

### C Form 8 BlueKote® Conduit Bodies



CAT. NO.	HUB SIZE	DIMENSIONS (IN.)					CU. IN.
		A	B	C	D	E	
C18	½"	5.53	1.44	1.38	1.00	3.31	4.9
C28	¾"	6.28	1.53	1.19	1.19	3.94	8.0
C38	1"	7.31	1.94	1.75	1.38	4.56	13.0
C448	1¼"	8.50	2.38	2.19	1.75	5.31	23.5
C58-TB	1½"	10.38	2.78	2.75	2.13	6.50	45.0
C68	2"	12.25	3.56	3.75	3.00	8.56	88.0
C78	2½"	15.63	4.44	5.00	4.25	10.88	110.0
C88	3"	15.63	4.81	5.00	4.25	10.88	110.0

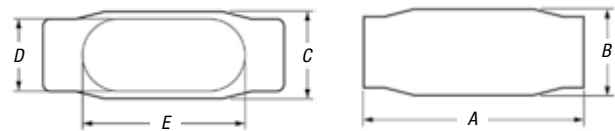


C Series 35

### C Series 35 Conduit Bodies



CAT. NO.	HUB SIZE	DIMENSIONS (IN.)			CU. IN.
		A	B	C	
C50M	½"	5.38	1.34	1.37	4.5
C75M-TB	¾"	6.00	1.50	1.70	7.5
C100M	1"	7.05	1.80	1.90	12.5
C125M	1¼"	9.00	2.60	2.75	35
C150M	1½"	9.00	2.60	2.83	35.3
C200M	2"	11.50	3.12	3.31	75
C250M-TB	2½"	15.00	4.31	3.90	153
C300M	3"	15.12	4.31	4.75	181
C350M	3½"	18.13	4.88	5.19	290
C400M	4"	18.13	4.88	5.56	320



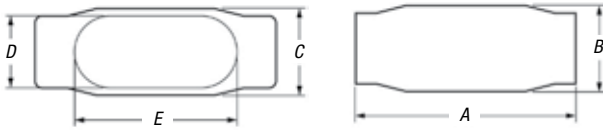
LL Form 7

### LL Form 7 BlueKote® Conduit Bodies



CAT. NO.	HUB SIZE	DIMENSIONS (IN.)					CU. IN.
		A	B	C	D	E	
LL17	½"	4.60	1.40	1.45	.95	3.20	4.0
LL27	¾"	5.25	1.60	1.65	1.15	3.80	6.6
LL37	1"	6.00	1.90	2.60	1.35	4.55	10.6
LL47	1¼"	6.45	2.30	3.05	1.80	5.00	18.6
LL57	1½"	7.90	2.60	3.80	2.05	5.45	26.4
LL67	2"	8.30	3.20	4.25	2.45	6.40	51.0
LL77	2½"	10.55	3.65	5.80	3.60	8.40	102.0
LL87	3"	10.55	4.40	5.80	3.60	8.40	132.0
LL97	3½"	12.85	4.90	7.03	4.55	10.25	210.0
LL107	4"	12.85	5.40	7.03	4.55	10.25	243.0

## Conduit Bodies and Covers

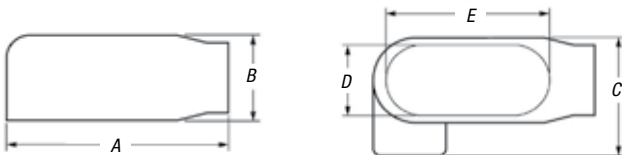


LL Form 8

### LL Form 8 BlueKote® Conduit Bodies



CAT. NO.	HUB SIZE	DIMENSIONS (IN.)					CU. IN.
		A	B	C	D	E	
LL18	1/2"	4.94	1.44	2.13	1.00	3.31	4.9
LL28	3/4"	5.56	1.69	2.31	1.19	3.94	8.0
LL38	1"	6.47	1.94	2.63	1.38	4.56	13.0
LL448	1 1/4"	7.53	2.38	3.16	1.75	5.31	23.5
LL58	1 1/2"	9.13	2.78	4.00	2.13	6.50	45.0
LL68	2"	11.00	3.56	5.00	3.00	8.56	88.0
LL78	2 1/2"	13.94	4.44	6.69	4.25	10.88	110.0
LL888	3"	13.94	4.81	6.69	4.25	10.88	110.0



LR Form 7 and Form 8

### LR Form 7 BlueKote® Conduit Bodies

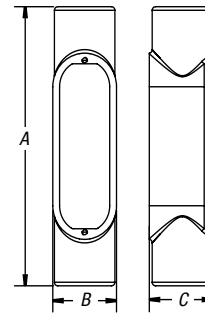


CAT. NO.	HUB SIZE	DIMENSIONS (IN.)					CU. IN.
		A	B	C	D	E	
LR17	1/2"	4.60	1.40	1.45	.95	3.20	4.0
LR27	3/4"	5.25	1.60	1.65	1.15	3.80	6.6
LR37	1"	6.00	1.90	2.60	1.35	4.55	10.6
LR47	1 1/4"	6.45	2.30	3.05	1.80	5.00	18.8
LR57	1 1/2"	7.90	2.60	3.80	2.05	5.45	26.4
LR67	2"	8.30	3.20	4.25	2.45	6.40	51.0
LR77	2 1/2"	10.55	3.65	5.80	3.60	8.40	102.0
LR87	3"	10.55	4.40	5.80	3.60	8.40	132.0
LR97	3 1/2"	12.85	4.90	7.03	4.55	10.25	210.0
LR107	4"	12.85	5.40	7.03	4.55	10.25	243.0

### LR Form 8 BlueKote® Conduit Bodies



CAT. NO.	HUB SIZE	DIMENSIONS (IN.)					CU. IN.
		A	B	C	D	E	
LR18	1/2"	4.94	1.44	2.16	1.00	3.31	4.4
LR28	3/4"	5.56	1.69	2.31	1.19	3.94	8.0
LR38	1"	6.47	1.94	2.63	1.38	4.56	13.0
LR448	1 1/4"	7.53	2.38	3.16	1.75	5.31	23.6
LR58	1 1/2"	9.13	2.78	4.00	2.13	6.50	45.0
LR68	2"	11.00	3.56	5.00	3.00	8.56	88.0
LR78	2 1/2"	13.94	4.44	6.69	4.25	10.88	110.0
LR888	3"	13.94	4.81	6.69	4.25	10.88	110.0

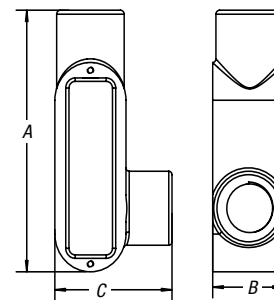


LL Series 35

### LL Series 35 Conduit Bodies



CAT. NO.	HUB SIZE	DIMENSIONS (IN.)			CU. IN.
		A	B	C	
LL50M	1/2"	4.68	2.05	1.37	4.5
LL75M	3/4"	5.37	2.25	1.70	7.5
LL100M	1"	6.20	2.65	1.90	12.5
LL125M	1 1/4"	8.12	2.75	2.75	32
LL150M	1 1/2"	8.12	3.50	2.83	33
LL200M	2"	10.50	4.12	3.31	68
LL250M	2 1/2"	13.60	5.71	3.90	142
LL300M	3"	13.87	5.87	4.75	173
LL350M	3 1/2"	16.50	7.13	6.81	292
LL400M	4"	16.50	7.13	7.19	324



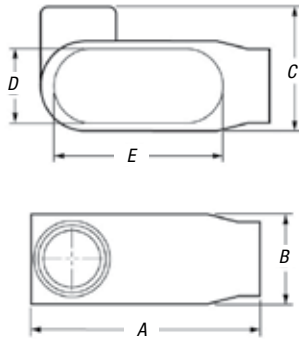
LR Series 35

### LR Series 35 Conduit Bodies

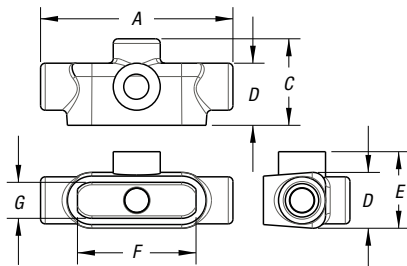


CAT. NO.	HUB SIZE	DIMENSIONS (IN.)			CU. IN.
		A	B	C	
LR50M	1/2"	4.68	2.05	1.37	4.5
LR75M	3/4"	5.37	2.25	1.70	7.5
LR100M	1"	6.20	2.65	1.90	12.5
LR125M	1 1/4"	8.12	2.75	2.75	32
LR150M	1 1/2"	8.12	3.50	2.83	35.3
LR200M	2"	10.50	4.12	3.31	68
LR250M	2 1/2"	13.60	5.71	3.90	142
LR300M	3"	13.87	5.87	4.75	173
LR350M-TB	3 1/2"	16.25	6.10	5.62	292
LR400M	4"	16.25	6.95	5.62	324

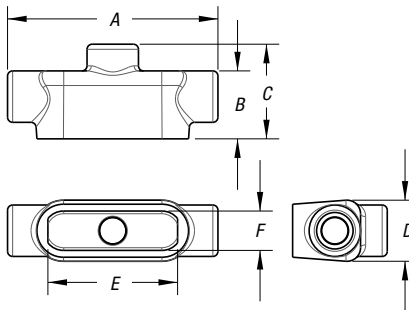
## Conduit Bodies and Covers



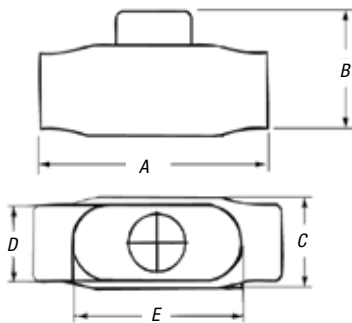
L Form 7



TA Form 7



TB Form 7



TB Form 8



### L Form 7 BlueKote® Conduit Bodies

CAT. NO.	HUB SIZE	DIMENSIONS (IN.)				
		A	B	C	D	E
L17-TB	½"	4.60	1.40	1.45	.95	3.20
L27-TB	¾"	5.25	1.60	1.65	1.15	3.80
L37-TB	1"	6.00	1.90	2.60	1.35	4.55
L47-TB	1¼"	6.45	2.30	3.05	1.80	5.00
L57-TB	1½"	7.90	2.60	3.80	2.05	5.45
L67-TB	2"	8.30	3.20	4.25	2.45	6.40



### TA Form 7 BlueKote® Conduit Bodies

CAT. NO.	HUB SIZE	DIMENSIONS (IN.)						
		A	B	C	D	E	F	G
TA17	½"	5.57	1.80	2.57	1.62	2.34	3.19	.94
TA27	¾"	6.19	2.00	2.79	1.80	2.58	3.82	1.13
TA37	1"	7.35	2.23	3.07	2.29	3.10	4.55	1.35
TA47	1¼"	7.30	2.32	3.18	2.20	3.06	5.03	1.80
TA57	1½"	8.57	2.58	3.89	2.45	3.77	5.44	2.05
TA67	2"	9.48	3.20	4.43	3.06	4.26	6.41	2.44



### TB Form 7 BlueKote® Conduit Bodies

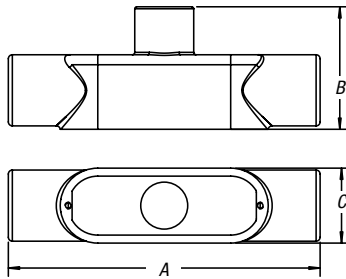
CAT. NO.	HUB SIZE	DIMENSIONS (IN.)					
		A	B	C	D	E	F
TB17-TB	½"	5.57	1.77	2.57	1.62	3.19	.94
TB27	¾"	6.19	2.00	2.79	1.80	3.82	1.13
TB37	1"	7.35	2.28	3.07	2.29	4.63	1.35
TB47	1¼"	7.30	2.32	3.18	2.20	5.03	1.80
TB57	1½"	8.57	2.58	3.89	2.45	5.44	2.05
TB67	2"	9.48	3.20	4.43	3.06	6.41	2.44



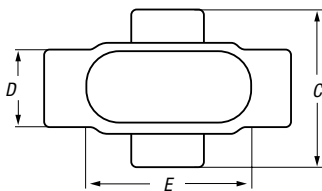
### TB Form 8 BlueKote® Conduit Bodies

CAT. NO.	HUB SIZE	DIMENSIONS (IN.)					CU. IN.
		A	B	C	D	E	
TB18	½"	5.69	2.63	1.38	1.00	3.31	6.0
TB28	¾"	6.28	2.88	1.19	1.19	3.94	9.0
TB38	1"	7.31	3.25	1.75	1.38	4.56	15.0
TB448	1¼"	8.50	3.31	2.19	1.75	5.31	24.0
TB58	1½"	10.38	3.69	2.75	2.13	6.50	46.5
TB68	2"	12.25	4.25	3.75	3.00	8.56	88.0

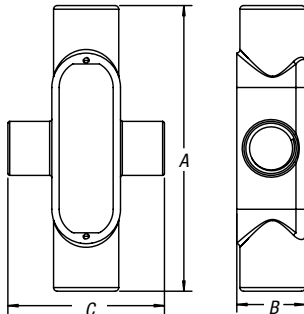
## Conduit Bodies and Covers



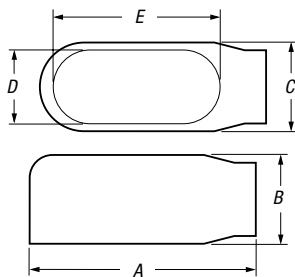
TB Series 35



X Form 7 and Form 8



X Series 35



E Form 7

### TB Series 35 Conduit Bodies



CAT. NO.	HUB SIZE	DIMENSIONS (IN.)			CU. IN.
		A	B	C	
TB50M	1/2"	5.38	1.34	2.05	6
TB75M	3/4"	6.00	1.50	2.25	9.5
TB100M	1"	7.05	1.80	2.65	15
TB125M	1 1/4"	9.00	2.60	2.75	33
TB150M	1 1/2"	9.00	2.60	2.83	36
TB200M	2"	11.50	3.12	4.42	76

### X Form 7 BlueKote® Conduit Bodies



CAT. NO.	HUB SIZE	DIMENSIONS (IN.)					CU. IN.
		A	B	C	D	E	
X17	1/2"	5.60	1.80	3.05	.95	3.20	6.0
X27	3/4"	6.20	2.00	3.30	1.15	3.80	9.1
X37	1"	7.35	2.30	3.80	1.35	4.55	16.9
X47	1 1/4"	7.30	2.30	3.85	1.80	5.00	19.3
X57	1 1/2"	8.60	2.60	5.05	2.05	5.45	27.5
X67	2"	9.50	3.20	5.45	2.45	6.40	52.8

### X Form 8 BlueKote® Conduit Bodies



CAT. NO.	HUB SIZE	DIMENSIONS (IN.)					CU. IN.
		A	B	C	D	E	
X18	1/2"	5.69	1.75	2.91	1.00	3.31	6.0
X28	3/4"	6.28	2.00	3.06	1.38	3.94	9.0
X38	1"	7.31	2.25	3.50	1.38	4.56	15.0
X448	1 1/4"	8.50	2.63	4.13	1.75	5.31	24.0
X58	1 1/2"	10.38	2.47	5.25	2.13	6.50	46.5
X68	2"	12.25	3.56	6.25	3.00	8.56	88.0

### X Series 35 Conduit Bodies



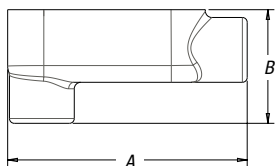
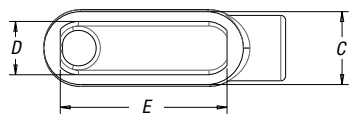
CAT. NO.	HUB SIZE	DIMENSIONS (IN.)			CU. IN.
		A	B	C	
X50M	1/2"	5.41	2.79	1.75	36.0
X75M	3/4"	6.08	2.93	1.97	76.0
X100M	1"	7.1	3.56	2.25	6.0
X125M	1 1/4"	9.1	4.43	2.55	9.5
X150M	1 1/2"	9.1	4.43	2.75	15.0
X200M	2"	11.75	5.4	3.45	33.0

### E Form 7 BlueKote® Conduit Bodies

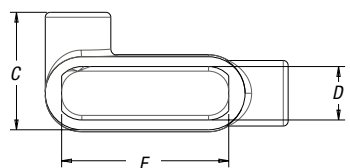
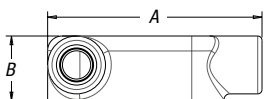


CAT. NO.	HUB SIZE	DIMENSIONS (IN.)					CU. IN.
		A	B	C	D	E	
E17	1/2"	4.60	1.40	1.45	.95	3.20	6.0
E27	3/4"	5.25	1.60	1.65	1.15	3.80	9.1
E37	1"	6.00	1.90	1.80	1.35	4.55	16.9

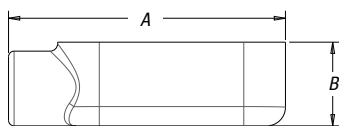
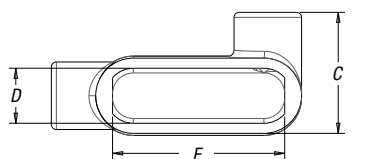
## Conduit Bodies and Covers



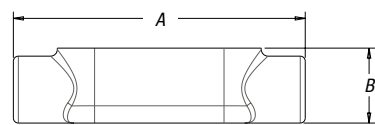
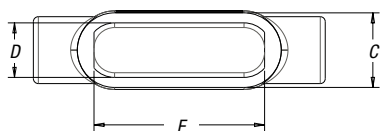
LB Sand Cast Aluminum Form 7



LL Sand Cast Aluminum Form 7



LR Sand Cast Aluminum Form 7



C Sand Cast Aluminum Form 7

### LB Sand Cast Aluminum Form 7 Conduit Bodies



CAT. NO.	HUB SIZE	DIMENSIONS (IN.)					CU. IN.	STD. PKG. QTY.
		A	B	C	D	E		
LB17SA	½"	4.63	2.19	1.41	1.03	3.19	4.2	25
LB27SA	¾"	5.25	2.47	1.59	1.22	3.81	6.8	20
LB37SA	1"	6.22	2.88	1.75	1.38	4.56	11.0	10
LB47SA	1¼"	6.59	3.34	2.19	1.81	5.03	19.5	20
LB57SA	1½"	6.97	3.59	2.44	2.06	5.44	25.6	10
LB67SA	2"	8.13	4.25	3.06	2.44	6.41	51.2	10
LB77SA	2½"	10.56	5.19	4.25	3.63	8.38	100.4	1
LB87SA	3"	10.66	6.03	4.25	3.63	8.38	126.2	1
LB97SA	3½"	11.06	6.69	5.25	4.44	10.25	219.0	1
LB107SA	4"	12.81	7.72	5.25	4.44	10.25	247.1	1

### LL Sand Cast Aluminum Form 7 Conduit Bodies



CAT. NO.	HUB SIZE	DIMENSIONS (IN.)					CU. IN.	STD. PKG. QTY.
		A	B	C	D	E		
LL17SA	½"	4.38	1.41	2.25	1.03	3.19	4.5	25
LL27SA	¾"	5.31	1.63	2.44	1.19	3.81	7.2	20
LL37SA	1"	6.22	1.88	2.78	1.38	4.56	11.5	25
LL47SA	1¼"	6.63	2.31	3.22	1.81	5.03	20.0	20
LL57SA	1½"	6.97	2.56	3.47	2.06	5.44	28.0	10
LL67SA	2"	8.13	3.19	4.13	2.44	6.25	54.2	10

### LR Sand Cast Aluminum Form 7 Conduit Bodies



CAT. NO.	HUB SIZE	DIMENSIONS (IN.)					CU. IN.	STD. PKG. QTY.
		A	B	C	D	E		
LR17SA	½"	4.38	1.41	2.25	1.03	3.19	4.5	25
LR27SA	¾"	5.31	1.63	2.44	1.19	3.81	7.5	20
LR37SA	1"	6.22	1.88	2.78	1.38	4.56	11.2	25
LR47SA	1¼"	6.63	2.31	3.22	1.81	5.03	20.3	20
LR57SA	1½"	6.97	2.56	3.47	2.06	5.44	27.8	20
LR67SA	2"	8.13	3.19	4.13	2.44	6.25	54.0	10

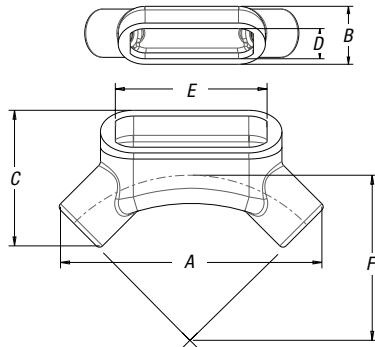
### C Sand Cast Aluminum Form 7 Conduit Bodies



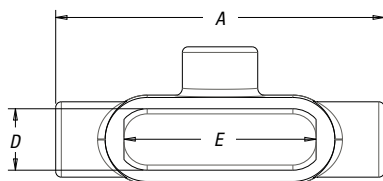
CAT. NO.	HUB SIZE	DIMENSIONS (IN.)					CU. IN.	STD. PKG. QTY.
		A	B	C	D	E		
C17SA	½"	5.44	1.41	1.41	1.00	3.19	4.8	25
C27SA	¾"	6.16	1.63	1.59	1.22	3.81	7.5	25
C37SA	1"	7.22	1.88	1.75	1.38	4.56	11.8	20
C47SA	1¼"	7.63	2.31	2.19	1.91	5.03	19.8	20
C57SA	1½"	8.00	2.56	2.44	2.06	5.44	27.8	10
C67SA	2"	9.16	3.22	3.06	2.44	6.25	53.2	10



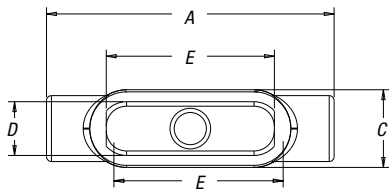
## Conduit Bodies and Covers



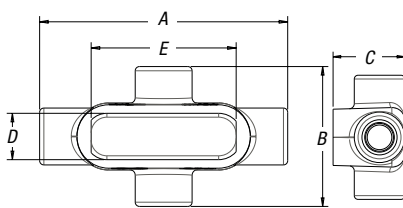
LU Sand Cast Aluminum Form 7



T Sand Cast Aluminum Form 7



TB Sand Cast Aluminum Form 7



X Sand Cast Aluminum Form 7



### LU Sand Cast Aluminum Form 7 Conduit Bodies



CAT. NO.	HUB SIZE	DIMENSIONS (IN.)						CU. IN.	STD. PKG. QTY.
		A	B	C	D	E	F		
LU17SA	½"	5.53	1.50	2.88	1.03	3.19	3.31	5.1	25
LU27SA	¾"	6.28	1.72	3.22	1.22	3.81	3.75	8.7	20
LU37SA	1"	7.34	1.97	3.78	1.38	4.56	4.41	13.4	10
LU47SA	1¼"	8.38	2.47	4.34	1.81	5.03	4.91	23.8	20
LU57SA	1½"	8.97	2.72	4.53	2.06	5.44	5.19	29.6	10
LU67SA	2"	10.78	3.44	5.41	2.44	6.25	6.25	59.4	10

### T Sand Cast Aluminum Form 7 Conduit Bodies



CAT. NO.	HUB SIZE	DIMENSIONS (IN.)					CU. IN.	STD. PKG. QTY.
		A	B	C	D	E		
T17SA	½"	5.44	1.78	2.28	1.03	3.19	5.5	20
T27SA	¾"	6.16	2.00	2.59	1.22	3.81	9.1	10
T37SA	1"	7.22	2.28	3.22	1.38	4.56	15.5	10
T47SA	1¼"	7.63	2.31	3.22	1.81	5.03	20.1	20
T57SA	1½"	8.00	2.56	3.47	2.06	5.44	27.1	10
T67SA	2"	9.16	3.19	4.09	2.44	6.41	51.0	10
T77SA	2½"	12.13	3.63	5.81	3.63	8.38	104.6	1
T87SA	3"	12.28	4.41	5.91	3.63	8.38	135.2	1
T97SA	3½"	14.44	4.91	6.94	4.44	10.25	230.0	1
T107SA	4"	14.50	5.41	6.97	4.44	10.25	260.3	1

### TB Sand Cast Aluminum Form 7 Conduit Bodies



CAT. NO.	HUB SIZE	DIMENSIONS (IN.)					CU. IN.	STD. PKG. QTY.
		A	B	C	D	E		
TB17SA	½"	5.44	2.59	1.50	1.03	3.19	5.6	5
TB27SA	¾"	6.16	2.84	1.66	1.19	3.81	9.0	5
TB37SA	1"	7.22	3.28	1.78	1.38	4.56	13.1	2
TB47SA	1¼"	7.63	3.34	2.19	1.81	5.03	19.3	2
TB57SA	1½"	8.00	3.59	2.44	2.06	5.44	25.0	2
TB67SA	2"	9.16	4.25	3.06	2.44	6.41	51.6	2

### X Sand Cast Aluminum Form 7 Conduit Bodies



CAT. NO.	HUB SIZE	DIMENSIONS (IN.)					CU. IN.	STD. PKG. QTY.
		A	B	C	D	E		
X17SA	½"	5.44	3.06	1.78	1.03	3.19	5.8	10
X27SA	¾"	6.16	3.44	2.00	1.22	3.81	10.3	10
X37SA	1"	7.22	4.22	2.28	1.38	4.56	16.4	5
X47SA	1¼"	7.63	4.25	2.31	1.81	5.03	21.3	5
X57SA	1½"	8.00	4.50	2.56	2.06	5.44	28.6	5
X67SA	2"	9.16	5.16	3.19	2.44	6.41	53.5	5

## Conduit Bodies and Covers

### Mogul Conduit Outlet Bodies



#### Application

- Act as pull outlets for conductors that are stiff, due to large size or type of insulation
- Provide the longer openings needed when pulling large conductors
- Prevent sharp bends and kinks in large conductors (protects insulation during installation)
- Provide ample openings for splices and taps
- Provide access to wiring for maintenance and future system changes

#### Features

- Long openings
- Provision for easy bends
- Tapered tapped hubs with integral bushings
- Stainless Steel cover screws
- Covers and gaskets included

#### Standard Materials

Class 30 Gray iron alloy

#### Standard Finishes

Electrogalvanized and aluminum acrylic paint

#### Listings/Compliances

UL Standard: 514B

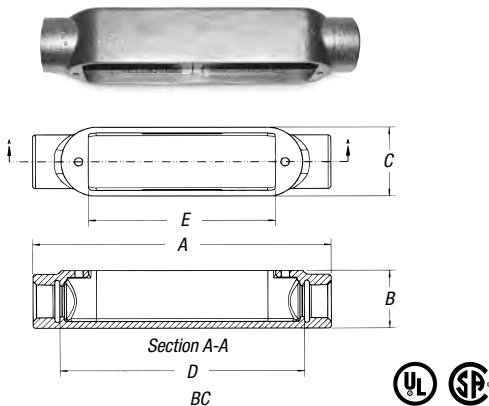
Fed. Spec.: W-C-586D

CSA Standard: C22.2 No.18

UL listed for wet locations

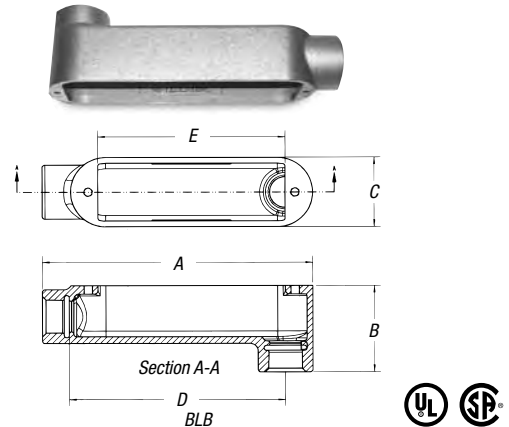
*Note: See NEC® 370-28 (a) (1) and (2) for pull length and bending space requirements applicable to BC, BLB and BUB Series Moguls.*

#### BC Mogul Series (Cover and Gasket Included)



CAT. NO.	HUB SIZE	DIMENSIONS (IN.)					CU. IN.
		A	B	C	D	E	
BC3-TB	1"	9.56	1.88	2.25	7.84	6	20.0
BC4-TB	1½"	9.56	2.31	2.25	7.84	6	25.0
BC5-TB	1½"	13.75	2.56	3	11.45	10	60.0
BC6-TB	2"	13.75	3.31	3	11.45	10	78.0
BC7-TB	2½"	18.38	3.63	4.25	15.61	15	180.0
BC8-TB	3"	18.38	4.38	4.25	15.82	15	225.0
BC10-TB	4"	23.75	5.38	5.25	20.50	20	460.0

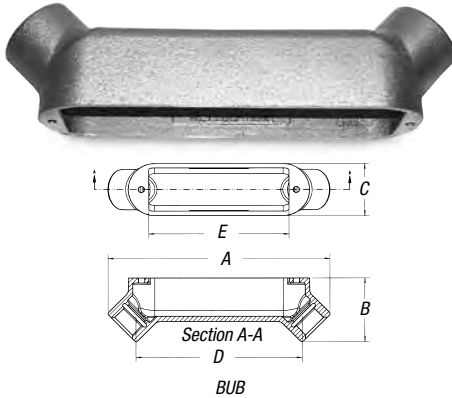
#### BLB Mogul Series (Cover and Gasket Included)



CAT. NO.	HUB SIZE	DIMENSIONS (IN.)					CU. IN.
		A	B	C	D	E	
BLB3-TB	1"	8.66	2.80	2.25	6.92	6	20.0
BLB4-TB	1½"	8.66	2.70	2.25	6.70	6	25.0
BLB5-TB	1½"	12.58	2.56	3	10.36	10	62.0
BLB6-TB	2"	12.58	4.16	3	10.13	10	78.0
BLB7-TB	2½"	16.94	5.10	4.25	13.89	15	170.0
BLB8-TB	3"	16.94	5.81	4.25	13.59	15	210.0
BLB9-TB	3½"	22.16	6.50	5.25	18.32	20	410.0
BLB10-TB	4"	22.16	7.00	5.25	18.06	20	460.0

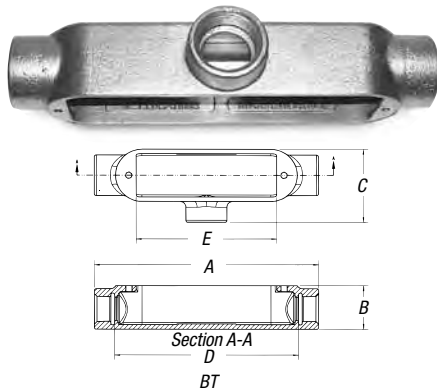
## Conduit Bodies and Covers

### BUB Mogul Series (Cover and Gasket Included)



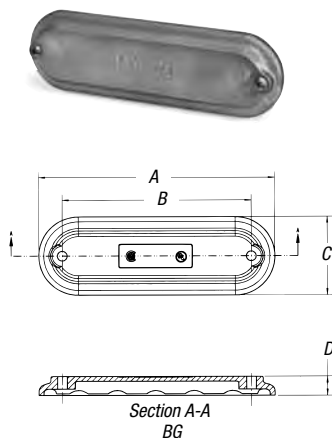
CAT. NO.	HUB SIZE	DIMENSIONS (IN.)					CU. IN.
		A	B	C	D	E	
BUB3-TB	1"	9.49	2.75	2.25	7.01	6	20.0
BUB4-TB	1½"	9.55	3.21	2.25	6.71	6	25.0
BUB5-TB	1½"	16.68	6.67	3	10.47	10	62.0
BUB6-TB	2"	13.68	4.28	3	10.20	10	78.0
BUB7-TB	2½"	18.30	5.03	4.25	13.97	15	170.0
BUB8-TB	3"	18.30	5.67	4.25	13.50	15	210.0
BUB9-TB	3½"	23.74	6.72	5.25	18.07	20	385.0
BUB10-TB	4"	23.74	7.22	5.25	17.73	20	430.0

### BT Mogul Series (Cover and Gasket Included)



CAT. NO.	HUB SIZE	DIMENSIONS (IN.)					CU. IN.
		A	B	C	D	E	
BT3-TB	1"	9.56	1.88	3.16	7.84	6	20.0
BT5-TB	1½"	13.75	2.56	4.06	11.45	10	62.0
BT6-TB	2"	13.75	3.31	4.06	11.45	10	78.0
BT7-TB	2½"	18.38	3.63	5.59	15.61	15	180.0
BT8-TB	3"	18.38	4.38	5.72	15.82	15	225.0
BT9-TB	3½"	23.75	4.88	6.88	20.50	20	410.0
BT10-TB	4"	23.75	5.38	6.88	20.50	20	460.0

### BG Mogul Series Replacement Covers



CAT. NO.	HUB SIZE	DIMENSIONS (IN.)				
		A	B	C	D	E
BG48-TB	1"-1¼"	8.27	6.62	2.77	.67	—
BG68-TB	1½"-2"	12	10.62	3.60	.82	—
BG88-TB	2½"-3"	16.22	12.44	4.97	.85	2.75
BG98-TB	3½"-4"	21.21	16.63	5.96	.87	3.75

## Conduit Bodies and Covers

### Aluminum Mogul Conduit Outlet Bodies

#### Application

- Raintight junction for bringing electrical service into a location
- Spacious, accessible wiring chamber provides a convenient location to pull conductors and make splices

#### Features

- Copper-free\* aluminum provides increased corrosion resistance
- Precision cast and machined surfaces permit safer wire pulling
- Clean cover edges provide good gasket sealing
- Precision NPT threaded hubs enable trouble-free field installation for rigid and IMC conduit
- Deep slotted stainless steel cover screws for faster installation
- Clear UL, CSA and cubic content markings speed approval by inspectors
- Dome-style cover permits easy wire pulling
- Meets NEC® Article 314.28, 6-1 ratio
- Meets NEMA 3R standards

#### Standard Materials

- Mogul Pulling Elbows: Die cast aluminum alloy A360 with less than .004 copper content (copper-free). Stainless steel screws
- Gaskets: Composition

#### Standard Finish

- Aluminum lacquer finish

#### Listings/Compliances

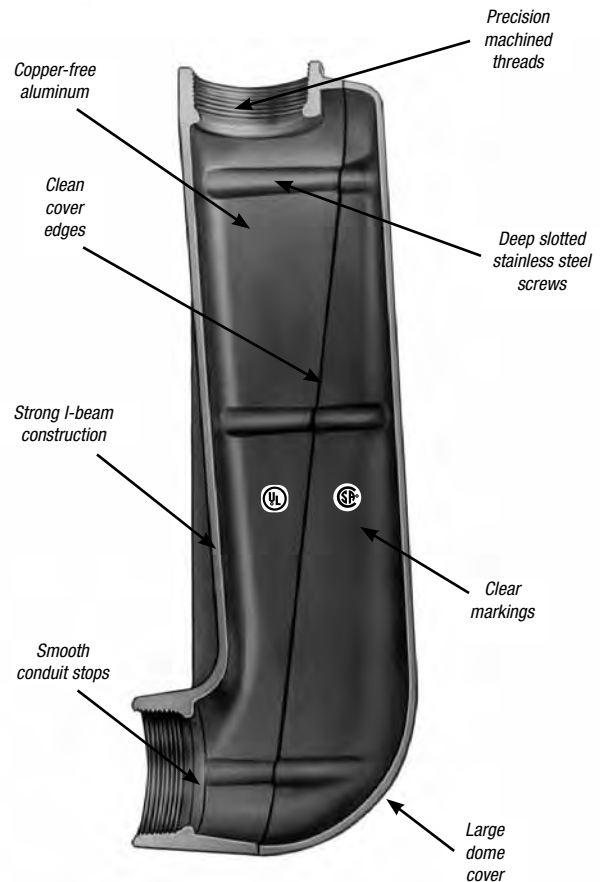
- UL Listed
- CSA Certified
- Federal Spec. W-C-586
- NEC® Article 314.28

#### Sample Specifications

- Mogul Pulling Elbows shall be die cast copper-free\* aluminum alloy A360. All conduit stops shall be coined and free of rough edges. Mogul Pulling Elbows shall be finished with aluminum lacquer

Mogul Pulling Elbows shall be Red•Dot® Catalog No. \_\_\_\_\_

\*Less than .004 copper content



## Conduit Bodies and Covers



MALB-3 through -6



MALB-7 through -10



### Aluminum Mogul Conduit Outlet Bodies with Covers and Gaskets

CAT. NO.	HUB SIZE	UNIT QTY.	STD. PKG.	WT. LBS. PER 100
MALB-3	1"	1	10	174
MALB-4	1¼"	2	10	160
MALB-5	1½"	1	1	400
MALB-6	2"	1	1	375
MALB-7	2½"	1	1	1100
MALB-8	3"	1	1	1060
MALB-9	3½"	1	1	1900
MALB-10	4"	1	1	1800

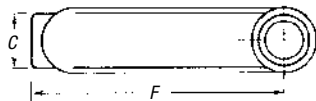
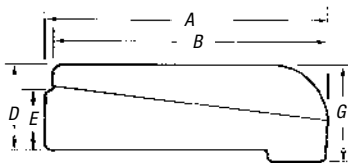


MGKV-4 through -7



### Replacement Covers and Gaskets

COVER CAT. NO.	GASKET CAT. NO.	HUB SIZE	UNIT QTY.	STD. PKG.	WT. LBS. PER 100
—	MGKV-5	1¼"	1	5	4
MALB-56CV	MGKV-5	1½" to 2"	1	5	4
MALB-78CV	MGKV-6	2½" to 3"	1	5	5
MALB-90CV	MGKV-7	3½" to 4"	1	5	5



MALB

### MALB Dimensions

SIZE	DIMENSIONS (IN.)							CU. IN.
	A	B	C	D	E	F	G	
1"	9.63	9.06	2.50	2.75	2.06	8.50	3.63	40.0
1¼"	9.63	9.06	2.50	2.75	2.06	8.50	3.63	40.0
1½"	14.53	14.25	2.75	4.00	2.81	13.00	5.22	128.0
2"	14.53	14.25	2.75	4.00	2.81	13.00	5.22	128.0
2½"	21.69	21.41	4.50	5.63	4.38	18.00	7.72	398.0
3"	21.69	21.41	4.50	5.63	4.38	18.00	7.72	398.0
3½"	28.63	28.69	5.50	6.50	5.38	24.00	9.72	766.7
4"	28.63	28.69	5.50	6.50	5.38	24.00	9.72	766.7



## Device Boxes and Covers

### Cast Device Boxes

#### Application

- Accommodate wiring devices
- Act as pull boxes for conductors in a threaded rigid conduit system, including an internal ground screw
- Provide openings to make splices and taps in conductors
- Provide access to conductors for maintenance and future system changes
- Connect conduit sections

#### Features

- All hubs have NPT Threads with a minimum of five full threads and integral bushing. Internal grounding screw standard on boxes
- Suitable for wet locations when used with gasketed covers
- Available in shallow (FS) or deep (FD) boxes. Use FD if device to be enclosed exceeds 1 $\frac{5}{8}$ " in depth
- Use blank bodies where special arrangements of conduit hubs or entrances are required
- All cover holes are #6-32
- Mounting lugs are standard on all FS and FD boxes

#### Size Range

Hubs: ½" to 1" NPT

#### Materials

Boxes: Class 30 gray iron alloy

Covers: Sand cast aluminum alloy and sheet steel

Gaskets: Neoprene

#### Finish

Zinc-plated with aluminum acrylic paint

#### Listings/Compliances

UL 514A (wet locations when used with gasketed covers)

CSA C22.2 No.18



Dead-End



Dead-End



Thru-Feed

## Device Boxes and Covers

### Single-Gang Cast Device Boxes

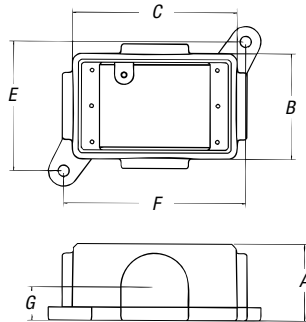


Fig. A Dead-End

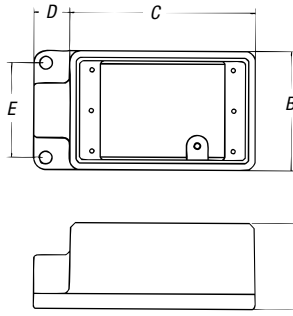


Fig. B Dead-End

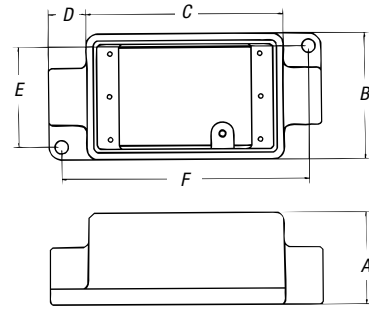


Fig. C Thru-Feed



#### Shallow Single-Gang Cast Device Boxes

CAT. NO.	FIG.	HUB SIZE	DIMENSIONS (IN.)							THROAT DIA.	
			A	B	C	D	E	F	G	MIN.	MAX.
<i>Dead-End</i>											
FS019-TB	A	Blank	2.00	2.75	4.28	—	3.38	4.72	.88	N/A	N/A
FS1-TB	B	½"	2.00	2.75	4.28	.88	2.19	—	—	.570	.610
FS2-TB	B	¾"	2.00	2.75	4.28	.88	2.19	—	—	.755	.810
FS3-TB	B	1"	2.00	2.75	4.28	.88	2.19	—	—	.935	1.035
<i>Thru-Feed</i>											
FSC1-TB	C	½"	2.00	2.75	4.28	.88	2.19	5.38	—	.570	.610
FSC2-TB	C	¾"	2.00	2.75	4.28	.88	2.19	5.38	—	.755	.810
FSC3-TB	C	1"	2.00	2.75	4.28	.88	2.19	5.38	—	.935	1.035

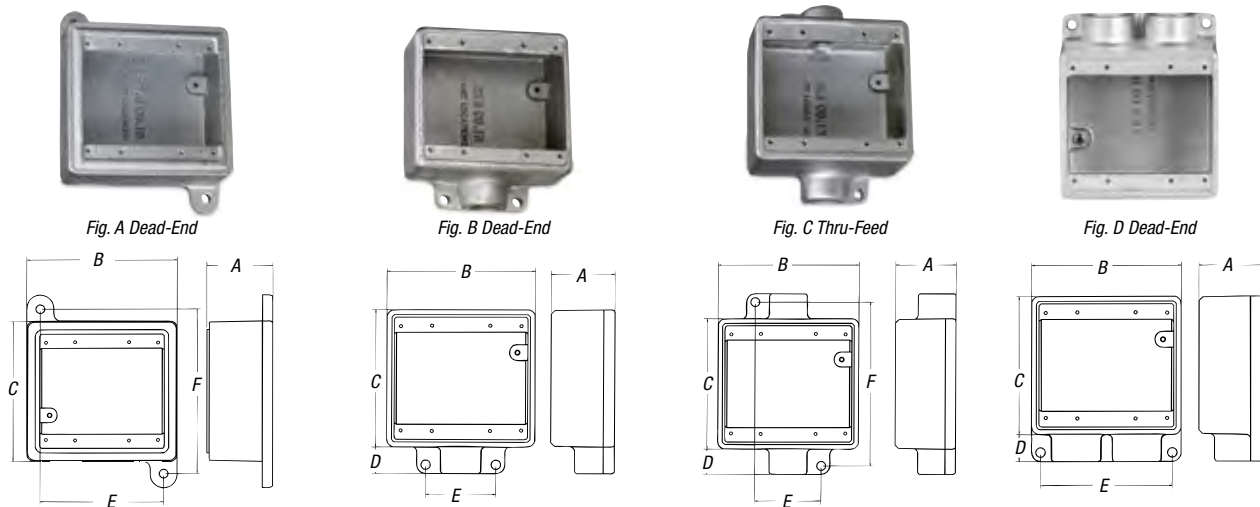


#### Deep Single-Gang Cast Device Boxes

CAT. NO.	FIG.	HUB SIZE	DIMENSIONS (IN.)							THROAT DIA.	
			A	B	C	D	E	F	G	MIN.	MAX.
<i>Dead-End</i>											
FD019-TB	A	Blank	2.81	2.75	4.28	—	3.38	4.72	1.38	N/A	N/A
FD1-TB	B	½"	2.81	2.75	4.28	.88	2.19	—	—	.570	.610
FD2-TB	B	¾"	2.81	2.75	4.28	.88	2.19	—	—	.755	.810
FD3-TB	B	1"	2.81	2.75	4.28	.88	2.19	—	—	.935	1.035
<i>Thru-Feed</i>											
FDC1-TB	C	½"	2.81	2.75	4.28	.88	2.19	5.38	—	.570	.610
FDC2-TB	C	¾"	2.81	2.75	4.28	.88	2.19	5.38	—	.755	.810
FDC3-TB	C	1"	2.81	2.75	4.28	.88	2.19	5.38	—	.935	1.035

## Device Boxes and Covers

### Double-Gang Cast Device Boxes



#### Shallow Double-Gang Cast Device Boxes

CAT. NO.	HUB FIG.	SIZE	DIMENSIONS (IN.)						THROAT DIA.	
			A	B	C	D	E	F	MIN.	MAX.
<i>Dead-End</i>										
FS062-TB	A	Blank	2.00	4.63	4.28	—	4.13	5.50	N/A	N/A
FS12-TB	B	1/2"	2.00	4.63	4.28	.88	2.19	—	.570	.610
FS22-TB	B	3/4"	2.00	4.63	4.28	.88	2.19	—	.755	.810
FS32-TB	B	1"	2.00	4.63	4.28	.88	2.19	—	.935	1.035
<i>Thru-Feed</i>										
FSC12-TB	C	1/2"	2.00	4.63	4.28	.88	2.19	5.38	.570	.610
FSC222-TB	C	3/4"	2.00	4.63	4.28	.88	2.19	5.38	.755	.810
FSC32-TB	C	1"	2.00	4.63	4.28	.88	2.19	5.38	.935	1.035

#### Deep Double-Gang Cast Device Boxes

CAT. NO.	FIG.	HUB SIZE	DIMENSIONS (IN.)						THROAT DIA.	
			A	B	C	D	E	F	MIN.	MAX.
<i>Dead-End</i>										
FD062-TB	A	Blank	2.81	4.63	4.28	—	4.13	5.50	N/A	N/A
FD12-TB	B	1/2"	2.81	4.63	4.28	.88	2.19	—	.570	.610
FD22-TB	B	3/4"	2.81	4.63	4.28	.88	2.19	—	.755	.810
FD32-TB	B	1"	2.81	4.63	4.28	.88	2.19	—	.935	1.035
<i>Thru-Feed</i>										
FDC12-TB	C	1/2"	2.81	4.63	4.28	.88	2.19	5.38	.570	.610
FDC222-TB	C	3/4"	2.81	4.63	4.28	.88	2.19	5.38	.755	.810
FDC32-TB	C	1"	2.81	4.63	4.28	.88	2.19	5.38	.935	1.035

#### Double-Gang Cast Device Boxes, Double Hub

CAT. NO.	FIG.	HUB SIZE	DIMENSIONS (IN.)						THROAT DIA.	
			A	B	C	D	E	MIN.	MAX.	
FSS222-TB	D	3/4"	2.00	4.63	4.28	.88	4.06	—	.755	.810
FDS222-TB	D	3/4"	2.81	4.63	4.28	.88	4.06	—	.755	.810

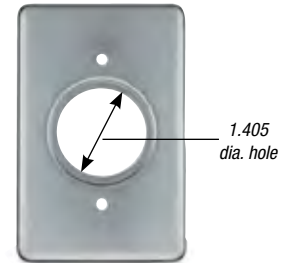
## Device Boxes and Covers

### Single-Gang Covers

CAT. NO.	DESCRIPTION
DSS100-TB	Blank, Sheet Steel
DS21-TB	Round Receptacle, Sheet Steel
DS23-TB	Duplex Receptacle, Sheet Steel
DS32-TB	Single Switch, Sheet Steel
DS100G-TB	Blank, Cast Aluminum



DSS100-TB



DS21-TB

### Double-Gang Covers

CAT. NO.	DESCRIPTION
S1002-TB	Blank, Sheet Steel
S32232-TB	2 Receptacle/Switch, Sheet Steel
S32212-TB	Single Receptacle/Switch, Sheet Steel
S232-TB	2 Dual Receptacle, Sheet Steel
S322-TB	2 Switch, Sheet Steel
S1002GSA-TB	Blank, Cast Aluminum with Gasket



DS23-TB



DS32-TB



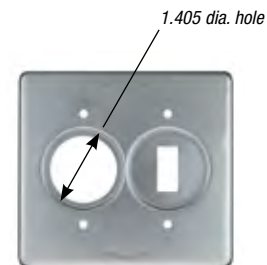
DS100G-TB



S1002-TB



S32232-TB



S32212-TB



S232-TB



S322



S1002GSA-TB

## Device Boxes and Covers

### Aluminum Device Boxes

#### Application

- Industrial-grade FS/FD device boxes and raintight covers protect wiring devices, switches, electronic components, and terminal blocks in dry, damp and wet locations.
- Spacious, accessible wiring chamber provides a convenient location to maintain or change a system, pull conductors and make splices
- Junction for branch conduits
- Aluminum boxes can be used with steel rigid conduit



AFS



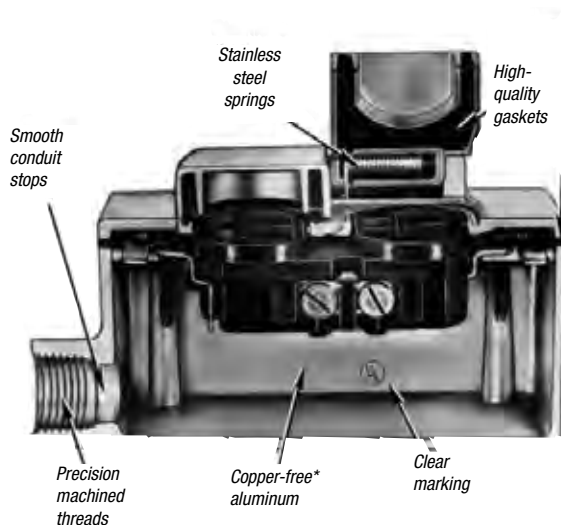
2AFSC



CWP-G



CDR



#### Features

- Copper-free\* aluminum, stainless steel cover springs and hinge pins provide increased corrosion resistance
- Die-cast construction, boxes with securely fastened mounting plates and industrial designed covers combine to produce a rugged protective enclosure for devices on industrial and OEM applications
- Clean cover edges provide good gasket sealing
- Precision NPT threaded hubs allow trouble-free field installation for rigid or IMC conduit
- Clear UL, CSA and cubic content markings speed approval by inspectors
- Boxes — external hub design provides increased wiring room
- Covers ship complete with gaskets and screws

#### Standard Materials

Die-cast aluminum alloy A360 with less than .004% copper content (copper-free)

Cover hinge pins and springs: Stainless steel

#### Standard Finish

Aluminum lacquer finish

#### Listings/Compliances

UL Listed

Boxes CSA Certified with factory-installed ground screw \*\*

Covers CSA Certified

Federal Spec. W-C-586

#### Sample Specifications

Industrial-grade FS/FD device boxes and covers shall be die-cast copper-free\* aluminum alloy A360. All conduit stops shall be coined and free of rough edges. Raintight covers shall have stainless steel springs and hinge pins and are suitable for use in wet locations with cover closed (CFSB, CFST and CFSTF suitable for wet locations). Industrial-grade FS/FD device boxes and covers shall be finished with aluminum lacquer. Industrial-grade FS/FD device boxes and covers shall be Thomas & Betts Catalog No. \_\_\_\_\_

\* Less than .004% copper content

\*\* Consult factory for lead time and minimum quantity



## Device Boxes and Covers



AFS

AFSC

AFSS



AFSCC

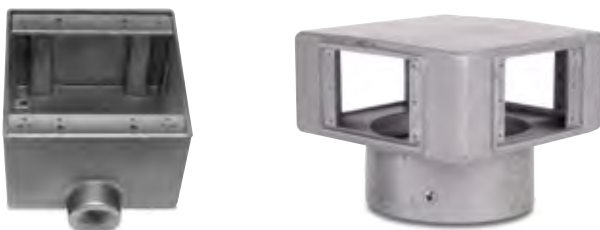
ADFS

ADFSC



2AFS

2AFSC



2ADFS

FSMG-TB

### Single-Gang Boxes Raintight\*

CAT. NO.	HUB SIZE	UNIT QTY.	STD. PKG.	WT. LBS. PER 100
<b>Standard, 1-Hole Box, Dead End</b>				
AFS-1*	1/2"	5	25	68
AFS-2*	3/4"	5	25	74
AFS-3*	1"	5	25	72
<b>Standard, 2-Hole Box, Through Feed</b>				
AFSC-1*	1/2"	5	25	72
AFSC-2*	3/4"	5	25	88
AFSC-3*	1"	5	25	79
<b>Standard, 2-Hole Box, Dead End</b>				
AFSS-1*	1/2"	5	25	80
AFSS-2*	3/4"	5	25	76
<b>Standard, 3-Hole Box, Through Feed</b>				
AFSCC-1*	1/2"	5	25	88
AFSCC-2*	3/4"	5	25	80
<b>Deep, 1-Hole Box, Dead End</b>				
ADFS-1*	1/2"	—	5	74
ADFS-2*	3/4"	—	5	78
ADFS-3*	1"	—	5	80
<b>Deep, 2-Hole Box, Through Feed</b>				
ADFS-1*	1/2"	—	5	76
ADFS-2*	3/4"	—	5	90
ADFS-3*	1"	—	5	90

\* Rain-tight when used with appropriate T&B covers.

### Double-Gang Boxes Raintight\*

CAT. NO.	HUB SIZE	UNIT QTY.	STD. PKG.	WT. LBS. PER 100
<b>Standard, 1-Hole Box, Dead End</b>				
2AFS-1*	1/2"	2	10	115
2AFS-2*	3/4"	2	10	95
2AFS-3*	1"	2	10	90
<b>Standard, 2-Hole Box, Through Feed</b>				
2AFSC-1*	1/2"	2	10	104
2AFSC-2*	3/4"	2	10	102
<b>Deep, 1-Hole Box, Dead End</b>				
2ADFS-1*	1/2"	—	3	128
2ADFS-2*	3/4"	—	3	143

\* Rain-tight when used with appropriate T&B covers.

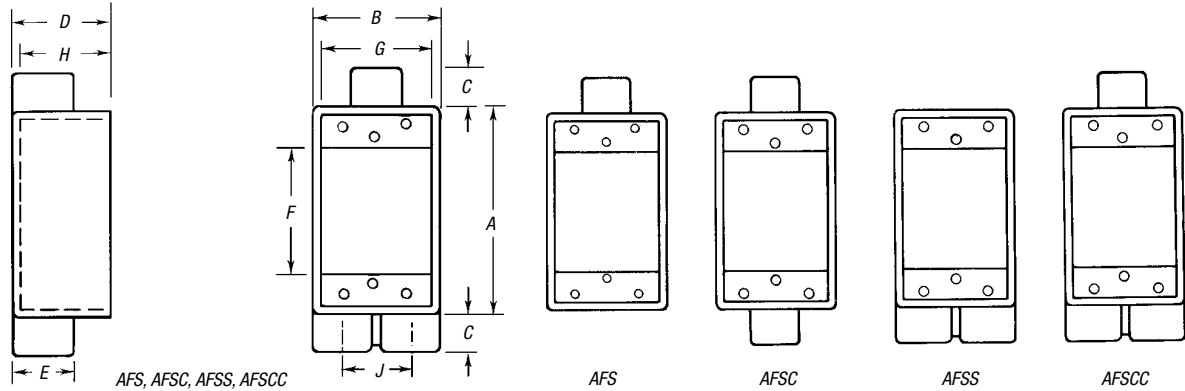
### Multi-Gang Boxes Raintight\*

CAT. NO.	HUB SIZE	UNIT QTY.	STD. PKG.	WT. LBS. PER 100
FSMG-TB	4" Threadless Conduit	—	1	242

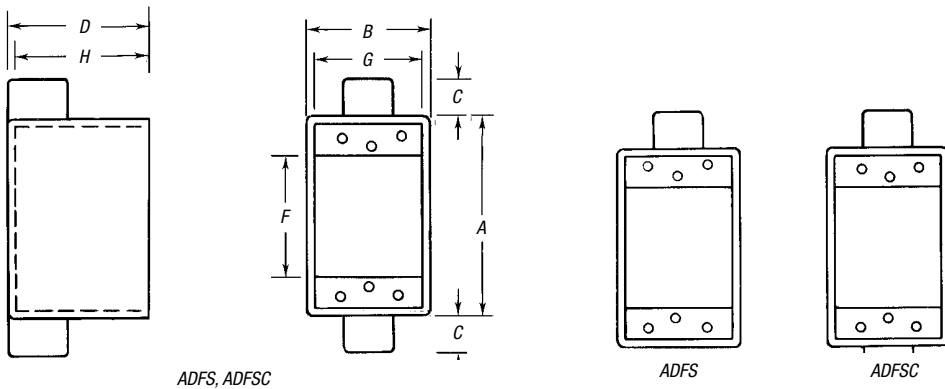
\* Rain-tight when used with appropriate T&B covers and gaskets.

## Device Boxes and Covers

### Dimensions and Cubic Inches (CI) for Single-Gang Boxes



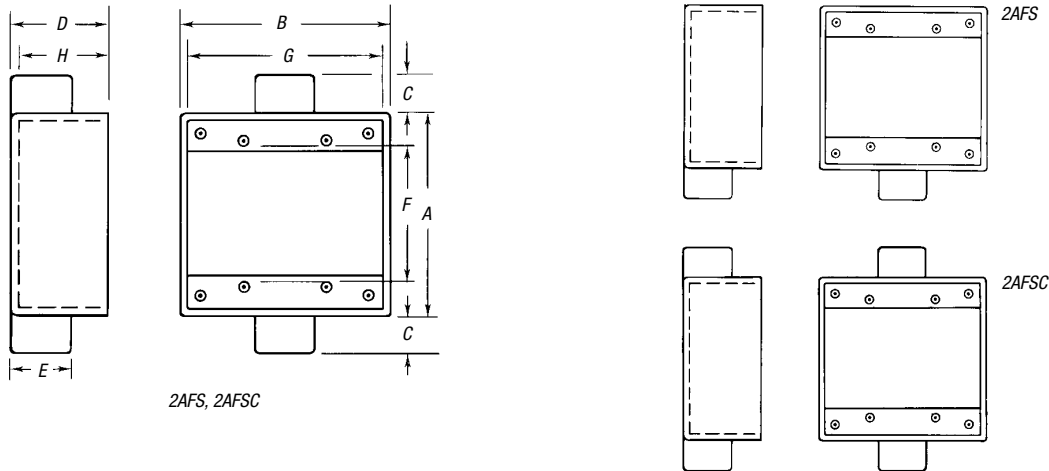
CAT. NO.	HUB SIZE	DIMENSIONS (IN.)										CU. IN.
		A	B	C	D	E	F	G	H	J		
AFS-1	1/2"	4 9/16	2 13/16	1 3/16	2 1/16	1 1/8	2 7/8	2 3/16	1 15/16	—	21.6	
AFS-2	3/4"	4 9/16	2 13/16	1 3/16	2 1/16	1 11/16	2 7/8	2 3/16	1 15/16	—	21.6	
AFS-3	1"	4 9/16	2 13/16	1 3/16	2 1/16	1 11/16	2 7/8	2 3/16	1 15/16	—	21.6	
AFSC-1	1/2"	4 9/16	2 13/16	1 3/16	2 1/16	1 1/8	2 7/8	2 3/16	1 15/16	—	21.6	
AFSC-2	3/4"	4 9/16	2 13/16	1 3/16	2 1/16	1 11/16	2 7/8	2 3/16	1 15/16	—	21.6	
AFSC-3	1"	4 9/16	2 13/16	1 3/16	2 1/16	1 11/16	2 7/8	2 3/16	1 15/16	—	21.6	
AFSS-1	1 1/2"	4 9/16	2 13/16	1 3/16	2 1/16	1 3/8	2 7/8	2 3/16	1 15/16	1 1/2	21.6	
AFSS-2	3/4"	4 9/16	2 13/16	1 3/16	2 1/16	1 3/8	2 7/8	2 3/16	1 15/16	1 1/2	21.6	
AFSCC-1	1/2"	4 9/16	2 13/16	1 3/16	2 1/16	1 3/8	2 7/8	2 3/16	1 15/16	1 1/2	21.6	
AFSCC-2	3/4"	4 9/16	2 13/16	1 3/16	2 1/16	1 3/8	2 7/8	2 3/16	1 15/16	1 1/2	21.6	



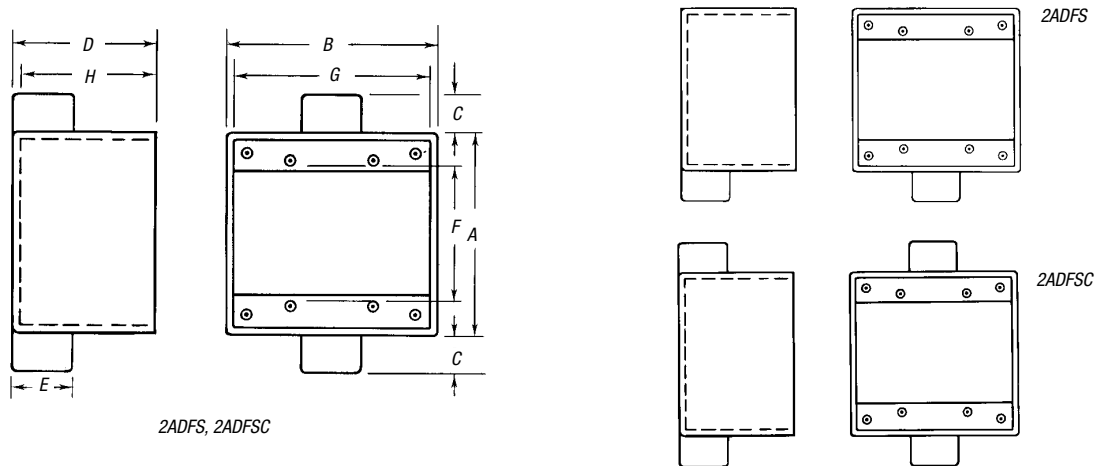
CAT. NO.	HUB SIZE	DIMENSIONS (IN.)										CU. IN.
		A	B	C	D	E	F	G	H			
ADFS-1	1/2"	4 9/16	2 13/16	7/8	3 1/16	1 1/8	2 7/8	2 3/16	2 15/16	31.3		
ADFS-2	3/4"	4 9/16	2 13/16	7/8	3 1/16	1 11/16	2 7/8	2 3/16	2 15/16	31.3		
ADFS-3	1"	4 9/16	2 13/16	7/8	3 1/16	1 11/16	2 7/8	2 3/16	2 15/16	31.3		
ADFSC-1	1 1/2"	4 9/16	2 13/16	7/8	3 1/16	1 1/8	2 7/8	2 3/16	2 15/16	31.3		
ADFSC-2	3/4"	4 9/16	2 13/16	7/8	3 1/16	1 11/16	2 7/8	2 3/16	2 15/16	31.3		
ADFSC-3	1"	4 9/16	2 13/16	7/8	3 1/16	1 11/16	2 7/8	2 3/16	2 15/16	31.3		

## Device Boxes and Covers

### Dimensions and Cubic Inches (CI) for Double-Gang Boxes



CAT. NO.	HUB SIZE	DIMENSIONS (IN.)									CU. IN.
		A	B	C	D	E	F	G	H		
2AFS-1	1/2"	4 9/16	4 5/8	1 3/16	2 1/16	1 3/8	2 7/8	4 3/8	1 15/16	36.0	
2AFS-2	3/4"	4 9/16	4 5/8	1 3/16	2 1/16	1 3/8	2 7/8	4 3/8	1 15/16	36.0	
2AFS-3	1"	4 9/16	4 5/8	7/8	2 1/16	1 11/16	2 7/8	4 3/8	1 15/16	36.0	
2AFSC-1	1/2"	4 9/16	4 5/8	1 3/16	2 1/16	1 3/8	2 7/8	4 3/8	1 15/16	36.0	
2AFSC-2	3/4"	4 9/16	4 5/8	1 3/16	2 1/16	1 3/8	2 7/8	4 3/8	1 15/16	36.0	



CAT. NO.	HUB SIZE	DIMENSIONS (IN.)									CU. IN.
		A	B	C	D	E	F	G	H		
2ADFS-1	1/2"	4 9/16	4 5/8	1 3/16	3 3/32	1 3/8	2 7/8	4 3/8	20	54.0	
2ADFS-2	3/4"	4 9/16	4 5/8	1 3/16	3 3/32	1 3/8	2 7/8	4 3/8	20	54.0	
2ADFS-3	1"	4 9/16	4 5/8	7/8	3 3/32	1 11/16	2 7/8	4 3/8	20	54.0	
2ADFSC-2	3/4"	4 9/16	4 5/8	1 3/16	3 3/32	1 3/8	2 7/8	4 3/8	20	54.0	
2ADFSC-3	1"	4 9/16	4 5/8	7/8	3 3/32	1 11/16	2 7/8	4 3/8	20	54.0	

## Device Boxes and Covers

Special new aluminum alloy offers the ultimate in corrosion resistance!

### T&B® FS/FD CorroStall® Aluminum Boxes

- Special aluminum alloy provides corrosion resistance as cast
- No protective coating required to prevent corrosion
- Ideal for use in food and beverage or pharmaceutical washdown areas, chemical processing and other corrosive environments
- Available in single- and double-gang sizes
- Use with standard T&B FS/FD Aluminum Covers

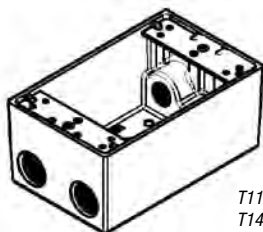
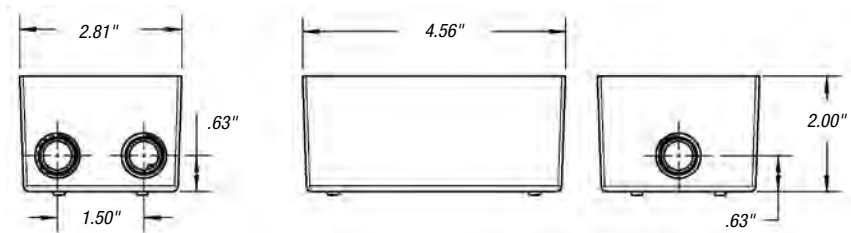


#### Material

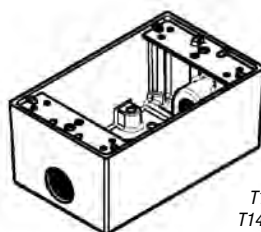
Aluminum alloy

#### Finish

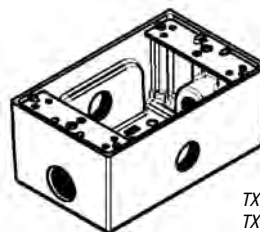
As cast



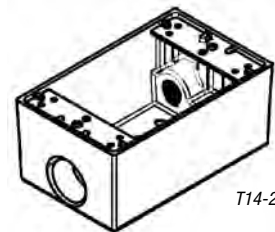
T11-22-FP  
T14-22-FP



T11-FP  
T14-PL-FP



TX11-5-FP  
TX14-5-FP



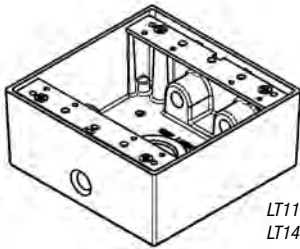
T14-2-FP

#### Single-Gang CorroStall® Boxes

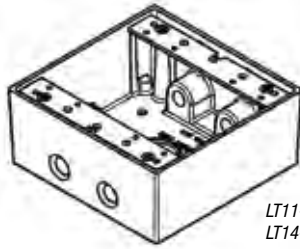


CAT. NO.	NO. OF OUTLET HOLES	HUB SIZE (IN.)	STD. PKG.
T11-22-FP	5	1/2	25
T14-22-FP	5	3/4	25
T11-FP	3	1/2	25
T14-PL-FP	3	3/4	25
TX11-5-FP	5	1/2	25
TX14-5-FP	5	3/4	25
T14-2-FP	4	3/4	25

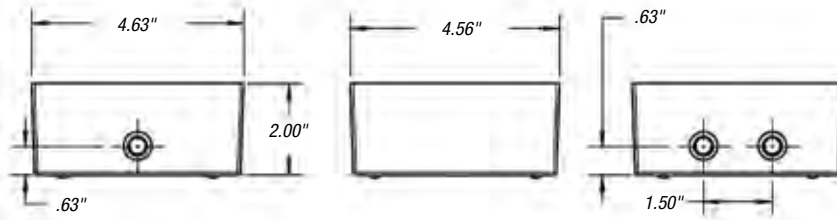
## Device Boxes and Covers



LT11-2-FP  
LT14-2-FP



LT11-3-FP  
LT14-3-FP



### Double-Gang CorroStall® Boxes



CAT. NO.	NO. OF OUTLET HOLES	HUB SIZE (IN.)	STD. PKG.
LT11-3-FP	5	1/2	10
LT14-3-FP	5	3/4	10
LT11-2-FP	4	1/2	10
LT14-2-FP	4	3/4	10

## Device Boxes and Covers

### Aluminum Single- and Double-Gang Covers



CWPDR

CWPDR-FS



CFSDR



CWP-G



CFSH-G



CWPV-G



CFSR-G



CFSR Series



CFST



CFSTF



CFSB

#### Single-Gang Covers — Raintight\*

CAT. NO.	DESCRIPTION	UNIT QTY.	STD. PKG.	WT. LBS. PER 100
<b>For Duplex Receptacles, Horizontal</b>				
CWPDR*	Duplex Receptacle Cover with (2) Spring Doors, Device Mount	1	25	40
CWPDR-FS*	Box Mount	1	25	40

<b>For Duplex Receptacles, Vertical</b>				
CFSDR*	Box Mount	1	25	38

<b>For GFCI Receptacles, Horizontal</b>				
CFSH-G*	Box Mount	1	25	40

<b>For GFCI Receptacles, Vertical</b>				
CWPV-G*	GFCI Receptacle Cover, 2 <sup>1</sup> / <sub>32</sub> " x 1 <sup>1</sup> / <sub>32</sub> " Rectangular Opening Device Mount	1	25	40
CFSR-G*	Box Mount	1	25	40

\*Raintight when used with appropriate Thomas & Betts boxes and gaskets. Suitable for use in wet locations with cover closed — NEMA 3R.

CAT. NO.	NOMINAL SIZE	MAX. DEVICE FACE DIA.	UNIT QTY.	STD. PKG.	WT. LBS. PER 100
<b>For Single Receptacles, Vertical (Box Mount Only)</b>					
CFSR-L*	1 <sup>1</sup> / <sub>16</sub> "	1.600"	1	25	40
CFSR-S*	1 <sup>3</sup> / <sub>8</sub> "	1.395"	1	25	40
CFSR-X*	1 <sup>27</sup> / <sub>32</sub> "	1.865"	1	25	40
CFSR-XL*	2 <sup>1</sup> / <sub>8</sub> "	2.145"	1	25	40
CFSR-Y*	1 <sup>3</sup> / <sub>4</sub> "	1.750"	1	25	40

\*Raintight when used with appropriate Thomas & Betts boxes and gaskets. Suitable for use in wet locations with cover closed — NEMA 3R.

CAT. NO.	DESCRIPTION	UNIT QTY.	STD. PKG.	WT. LBS. PER 100
<b>Switch Cover</b>				
CFST*	Plunger Style, Switch Cover, Box Mount NEMA 3R	1	25	40
<b>Switch Cover</b>				
CFSTF*	Front Lever, Switch Cover, Box Mount NEMA 4	1	25	40
<b>Blank Cover</b>				
CFSB*	Blank Cover, Box Mount, NEMA 3R	1	25	14

\*Raintight when used with appropriate Thomas & Betts boxes and gaskets. Suitable for use in wet locations with cover closed — NEMA 3R.



## Device Boxes and Covers



### Single-Gang Covers

CAT. NO.	DESCRIPTION	UNIT QTY.	STD. PKG.	WT. LBS. PER 100
<b>For Duplex Receptacles</b>				
CDR	Duplex Receptacle Cover, Box Mount	20	100	11
<b>For Switches</b>				
CTS	Switch Cover, Box Mount	20	100	14

CAT. NO.	NOMINAL SIZE	MAX. DEVICE FACE DIA.	UNIT QTY.	STD. PKG.	WT. LBS. PER 100
<b>For Single Receptacles (Box Mount Only)</b>					
CRL	1 1/16"	1.600"	20	100	12
CRS	1 1/8"	1.395"	20	100	12

CAT. NO.	DESCRIPTION	STD. PKG.	WT. LBS. PER 100
<b>Gasket</b>			
FS-GKV	Composition Gasket	100	2

### Double-Gang Covers — Raintight\*

CAT. NO.	DESCRIPTION	UNIT QTY.	STD. PKG.	WT. LBS. PER 100
<b>For Two Duplex Receptacles</b>				
2CWPR*	Two Duplex Receptacle Cover with (2) Spring Doors, Device Mount	1	10	48
<b>For Single Receptacle</b>				
2CWPR-M*	Single Receptacle Cover, Hole Dia. 2 1/4", Device Mount	1	10	48
2CFSR-M*	Single Receptacle Cover, Hole Dia. 2 1/4", Box Mount	1	10	48
<b>For Two Switches</b>				
2CFST*	Plunger Style Switch Cover, Box Mount	1	10	26

CAT. NO.	DESCRIPTION	UNIT QTY.	STD. PKG.	WT. LBS. PER 100
<b>Blank</b>				
2CFSB*	Blank Cover, Box Mount	10	50	25

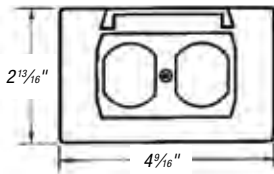
\*Raintight when used with appropriate Thomas & Betts boxes, covers and gaskets. Suitable for use in wet locations with cover closed — NEMA 3R.

### Double-Gang Covers

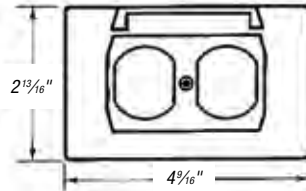
CAT. NO.	DESCRIPTION	UNIT QTY.	STD. PKG.	WT. LBS. PER 100
<b>For Two Duplex Receptacles</b>				
2CDR	Two Duplex Receptacle Cover, Device Mount	10	50	24
<b>For Two Switches</b>				
2CTS	Switch Cover, Device Mount	10	50	24
<b>For Switch and Duplex Receptacles</b>				
2CTDR	Switch and Duplex Receptacle Cover, Device Mount	10	50	24
<b>Gasket</b>				
2FS-GKV	Composition Gasket	—	50	3

## Device Boxes and Covers

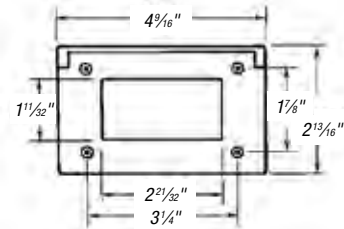
### Dimensions for Single-Gang Covers



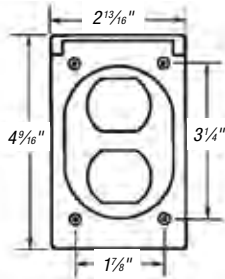
CWPDR



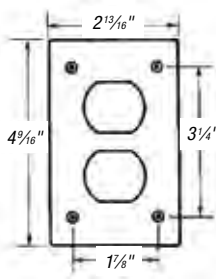
CWPDR-FS



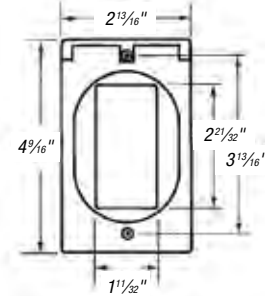
CFSH-G



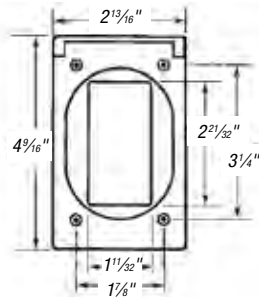
CFSDR



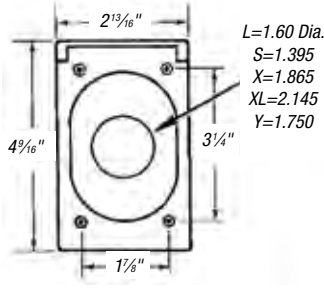
CDR



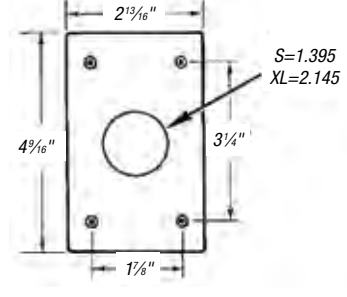
CWPV-G



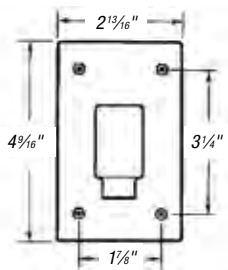
CFSR-G



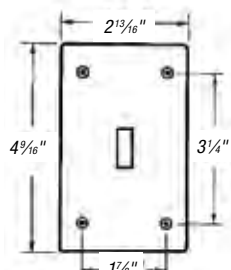
CFSR Series



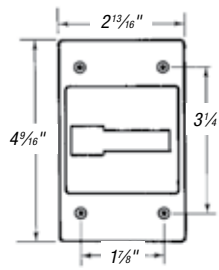
CR Series



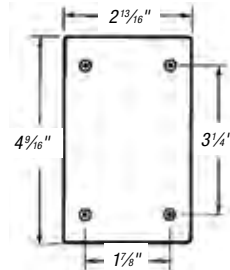
CFST



CTS



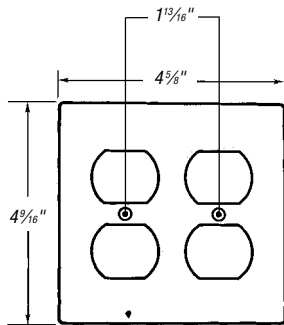
CFSTF



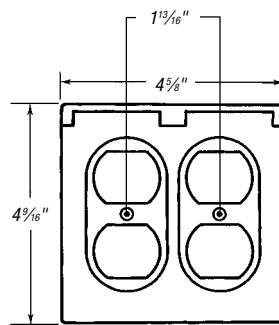
CFSB

## Device Boxes and Covers

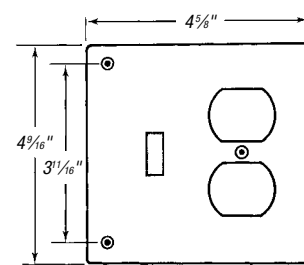
### Dimensions for Double-Gang Covers



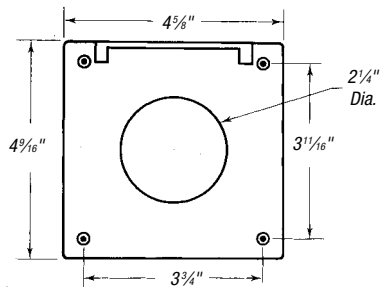
2CDR



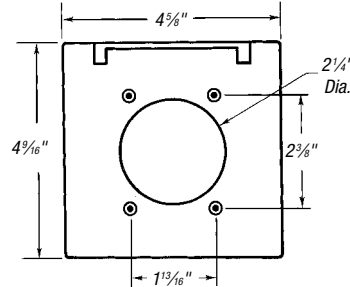
2CWPR



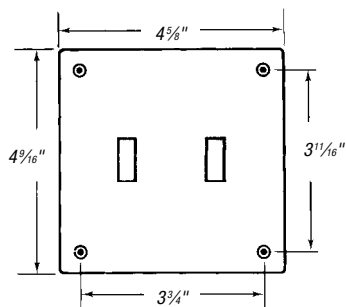
2CTDR



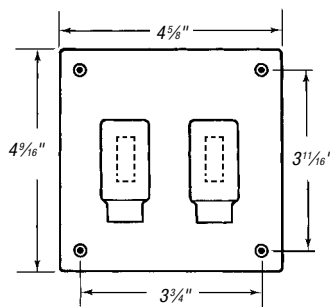
2CFSR-M



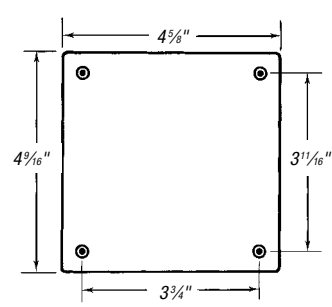
2CWPR-M



2CTS



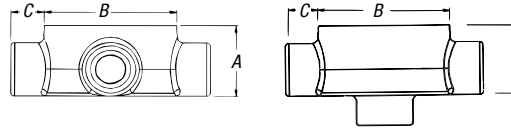
2CFST



2CFSB

## Hazardous Location Fittings

### GUA Conduit Outlet Boxes



#### Application

GUA boxes can be used for hazardous location conduit runs for the following:

- Allows for mounting of fixture outlets (when used with appropriate covers)
- Provides easy access to wiring
- Provides junction in conduit for wire pulling and splices
- Changes direction in rigid conduit systems
- Attaches two or more pieces of conduit in long runs
- Guards against damage to wires in rigid conduit



GUA

#### Features

- All hubs have a minimum of five full threads and integral bushing
- All boxes are furnished with internal grounding screw
- Cover supplied with O-ring gasket



GUAB

#### Size Range

½" NPT to 2" NPT

Access opening 2" to 5" diameter

#### Materials

Bodies.... Grade 60-45-10 Ductile Iron (Complies with ASTM standard A536)

Covers..... Die-cast aluminum

#### Finish

Boxes.....Zinc-plated with aluminum acrylic paint

Covers.....Natural

#### Listings/Compliances

UL514A (wet locations when used with gasketed covers)

UL886

CSA: C22.2 No. 30

Cl. I, Div. 1 & 2, Groups C, D

Cl. II, Div. 1, Groups E, F, G

Cl. III, Div. 1 & 2

NEMA 3, 4, 7 CD, 9 EFG

Explosion-Proof

Dust-Ignition-Proof

Raintight

Wet Locations



GUAC



GUAD

#### GUA



CAT. NO.	HUB SIZE	DIMENSIONS (IN.)			THROAT DIA.		CU. IN. CAPACITY
		A	B	C	MIN.	MAX.	
GUA14-TB	½"	1.81	2.50	.88	.570	.610	5.5
GUA16-TB	½"	2.00	3.50	.88	.570	.610	13.5
GUA24-TB	¾"	2.00	2.50	.88	.755	.810	5.3
GUA26-TB	¾"	2.00	3.50	.88	.755	.810	13.3
GUA36-TB	1"	2.31	3.50	.88	.935	1.035	16.2
GUA47-TB	1¼"	2.69	4.38	1.00	1.260	1.360	29
GUA59-TB	1½"	3.81	5.75	1.06	1.470	1.590	70

#### GUAB



CAT. NO.	HUB SIZE	DIMENSIONS (IN.)			THROAT DIA.		CU. IN. CAPACITY
		A	B	C	MIN.	MAX.	
GUAB14-TB	½"	2.25	2.50	.88	.570	.610	6.9
GUAB16-TB	½"	2.00	3.50	.88	.570	.610	13.5
GUAB24-TB	¾"	2.50	2.50	.88	.755	.810	7.9
GUAB26-TB	¾"	2.00	3.50	.88	.755	.810	13.5
GUAB36-TB	1"	2.31	3.50	1.00	.935	1.035	15.4
GUAB47-TB	1¼"	2.69	4.38	1.00	1.260	1.360	27.5
GUAB59-TB	1½"	3.81	5.75	1.06	1.470	1.590	73.6
GUAB69-TB	2"	4.06	5.75	1.06	1.880	2.047	80
GUAB79-TB	2½"	4.06	5.75	1.13	2.320	2.380	98

#### GUAC



CAT. NO.	HUB SIZE	DIMENSIONS (IN.)			THROAT DIA.		CU. IN. CAPACITY
		A	B	C	MIN.	MAX.	
GUAC14-TB	½"	2.25	2.50	.88	.570	.610	6.8
GUAC16-TB	½"	2.00	3.50	.88	.570	.610	13.1
GUAC24-TB	¾"	2.00	2.50	.88	.755	.810	5.3
GUAC26-TB	¾"	2.00	3.50	.88	.755	.810	13.3
GUAC36-TB	1"	2.31	3.50	.88	.935	1.035	16.2
GUAC47-TB	1¼"	2.69	4.38	1.00	1.260	1.360	29.3
GUAC49-TB	1¼"	3.81	5.75	1.00	1.260	1.360	73.6
GUAC59-TB	1½"	3.81	5.75	1.06	1.470	1.590	74
GUAC69-TB	2"	4.06	5.75	1.06	1.880	2.047	77.8

#### GUAD



CAT. NO.	HUB SIZE	DIMENSIONS (IN.)			THROAT DIA.		CU. IN. CAPACITY
		A	B	C	MIN.	MAX.	
GUAD14-TB	½"	1.81	2.50	.88	.570	.610	5.6
GUAD16-TB	½"	2.00	3.50	.88	.570	.610	12.5
GUAD24-TB	¾"	2.00	2.50	.88	.755	.810	5.2
GUAD26-TB	¾"	2.00	3.50	.88	.755	.810	13.1
GUAD36-TB	1"	2.31	3.50	.88	.935	1.035	16
GUAD49-TB	1¼"	3.81	5.75	1.00	1.260	1.360	76

## Hazardous Location Fittings



### GUAL



CAT. NO.	HUB SIZE	DIMENSIONS (IN.)			THROAT DIA.		CU. IN. CAPACITY
		A	B	C	MIN.	MAX.	
GUAL14-TB	1/2"	2.25	2.50	.88	.570	.610	7.1
GUAL16-TB	1/2"	2.00	3.50	.88	.570	.610	13.4
GUAL24-TB	3/4"	2.00	2.50	.88	.755	.810	5.3
GUAL26-TB	3/4"	2.00	3.50	.88	.755	.810	13.3
GUAL36-TB	1"	2.31	3.50	.88	.935	1.035	16.2
GUAL47-TB	1 1/4"	2.69	4.38	1.00	1.260	1.360	30
GUAL49-TB	1 1/4"	3.81	5.75	1.00	1.260	1.360	74.5
GUAL59-TB	1 1/2"	3.81	5.75	1.06	1.470	1.590	74
GUAL69-TB	2"	4.06	5.75	1.06	1.880	2.047	77.8

### GUAT



CAT. NO.	HUB SIZE	DIMENSIONS (IN.)			THROAT DIA.		CU. IN. CAPACITY
		A	B	C	MIN.	MAX.	
GUAT14-TB	1/2"	2.25	2.50	.88	.570	.610	7
GUAT16-TB	1/2"	2.00	3.50	.88	.570	.610	13.5
GUAT24-TB	3/4"	2.00	2.50	.88	.755	.810	5.3
GUAT26-TB	3/4"	2.00	3.50	.88	.755	.810	13.3
GUAT36-TB	1"	2.31	3.50	1.00	.935	1.035	15.9
GUAT37-TB	1"	2.31	3.50	.88	.935	1.035	23.3
GUAT47-TB	1 1/4"	2.69	4.38	1.00	1.260	1.360	29.3
GUAT49-TB	1 1/4"	3.81	5.75	1.00	1.260	1.360	77.2
GUAT59-TB	1 1/2"	3.81	5.75	1.06	1.470	1.590	77.7
GUAT69-TB	2"	4.06	5.75	1.06	1.880	2.047	77.8
GUAT79-TB	2 1/2"	4.06	5.75	1.06	2.320	2.380	95

### GUAM



CAT. NO.	HUB SIZE	DIMENSIONS (IN.)			THROAT DIA.		CU. IN. CAPACITY
		A	B	C	MIN.	MAX.	
GUAM14-TB	1/2"	1.81	2.50	.88	.570	.610	5.6
GUAM16-TB	1/2"	2.00	3.50	.88	.570	.610	12.5
GUAM24-TB	3/4"	2.00	2.50	.88	.755	.810	6.2
GUAM26-TB	3/4"	2.00	3.50	.88	.755	.810	12.5
GUAM36-TB	1"	2.31	3.50	.88	.935	1.035	14
GUAM47-TB	1 1/4"	2.69	4.38	1.00	1.260	1.360	29.2
GUAM69-TB	2"	4.06	5.75	1.06	1.880	2.047	80

### GUAW



CAT. NO.	HUB SIZE	DIMENSIONS (IN.)			THROAT DIA.		CU. IN. CAPACITY
		A	B	C	MIN.	MAX.	
GUAW14-TB	1/2"	1.81	2.50	.88	.570	.610	5.2
GUAW16-TB	1/2"	2.00	3.50	.88	.570	.610	13
GUAW24-TB	3/4"	2.00	2.50	.88	.755	.810	6.5
GUAW26-TB	3/4"	2.00	3.50	.88	.755	.810	13

### GUAX



CAT. NO.	HUB SIZE	DIMENSIONS (IN.)			THROAT DIA.		CU. IN. CAPACITY
		A	B	C	MIN.	MAX.	
GUAX14-TB	1/2"	1.81	2.50	.88	.570	.610	5.2
GUAX16-TB	1/2"	2.00	3.50	.88	.570	.610	13.5
GUAX24-TB	3/4"	2.00	2.50	.88	.755	.810	5.3
GUAX26-TB	3/4"	2.00	3.50	.88	.755	.810	13.3
GUAX36-TB	1"	2.31	3.50	1.00	.935	1.035	16
GUAX37-TB	1"	2.31	3.50	.88	.935	1.035	23.3
GUAX47-TB	1 1/4"	2.69	4.38	1.00	1.260	1.360	30
GUAX49-TB	1 1/4"	3.81	5.75	1.00	1.260	1.360	72
GUAX59-TB	1 1/2"	3.81	5.75	1.06	1.470	1.590	71
GUAX69-TB	2"	4.06	5.75	1.06	1.880	2.047	77.8

### GUAN



CAT. NO.	HUB SIZE	DIMENSIONS (IN.)			THROAT DIA.		CU. IN. CAPACITY
		A	B	C	MIN.	MAX.	
GUAN14-TB	1/2"	2.13	2.50	.88	.570	.610	6.8
GUAN16-TB	1/2"	2.00	3.50	.88	.570	.610	13.5
GUAN24-TB	3/4"	2.31	2.50	.88	.755	.810	7.7
GUAN26-TB	3/4"	2.00	3.50	.88	.755	.810	14
GUAN36-TB	1"	2.31	3.50	.88	.935	1.035	16.9
GUAN47-TB	1 1/4"	2.69	4.38	1.00	1.260	1.360	31.5
GUAN59-TB	1 1/2"	4.06	5.75	1.06	1.470	1.590	84
GUAN69-TB	2"	4.06	5.75	1.06	1.880	2.047	84

## Hazardous Location Fittings

### Aluminum External Hubs

#### Application

- Junction for branch conduits in hazardous locations
- Accessible wiring chamber provides a convenient location to maintain or change a system, pull conductors and make splices
- Unique mounting pads and external hub design ideal for installations of OEM devices or instruments

#### Features

- Copper-free\* aluminum provides increased corrosion resistance
- Precision cast and machined surfaces permit safer wire pulling
- Precision NPT threaded hubs enable trouble-free field installation for rigid or IMC conduit
- Die-cast construction and industrial design combine to produce a rugged protective enclosure for devices on industrial and OEM applications
- Clear UL, CSA and cubic content markings speed approval by inspectors

#### Standard Materials

Die-cast aluminum alloy A360 with less than .004 copper content (copper-free)

#### Standard Finish

Aluminum lacquer finish

#### Listings/Compliances

UL Listed  
 CSA Certified  
 Suitable for hazardous locations  
 NEMA 4 rated when ordered with O-ring installed  
 Federal Spec W-C-586  
 Cl.I, Div. 1 & 2, Groups C, D  
 Cl.II, Div. 1, Groups E, F, G  
 Cl.III, Div. 1 & 2  
 Explosion-Proof  
 Dust-Ignition-Proof  
 Raintight  
 Wet Locations

#### Sample Specifications

Outlet boxes for hazardous locations shall be die-cast copper-free\* aluminum alloy A360 and suitable for use in Class I, Groups C, D, Class II, Groups E, F, G and Class III areas. All conduit stops shall be coined and free of rough edges. Outlet boxes for hazardous locations shall be finished with aluminum lacquer. Outlet boxes shall be Red•Dot® Catalog No. \_\_\_\_\_

\*Less than .004 copper content.



GAX



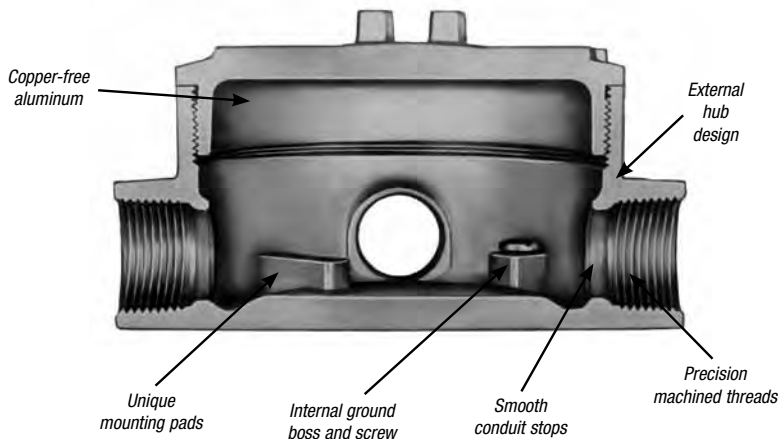
GAFX



GAJU



GASS





## Hazardous Location Fittings

### Aluminum External Hubs with Installed Green Ground Screw

#### Through Feed with Surface Cover

CAT. NO.	HUB SIZE	UNIT QTY.	STD. PKG.	WT. LBS. PER 100
GAC-1•	½"	1	5	115
GAC-2•	¾"	1	5	115
GAC-3•	1"	1	5	115



GAC

#### Dead End with Surface Cover

CAT. NO.	HUB SIZE	UNIT QTY.	STD. PKG.	WT. LBS. PER 100
GAE-2•	¾"	1	5	110



GAE

#### L Style with Surface Cover

CAT. NO.	HUB SIZE	UNIT QTY.	STD. PKG.	WT. LBS. PER 100
GAL-1	½"	1	5	115
GAL-2•	¾"	1	5	115
GAL-3•	1"	1	5	115
GAL-4•	1¼"	1	5	175
GAL-5•	1½"	1	4	247
GAL-6•	2"	1	4	253



GAL

#### LB Style with Surface Cover

CAT. NO.	HUB SIZE	UNIT QTY.	STD. PKG.	WT. LBS. PER 100
GALB-1•	½"	1	5	115
GALB-2	¾"	1	5	115
GALB-3•	1"	1	5	115
GALB-4•	1¼"	1	2	175
GALB-6•	2"	1	4	253



GALB

#### T Style with Surface Cover

CAT. NO.	HUB SIZE	UNIT QTY.	STD. PKG.	WT. LBS. PER 100
GAT-1•	½"	1	5	120
GAT-2	¾"	1	5	120
GAT-3•	1"	1	5	120
GAT-4	1¼"	1	5	180
GAT-6•	2"	1	1	406



GAT

• Made-to-order items. Consult factory for lead time and minimum quantities.

## Hazardous Location Fittings

### Aluminum External Hubs with Installed Green Ground Screw

#### X Style with Surface Cover

CAT. NO.	HUB SIZE	UNIT QTY.	STD. PKG.	WT. LBS. PER 100
GAX-1 <sup>†</sup>	½"	1	5	125
GAX-2 <sup>†</sup>	¾"	1	5	125
GAX-3 <sup>†</sup>	1"	1	5	125
GAX-5 <sup>†</sup>	1½"	1	1	257

#### X Style with Flange and Surface Cover

CAT. NO.	HUB SIZE	UNIT QTY.	STD. PKG.	WT. LBS. PER 100
GAFX-1 <sup>†</sup>	½"	1	4	135
GAFX-2 <sup>†</sup>	¾"	1	4	135

#### Surface-Style Cover

CAT. NO.	COVER OPENING	FIT BOXES	STD. PKG.	WT. LBS. PER 100
GAS-123•	3⅛"	½", ¾", 1"	1	36
GAS-4•	3 <sup>29</sup> / <sub>32</sub> "	1¼"	1	52
GAS-56•	5⅛"	1½", 2"	1	69

#### Dome-Style Cover (Class I, Group D only)

CAT. NO.	COVER OPENING	FITS BOXES	INSIDE HEIGHT	CU. IN. CAPACITY	STD. PKG.	WT. LBS PER 100
GAD-123•	3⅛"	½", ¾", 1"	2 <sup>5</sup> / <sub>8</sub> "	23	1	71

• Made-to-order items. Consult factory for lead time and minimum quantities.

<sup>†</sup> Suffix-OR: O-ring available for NEMA 4 rating. Consult factory for lead time and price.

### Aluminum External Hubs with Installed Green Ground Screw, Covers and Plugs

#### U Style with Canopy Cover

CAT. NO.	HUB SIZE	UNIT QTY.	STD. PKG.	WT. LBS. PER 100
GAJU-2	¾"	1	5	130
GAJU-3	1"	1	5	130
GAJU-6•	2"	1	1	273

#### Canopy-Style Cover

CAT. NO.	COVER OPENING	FITS BOXES	UNIT QTY.	STD. PKG.	WT. LBS PER 100
GAJ-123•	3⅛"	½", ¾", 1"	1	10	44
GAJ-4•	3 <sup>29</sup> / <sub>32</sub> "	1¼"	1	5	61
GAJ-56•	5⅛"	1½", 2"	1	5	78

• Made-to-order items. Consult factory for lead time and minimum quantities.



GAX



GAFX



GAS



GAD



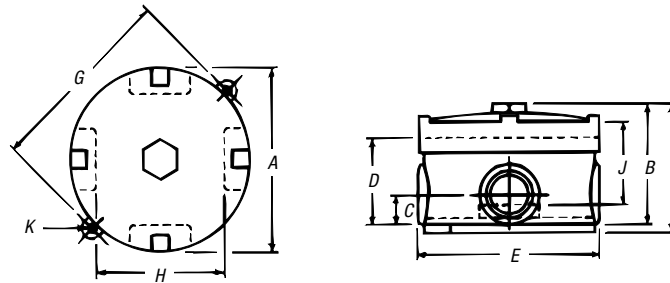
GAJU



GAJ

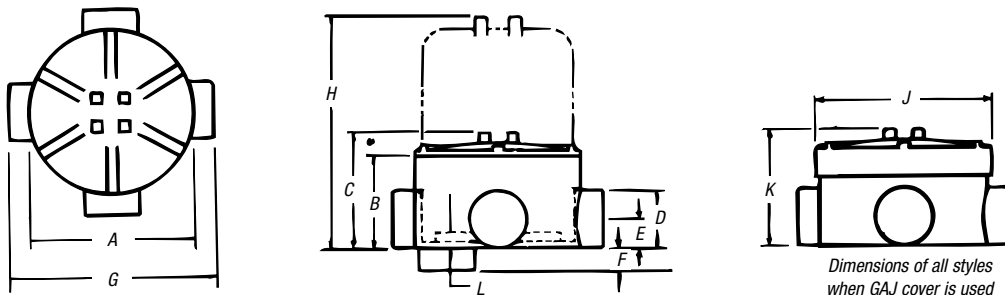
## Hazardous Location Fittings

### Dimensions and Cubic Inches (CI) for External Hubs



#### EXUN and EXUNL

HUB SIZE	DIMENSIONS (IN.)										CI
	A	B	C	D	E	F	G	H	J	K	
1/2"	3 <sup>31</sup> / <sub>32</sub> "	3 <sup>1</sup> / <sub>8</sub> "	2 <sup>21</sup> / <sub>32</sub> "	2 <sup>1</sup> / <sub>16</sub> "	4	3 <sup>3</sup> / <sub>8</sub> "	4 <sup>1</sup> / <sub>4</sub> "	1 <sup>1</sup> / <sub>4</sub> "	1 <sup>1</sup> / <sub>16</sub> "	1 <sup>7</sup> / <sub>64</sub> "	20.3
3/4"	3 <sup>31</sup> / <sub>32</sub> "	3 <sup>1</sup> / <sub>8</sub> "	2 <sup>21</sup> / <sub>32</sub> "	2 <sup>1</sup> / <sub>16</sub> "	4	3 <sup>3</sup> / <sub>8</sub> "	4 <sup>1</sup> / <sub>4</sub> "	1 <sup>1</sup> / <sub>4</sub> "	1 <sup>1</sup> / <sub>16</sub> "	1 <sup>7</sup> / <sub>64</sub> "	20.3
1"	3 <sup>31</sup> / <sub>32</sub> "	3 <sup>3</sup> / <sub>16</sub> "	3/4"	2 <sup>1</sup> / <sub>4</sub> "	4	3 <sup>3</sup> / <sub>16</sub> "	4 <sup>1</sup> / <sub>4</sub> "	1 <sup>1</sup> / <sub>16</sub> "	1 <sup>1</sup> / <sub>16</sub> "	1 <sup>7</sup> / <sub>64</sub> "	20.0

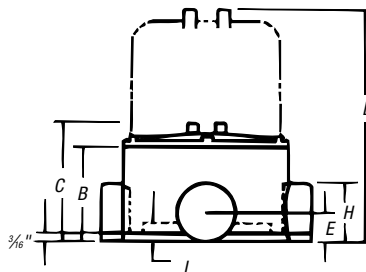
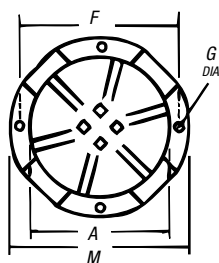


#### GAC, GAE, GAL, GALB, GAT and GAX

COVER OPENING	HUB SIZE	DIMENSIONS (IN.)										CI	
		A	B	C	D	E	F	G	H	J	K		L
3 <sup>11</sup> / <sub>16</sub> "	1/2"	4"	2 <sup>1</sup> / <sub>4</sub> "	2 <sup>15</sup> / <sub>16</sub> "	1 <sup>3</sup> / <sub>8</sub> "	1 <sup>1</sup> / <sub>16</sub> "	1 <sup>1</sup> / <sub>16</sub> "	5 <sup>3</sup> / <sub>16</sub> "	5 <sup>9</sup> / <sub>16</sub> "	4 <sup>3</sup> / <sub>16</sub> "	3 <sup>3</sup> / <sub>16</sub> "	9 <sup>1</sup> / <sub>16</sub> "	18.8
3 <sup>11</sup> / <sub>16</sub> "	3/4"	4"	2 <sup>1</sup> / <sub>4</sub> "	2 <sup>15</sup> / <sub>16</sub> "	1 <sup>3</sup> / <sub>8</sub> "	1 <sup>1</sup> / <sub>16</sub> "	1 <sup>1</sup> / <sub>16</sub> "	5 <sup>3</sup> / <sub>16</sub> "	5 <sup>9</sup> / <sub>16</sub> "	4 <sup>3</sup> / <sub>16</sub> "	3 <sup>3</sup> / <sub>16</sub> "	9 <sup>1</sup> / <sub>16</sub> "	18.8
3 <sup>11</sup> / <sub>16</sub> "	1"	4"	2 <sup>1</sup> / <sub>4</sub> "	2 <sup>15</sup> / <sub>16</sub> "	1 <sup>5</sup> / <sub>8</sub> "	1 <sup>3</sup> / <sub>16</sub> "	2 <sup>7</sup> / <sub>32</sub> "	5 <sup>1</sup> / <sub>2</sub> "	5 <sup>9</sup> / <sub>16</sub> "	4 <sup>3</sup> / <sub>16</sub> "	3 <sup>3</sup> / <sub>16</sub> "	9 <sup>1</sup> / <sub>16</sub> "	18.8
3 <sup>29</sup> / <sub>32</sub> "	1 <sup>1</sup> / <sub>4</sub> "	4 <sup>5</sup> / <sub>16</sub> "	3"	3 <sup>11</sup> / <sub>16</sub> "	2 <sup>1</sup> / <sub>16</sub> "	1 <sup>1</sup> / <sub>32</sub> "	7 <sup>8</sup> / <sub>8</sub> "	5 <sup>11</sup> / <sub>16</sub> "	—	4 <sup>9</sup> / <sub>16</sub> "	3 <sup>15</sup> / <sub>16</sub> "	5 <sup>8</sup> / <sub>8</sub> "	28.0
5 <sup>3</sup> / <sub>16</sub> "	1 <sup>1</sup> / <sub>2</sub> "	5 <sup>3</sup> / <sub>4</sub> "	4 <sup>1</sup> / <sub>4</sub> "	5 <sup>1</sup> / <sub>16</sub> "	2 <sup>7</sup> / <sub>8</sub> "	1 <sup>7</sup> / <sub>16</sub> "	7 <sup>8</sup> / <sub>8</sub> "	6 <sup>5</sup> / <sub>8</sub> "	—	6 <sup>7</sup> / <sub>16</sub> "	5 <sup>19</sup> / <sub>32</sub> "	1 <sup>3</sup> / <sub>16</sub> "	69.3
5 <sup>3</sup> / <sub>16</sub> "	2"	5 <sup>3</sup> / <sub>4</sub> "	4 <sup>1</sup> / <sub>4</sub> "	5 <sup>1</sup> / <sub>16</sub> "	2 <sup>7</sup> / <sub>8</sub> "	1 <sup>7</sup> / <sub>16</sub> "	7 <sup>8</sup> / <sub>8</sub> "	6 <sup>5</sup> / <sub>8</sub> "	—	6 <sup>7</sup> / <sub>16</sub> "	5 <sup>19</sup> / <sub>32</sub> "	1 <sup>3</sup> / <sub>16</sub> "	69.3

## Hazardous Location Fittings

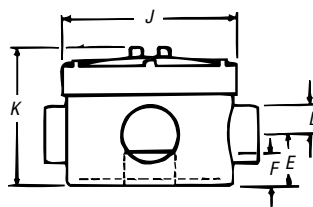
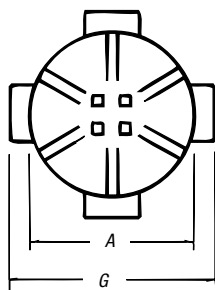
### Dimensions and Cubic Inches (CI) for External Hubs (continued)



#### GAFX

COVER OPENING	HUB SIZE	DIMENSIONS (IN.)										
		A	B	C	D	E	F	G	H	L	M	CI
3 <sup>1</sup> / <sub>16</sub> "	1/2"	4"	2 <sup>1</sup> / <sub>4</sub> "	2 <sup>15</sup> / <sub>16</sub> "	5 <sup>9</sup> / <sub>16</sub> "	1 <sup>1</sup> / <sub>16</sub> "	4 <sup>1</sup> / <sub>2</sub> "	1/4"	1 <sup>3</sup> / <sub>8</sub> "	9/16"	5 <sup>9</sup> / <sub>16</sub> "	20.0
3 <sup>1</sup> / <sub>16</sub> "	3/4"	4"	2 <sup>1</sup> / <sub>4</sub> "	2 <sup>15</sup> / <sub>16</sub> "	5 <sup>9</sup> / <sub>16</sub> "	1 <sup>1</sup> / <sub>16</sub> "	4 <sup>1</sup> / <sub>2</sub> "	1/4"	1 <sup>3</sup> / <sub>8</sub> "	9/16"	5 <sup>9</sup> / <sub>16</sub> "	20.0
3 <sup>1</sup> / <sub>16</sub> "	1"	4"	2 <sup>1</sup> / <sub>4</sub> "	2 <sup>15</sup> / <sub>16</sub> "	5 <sup>9</sup> / <sub>16</sub> "	1 <sup>1</sup> / <sub>16</sub> "	4 <sup>3</sup> / <sub>4</sub> "	5/16"	1 <sup>5</sup> / <sub>8</sub> "	9/16"	5 <sup>1</sup> / <sub>2</sub> "	19.0

**Note:** All GAF units supplied as X configuration with proper number of explosion-proof close-up plugs to make C, T or L.



#### GAJU

COVER OPENING	HUB SIZE	DIMENSIONS (IN.)								
		A	D	E	F	G	J	K	CI	
3 <sup>1</sup> / <sub>16</sub> "	1/2"	4"	1 <sup>3</sup> / <sub>16</sub> "	1 <sup>1</sup> / <sub>2</sub> "	3 <sup>1</sup> / <sub>32</sub> "	5 <sup>3</sup> / <sub>16</sub> "	4 <sup>3</sup> / <sub>16</sub> "	4"	23.8	
3 <sup>1</sup> / <sub>16</sub> "	3/4"	4"	1 <sup>3</sup> / <sub>16</sub> "	1 <sup>1</sup> / <sub>2</sub> "	3 <sup>1</sup> / <sub>32</sub> "	5 <sup>3</sup> / <sub>16</sub> "	4 <sup>3</sup> / <sub>16</sub> "	4"	23.8	
3 <sup>1</sup> / <sub>16</sub> "	1"	4"	1 <sup>3</sup> / <sub>16</sub> "	1 <sup>1</sup> / <sub>2</sub> "	3 <sup>1</sup> / <sub>32</sub> "	5 <sup>3</sup> / <sub>16</sub> "	4 <sup>3</sup> / <sub>16</sub> "	4"	23.8	
3 <sup>29</sup> / <sub>32</sub> "	1 <sup>1</sup> / <sub>4</sub> "	4 <sup>5</sup> / <sub>16</sub> "	2 <sup>1</sup> / <sub>16</sub> "	1 <sup>1</sup> / <sub>32</sub> "	7/8"	5 <sup>1</sup> / <sub>16</sub> "	4 <sup>3</sup> / <sub>4</sub> "	3 <sup>15</sup> / <sub>16</sub> "	33.3	
5 <sup>9</sup> / <sub>16</sub> "	1 <sup>1</sup> / <sub>2</sub> "	5 <sup>3</sup> / <sub>4</sub> "	1 <sup>7</sup> / <sub>16</sub> "	2 <sup>1</sup> / <sub>16</sub> "	1 <sup>1</sup> / <sub>2</sub> "	6 <sup>7</sup> / <sub>16</sub> "	6 <sup>7</sup> / <sub>16</sub> "	6 <sup>7</sup> / <sub>16</sub> "	82.8	
5 <sup>9</sup> / <sub>16</sub> "	2"	5 <sup>3</sup> / <sub>4</sub> "	1 <sup>7</sup> / <sub>16</sub> "	2 <sup>1</sup> / <sub>16</sub> "	1 <sup>1</sup> / <sub>2</sub> "	6 <sup>7</sup> / <sub>16</sub> "	6 <sup>7</sup> / <sub>16</sub> "	6 <sup>7</sup> / <sub>16</sub> "	82.8	

**Note:** All GA & GAF series boxes are supplied with GAS or GAJ style covers.

To order these boxes with GAD dome cover, consult factory.

## Hazardous Location Fittings

### EXUN Series Aluminum Internal Hubs



#### Application

- Junction for branch conduits in hazardous locations
- Accessible wiring chamber provides a convenient location to maintain or change a system, pull conductors and make splices
- Internal hub design ideal for installation where space is limited

#### Features

- Copper-free\* aluminum provides increased corrosion resistance
- Precision cast and machined surfaces permit safer wire pulling
- Precision NPT threaded hubs enable trouble-free field installation for rigid or IMC conduit
- Die-cast construction and industrial design combine to produce a rugged protective enclosure for devices on industrial and OEM applications
- Clear UL, CSA and cubic content markings speed approval by inspectors



EXUN



EXUNL

#### Standard Materials

Die-cast aluminum alloy A360 with less than .004 copper content (copper-free)

#### Standard Finish

Aluminum lacquer finish

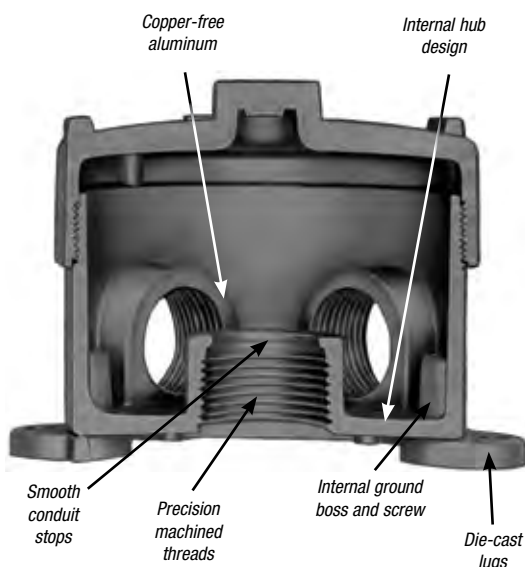
#### Listings/Compliances

UL Listed  
 CSA Certified  
 Suitable for hazardous locations  
 Federal Spec W-C-586  
 Cl.I, Div. 1 & 2, Groups C, D  
 Cl.II, Div. 1, Groups E, F, G  
 Cl.III, Div. 1 & 2  
 NEMA 3, 4, 7 CD, 9 EFG  
 Explosion-Proof  
 Dust-Ignition-Proof  
 Raintight  
 Wet Locations

#### Sample Specifications

Outlet boxes for hazardous locations shall be die-cast copper-free\* aluminum alloy A360 and suitable for use in Class I, Groups C, D, Class II, Groups E, F, G and Class III areas. All conduit stops shall be coined and free of rough edges. Outlet boxes for hazardous locations shall be finished with aluminum lacquer. Outlet boxes shall be Thomas & Betts Catalog No. \_\_\_\_\_

\*Less than .004 copper content.



## Hazardous Location Fittings

### 5-Hole Aluminum Box



CAT. NO.	HUB SIZE	DESCRIPTION	UNIT QTY.	STD. PKG.	WT. LBS. PER 100
EXUN-1	1/2"	(5) Outlets	1	5	140
EXUN-2	3/4"	with (3) Close-Up Plugs	1	5	140
EXUN-3	1"	with (3) Close-Up Plugs	1	5	140



EXUN-1

### 4-Hole Aluminum Box



CAT. NO.	HUB SIZE	DESCRIPTION	UNIT QTY.	STD. PKG.	WT. LBS. PER 100
EXUN-11	1/2"	(4) Outlets	1	5	140
EXUN-22	3/4"	with (2) Close-Up Plugs	1	5	—



EXUN-11



## Hazardous Location Fittings

### GASS Series Aluminum Internal Hubs

#### Application

- Junction for branch conduits in hazardous locations
- Accessible wiring chamber provides a convenient location to maintain or change a system, pull conductors and make splices

#### Features

- Copper-free\* aluminum alloy provides increased corrosion resistance
- Extra-wide 3¾" opening provides more hand space for easy access to the wiring chamber
- Precision cast and machined surfaces permit safer wire pulling
- Large capacity 31-cu.-in. chamber provides more wiring space
- Precision NPT threaded hubs enable trouble-free field installation for rigid or IMC conduit
- Sand-cast construction and industrial design combine to produce a rugged protective enclosure for devices on industrial and OEM applications
- Clear UL, CSA and cubic content markings speed approval by inspectors
- Hub spacing enables use of EXFU and EXMU unions

#### Standard Materials

Box — Sand-Cast aluminum alloy A356. 2-T6  
 Cover — Die-Cast aluminum alloy A360 with less than .004 copper content (copper-free)

#### Standard Finish

Aluminum lacquer finish

#### Listings/Compliances

UL Listed  
 CSA Certified  
 NEC  
 Cl.I, Div. 1 & 2, Groups C, D  
 Cl.II, Div. 1, Groups E, F, G  
 Cl.III, Div. 1 & 2  
 NEMA 3, 4, 7 CD, 9 EFG  
 Explosion-Proof  
 Dust-Ignition-Proof  
 Raintight  
 Wet Locations

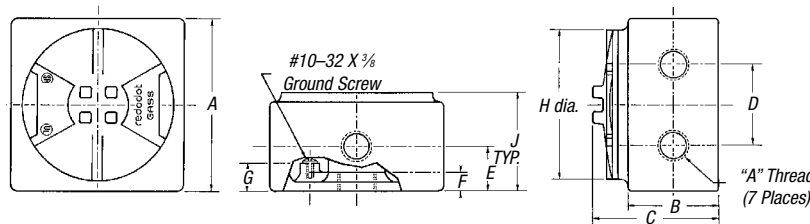
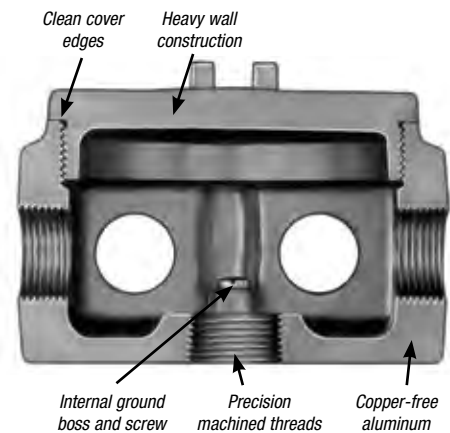
#### Sample Specifications

Enclosure for hazardous locations. The box shall be cast copper-free\* aluminum alloy A356.2-T6. Suitable for use in hazardous locations: Suitable for use in Class I, Groups C, D; Class II, Groups E, F, G; and Class III areas. Enclosures shall be finished with aluminum lacquer. Outlet boxes shall be Thomas & Betts Catalog No. \_\_\_\_\_

\*Less than .004% copper content.



GASS



Dimensions of all styles when GASS cover is used

#### GASS Internal Hubs with Installed Green Ground Screw, Cover and Plugs



COVER OPENING	HUB SIZE	A	B	C	D	E	F	G	H	J	CI
4"	½"	4%	2%	3%	2½	1½	½	¾	4	2%	31
4"	¾"	4%	2%	3%	2½	1½	½	¾	4	2%	31
4"	1"	4%	2%	3%	2½	1½	½	¾	4	2%	31

CAT. NO.	HUB SIZE	UNIT QTY.	STD. PKG.	WT. LBS. PER 100
GASS-1	½"	1	5	282
GASS-2	¾"	1	5	278
GASS-3	1"	1	5	274

## Hazardous Location Fittings

Perfect for the petrochemical industry!

### GUP Explosion-Proof Enclosure

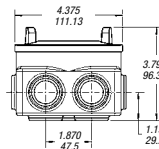
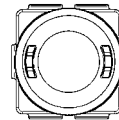


CAT. NO.	DESCRIPTION	STD. PKG. QTY.
GUP214-TB	Junction Box — 10 Hubs (3/4" NPT): (2) in Top, (2) in Bottom, (1) in Each Side, (4) in the Back	1
GUP215-TB	Junction Box — (6) Hubs (3/4" NPT): (2) in Top, (2) in Bottom, (1) in Each Side	1

T&B has developed an innovative new solution ideally suited for gas station contractors and the petrochemical market — the GUP Explosion-Proof Enclosure. The compact design makes gas station pumps an ideal application due to space constraints. Two different configurations are available and the body is constructed of ductile iron for superior strength. Rely on T&B to deliver the best products when safety is a concern.

#### Features

- Compact design
- O-ring gasket standard for raintight applications
- Supplied with conduit plugs
  - three plugs for GUP215-TB
  - seven plugs for GUP214-TB



#### Materials

Ductile iron for superior strength (Body)  
Copper-free cast aluminum (A6) (Cover)  
Neoprene gasket (O-Ring)

#### Standard Finish

Ductile iron — Electroplated and aluminum acrylic paint  
Copper-free aluminum cover — Natural

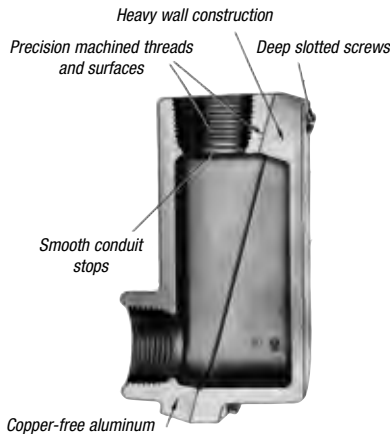
#### Listings/Compliances

UL886 Listed  
CSA Standard C22.2  
Cl. I, Div. 1 & 2, Groups C, D  
Cl. II, Div. 1, Groups E, F, G  
Cl. III, Div. 1 & 2  
NEMA 3, 4, 7 CD, 9 EFG  
Explosion-Proof  
Dust-Ignition-Proof  
Raintight  
Wet Locations

### LB Style Conduit Body — Aluminum



CAT. NO.	HUB SIZE	UNIT QTY.	STD. PKG.	WT. LBS. PER 100
EXLB-1	1/2"	5	76	92
EXLB-2	3/4"	5	94	115
EXLB-3	1"	5	132	172



#### Application

- Junction for branch conduits
- Accessible wiring chamber provides a convenient location to pull conductors and make splices

#### Features

- 31 cu. in. capacity
- Copper-free\* aluminum provides increased corrosion resistance
- Precision cast and machined surfaces permit safer wire pulling
- Precision NPT threaded hubs enable trouble-free field installation for rigid or IMC conduit
- Deep slotted cover screws for faster installation
- Clear UL, CSA and cubic content markings speed approval by inspectors

#### Standard Materials

Die-cast aluminum alloy A360 with less than .004% copper content (copper-free)

#### Standard Finish

Aluminum lacquer finish

#### Listings/Compliances

UL Listed  
CSA Certified  
Suitable for hazardous locations  
Cl. I, Div. 1 & 2, Groups C, D  
Cl. II, Div. 1, Groups E, F, G  
Cl. III, Div. 1 & 2  
NEMA 3, 4, 7 CD, 9 EFG  
Explosion-Proof  
Dust-Ignition-Proof  
Raintight  
Wet Locations

### T Style Conduit Body — Aluminum



CAT. NO.	HUB SIZE	UNIT QTY.	STD. PKG.	WT. LBS. PER 100
EXT-1	1/2"	5	25	92
EXT-2	3/4"	5	25	115
EXT-3	1"	5	5	172

#### Sample Specifications

Conduit fittings for hazardous locations shall be die-cast copper-free\* aluminum alloy A360. Suitable for use in hazardous locations: Class I, Groups C, D; Class II, Groups E, F, G and Class III. All conduit stops shall be coined and free of rough edges. Conduit fittings shall be finished with aluminum lacquer. Conduit fittings shall be Thomas & Betts® Catalog No.

\*Less than .004 copper content.

## Hazardous Location Fittings

### OE Series Iron Conduit Outlet Bodies

#### Application

OE series are installed in conduit systems within hazardous areas to:

- Protect conductors in threaded rigid conduit
- Act as pulling and splice fittings
- Interconnect lengths of conduit
- Change direction of conduit
- Provide access for maintenance and future system changes

#### Features

OE conduit bodies have:

- Tapered threaded hubs for ground continuity
- Smooth integral hub bushings to protect conductor insulation when pulling
- Five different hub arrangements
- Accurately machined body with blind tapped screw holes
- Most compact design of all hazardous area outlet bodies
- Sizes up to 1"

#### Standard Materials

Bodies: Grade 60-45-10 Ductile Iron (Complies with ASTM standard A536)

#### Standard Finish

Electrogalvanized and aluminum acrylic paint

#### Size Ranges

Hub — ½" and ¾"

#### Listings/Compliances

Cl. I, Div. 1 & 2, Groups C, D  
Cl. II, Div. 1, Groups E, F, G  
Cl. III, Div. 1 & 2

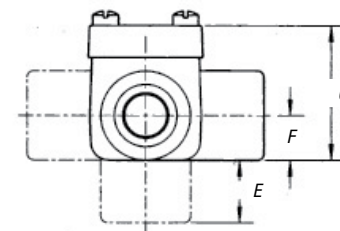
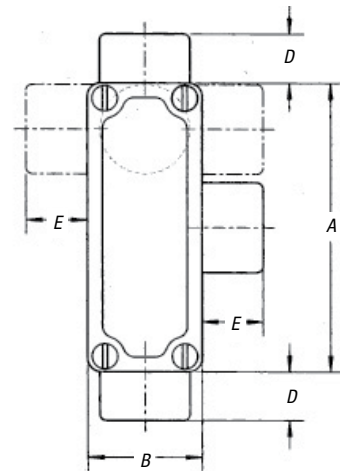
NEMA 3, 4, 7 CD, 9 EFG

Explosion-Proof

Dust-Ignition-Proof

Raintight

Wet Locations



CAT. NO.	HUB SIZE	DIMENSIONS (IN.)					
		A	B	C	D	E	F
OEC1-TB	½"	4.06	1.62	1.90	.69	.88	.63
OEC2-TB	¾"	4.35	1.88	2.19	.69	.88	.76
OET1-TB	½"	4.06	1.62	1.90	.69	.88	.63
OET2-TB	¾"	4.35	1.88	2.19	.69	.88	.76
OELL1-TB	½"	4.06	1.62	1.90	.69	.88	.63
OELL2-TB	¾"	4.35	1.88	2.19	.69	.88	.76
OELR1-TB	½"	4.06	1.62	1.90	.69	.88	.63
OELR2-TB	¾"	4.35	1.88	2.19	.69	.88	.76
OELB1-TB	½"	4.06	1.62	1.90	.69	.88	.63
OELB2-TB	¾"	4.35	1.88	2.19	.69	.88	.76

## Hazardous Location Fittings

Provides maximum volume for bends within a compact overall size!

### Capped Iron Elbow — Female to Female

#### Application

LBY/GYF elbows are installed in conduit systems within hazardous areas to:

- Make 90° bends in conduit systems where space is limited
- Act as pull outlets
- Provide access to conductors for maintenance and future system changes

#### Features

- Maximum volume for bends within a compact overall size
- Screw on cover for ease of installation and removal
- Cover opening on an angle, permitting conductors to be pulled straight through either hub
- Tapered threaded hubs and integral bushing for rigid threaded conduit



#### Standard Materials

LBY Ductile Iron  
GYF Copper Free Aluminum

#### Listings/Compliances (LBY)

Cl. I, Div. 1 & 2, Groups C, D  
Cl. II, Div. 1, Groups E, F, G  
Cl. III, Div. 1 & 2

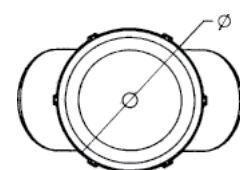
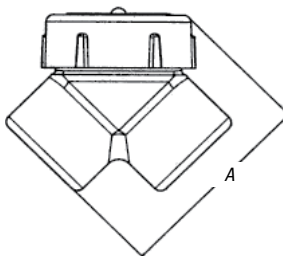
NEMA 3, 4, 7 CD, 9 EFG

Explosion-Proof

Dust-Ignition-Proof

Raintight

Wet Locations



CAT. NO.	HUB SIZE	A	B	THROAT DIM.	
				MIN.	MAX.
LBY15-TB	1/2"	2 <sup>7</sup> / <sub>16</sub>	2	.570	.610
LBY25-TB	3/4"	2 <sup>7</sup> / <sub>16</sub>	2 <sup>1</sup> / <sub>4</sub>	.755	.810
LBY35-TB	1"	3 <sup>3</sup> / <sub>32</sub>	2 <sup>1</sup> / <sub>2</sub>	.955	1.035
LBY45-TB	1 <sup>1</sup> / <sub>4</sub> "	3 <sup>3</sup> / <sub>4</sub>	2 <sup>15</sup> / <sub>16</sub>	1.260	1.360
LBY55-TB	1 <sup>1</sup> / <sub>2</sub> "	4 <sup>1</sup> / <sub>4</sub>	3 <sup>3</sup> / <sub>8</sub>	1.470	1.590
LBY65-TB	2"	5 <sup>1</sup> / <sub>2</sub>	4	1.880	2.047

### Capped Aluminum Elbow — Female to Female



CAT. NO.	HUB SIZE	UNIT QTY.	STD. PKG.	WT. LBS. PER 100
GYF-1	1/2"	10	50	23
GYF-2	3/4"	5	25	40
GYF-3	1"	5	25	60
GYF-4•	1 <sup>1</sup> / <sub>4</sub> "	2	10	80
GYF-5	1 <sup>1</sup> / <sub>2</sub> "	2	10	95

• Made-to-order items. Consult factory for lead time and minimum quantities.

## Hazardous Location Fittings

### Reducers, Plugs and Adapters

#### Application

- RE and REC reducers are used in threaded heavy wall conduit systems
- RE reduces conduit hubs to a smaller size
- REC connects two different sizes of conduit together or is used to replace a coupling and reducer in an installation
- PLG plugs are used for closing threaded conduit hubs



#### Features

- All Hubs have NPT threads with a minimum of five full threads and integral bushing for preventing damage to wires

#### Materials

Machined Reducers: Steel  
 Cast Reducers: Gray Iron  
 Funnel Reducers: Iron  
 Recessed Plugs: Gray Iron  
 Red•Dot® Recessed Plugs:  
 Copper-free aluminum

#### Listings/Compliances

UL: 886  
 CSA: C22.2 No.30  
 Cl. I, Div. 1 & 2, Groups A, B, C, D  
 Cl. II, Div. 1, Groups E, F, G  
 Cl. III, Div. 1 & 2  
 Explosion-Proof  
 Dust-Ignition-Proof  
 For hazardous and non-hazardous locations

#### Standard Finishes

Cast zinc plated with aluminum acrylic paint  
 Machine zinc plated with clear chromate finish

### Recessed Plugs



CAT. NO.	THREADS (NPT)
<i>With Flush Head for Hazardous and Non-Hazardous Locations</i>	
PLG1-TB	1/2
PLG2-TB	3/4
PLG3-TB	1
PLG4-TB	1 1/4
PLG5-TB	1 1/2
PLG6-TB	2
PLG7-TB	2 1/2
PLG8-TB	3
PLG9-TB	3 1/2
PLG10-TB	4

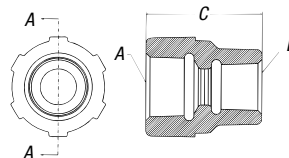
### Reducing Bushings



CAT. NO.	A MALE (NPT)	B FEMALE (NPT)
RE21-TB	3/4	1/2
RE31-TB	1	1/2
RE32-TB	1	3/4
RE41-TB	1 1/4	1/2
RE42-TB	1 1/4	3/4
RE43-TB	1 1/4	1
RE51-TB	1 1/2	1/2
RE52-TB	1 1/2	3/4
RE53-TB	1 1/2	1
RE54-TB	1 1/2	1 1/4
RE61-TB	2	1/2
RE62-TB	2	3/4
RE63-TB	2	1
RE64-TB	2	1 1/4
RE65-TB	2	1 1/2

CAT. NO.	A MALE (NPT)	B FEMALE (NPT)
RE73-TB	2 1/2	1
RE74-TB	2 1/2	1 1/4
RE75-TB	2 1/2	1 1/2
RE76-TB	2 1/2	2
RE83-TB	3	1
RE84-TB	3	1 1/4
RE85-TB	3	1 1/2
RE86-TB	3	2
RE87-TB	3	2 1/2
RE96-TB	3 1/2	2
RE97-TB	3 1/2	2 1/2
RE98-TB	3 1/2	3
RE106-TB	4	2
RE107-TB	4	2 1/2
RE108-TB	4	3

### REC Series Reducers



CAT. NO.	A (NPT)	B (NPT)	C
<i>Funnel-Shaped Reducers for Hazardous and Non-Hazardous Locations</i>			
REC21-TB	3/4	1/2 - 14	1 1/8
REC31-TB	1	1/2 - 14	2
REC32-TB	1	3/4 - 14	2

### Aluminum Recessed Plugs



CAT. NO.	HUB SIZE
<i>With Flush Head for Hazardous and Non-Hazardous Locations</i>	
XPLG-1†	1/2"
XPLG-2†	3/4"
XPLG-3†	1"
XPLG-4*	1 1/4"
XPLG-5*	1 1/2"
XPLG-6*	2"

Made-to-order items. Consult factory for lead time and minimum quantities.

† Not UL Listed and not approved for use in hazardous locations.

\* UL Listed E 34438

## Hazardous Location Fittings

### UN Series Three-Piece Unions

#### Application

UNY and UNF unions are installed in threaded thickwall conduit systems:

- UNY — to connect conduit to a conduit fitting, junction box or device enclosure
- UNF — to connect conduit to conduit, or to provide a means for future modification of the conduit system

#### Standard Finishes

Steel — electrogalvanized with chromate treatment

Iron alloy, malleable iron — electrogalvanized and aluminum acrylic paint

#### Listings/Compliances

NEC®/CEC

Class I, Division 1 & 2, Groups A, B, C, D

Class II, Division 1, Groups E, F, G

Class III

UNF, UNY ½" – 1"

UL – Conduit unions for use in Cat. Nos. UNF/UNY followed by 105, 205, or 305; for use in:

Class I, Division 1 & 2, Groups A, B, C, D

Class II, Division 1, Groups E, F, G

Class III

UNF, UNY ½", ¾", 1"

CSA — Conduit unions for use in Cat. Nos. UNF/UNY followed by 105, 205, 305, 405 or 505; for use in:

Class I, Division 1 & 2, Groups B, C, D

Class II, Division 1, Groups E, F, G

Class III

UNF, UNY ½", ¾", 1", 1¼", 1½"

UL — Conduit unions for use in Cat. Nos. UNF/UNY followed by 405 or 505; for use in:

Class I, Division 1 & 2, Groups B, C, D

Class II, Division 1, Groups E, F, G

Class III

UNF, UNY 1¼", 1½"

UL & CSA — Conduit unions for use in Cat. Nos. UNF/UNY, EL Series followed by 605, 905, or 1005; for use in:

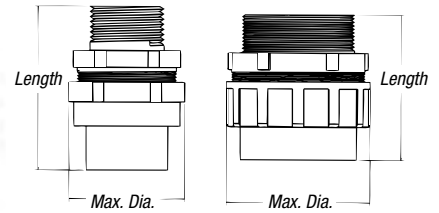
Class I, Division 1 & 2, Groups C, D

Class II, Division 1, Groups E, F, G

Class III

UNF, UNY 2", 2½", 3", 3½", 4"

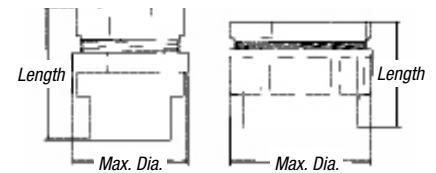
NEC and National Electrical Code are registered trademarks of the National Fire Protection Association, Inc.



#### UNY Male Unions



CAT. NO.	TRADE SIZE	OVERALL LENGTH/INCHES	OVERALL DIA./INCHES
<b>For Hazardous and Non-Hazardous Locations</b>			
UNY105-TB	½	2 <sup>25</sup> / <sub>64</sub>	1½
UNY205-TB	¾	2 <sup>1</sup> / <sub>16</sub>	1 <sup>13</sup> / <sub>16</sub>
UNY305-TB	1	2 <sup>3</sup> / <sub>4</sub>	2
UNY405-TB	1¼	3 <sup>1</sup> / <sub>16</sub>	2¼
UNY505-TB	1½	3 <sup>5</sup> / <sub>8</sub>	3 <sup>1</sup> / <sub>16</sub>
UNY605-TB	2	3½	3 <sup>3</sup> / <sub>16</sub>
UNY705-TB	2½	4 <sup>13</sup> / <sub>16</sub>	4 <sup>1</sup> / <sub>16</sub>
UNY805-TB	3	5 <sup>11</sup> / <sub>32</sub>	5 <sup>1</sup> / <sub>16</sub>
UNY905-TB	3½	5½	5 <sup>1</sup> / <sub>16</sub>
UNY1005-TB	4	5 <sup>5</sup> / <sub>8</sub>	6 <sup>1</sup> / <sub>16</sub>



#### UNF Female Unions



CAT. NO.	TRADE SIZE	OVERALL LENGTH/INCHES	OVERALL DIA./INCHES
<b>For Hazardous and Non-Hazardous Locations</b>			
UNF105-TB†	½	1 <sup>1</sup> / <sub>8</sub>	1½
UNF205-TB†	¾	2 <sup>1</sup> / <sub>8</sub>	1 <sup>13</sup> / <sub>16</sub>
UNF305-TB†	1	2 <sup>5</sup> / <sub>32</sub>	2
UNF405-TB††	1¼	2¼	2¼
UNF505-TB††	1½	2¾	3 <sup>1</sup> / <sub>16</sub>
UNF605-TB†††	2	2½	3 <sup>3</sup> / <sub>16</sub>
UNF705-TB†††	2½	3½	4 <sup>1</sup> / <sub>16</sub>
UNF805-TB†††	3	4	5 <sup>1</sup> / <sub>16</sub>
UNF905-TB†††	3½	4 <sup>5</sup> / <sub>32</sub>	5 <sup>1</sup> / <sub>16</sub>
UNF1005-TB†††	4	4¾	6 <sup>1</sup> / <sub>16</sub>

† Steel

†† Forged steel

††† Malleable iron



## Hazardous Location Fittings

### EX Series Aluminum Three-Piece Unions



#### Application

- Unions are used as connecting elements between enclosures, fittings or boxes that permit future changes to the system in both hazardous and non-hazardous areas

#### Features

- Copper-free\* aluminum provides increased corrosion resistance
- Precision cast and machined surfaces permit safer wire pulling
- Precision NPT threaded hubs allow trouble-free field installation for rigid or IMC conduit
- Clear UL, CSA and cubic content markings speed approval by inspectors
- Unique concentric ring design ensures critical flame path control

#### Standard Materials

Die-cast aluminum alloy A360 with less than .004 copper content (copper-free)

EXMU nipples are galvanized steel

#### Standard Finish

Aluminum lacquer finish

#### Listings/Compliances

UL Listed

CSA Certified

Suitable for hazardous locations

Federal Spec W-C-586

Cl. I, Div. 1 & 2, Groups C, D

Cl. II, Div. 1, Groups E, F, G

Cl. III, Div. 1 & 2

NEMA 3, 4, 7 CD, 9 EFG

Explosion-Proof

Dust-Ignition-Proof

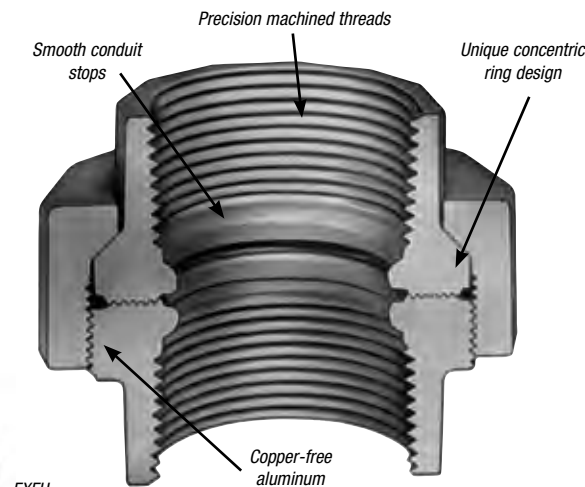
Raintight

Wet Locations

#### Sample Specifications

Conduit unions for hazardous locations shall be die-cast copper-free\* aluminum alloy A360. Suitable for use in hazardous locations: Class I, Groups C, D; Class II, Groups E, F, G and Class III. All conduit stops shall be coined and free of rough edges. Conduit unions shall be finished with aluminum lacquer. Conduit unions shall be Thomas & Betts® Catalog No. \_\_\_\_\_

\*Less than .004 copper content.



EXFU



EXMU

#### EXFU Female-to-Female Unions



CAT. NO.	HUB SIZE	UNIT QTY.	STD. PKG.	WT. LBS. PER 100
EXFU-1	1/2"	5	25	24
EXFU-2	3/4"	5	25	33
EXFU-3	1"	5	25	42
EXFU-4	1 1/4"	5	25	53
EXFU-5	1 1/2"	5	25	68
EXFU-6•	2"	2	10	130
EXFU-8•	3"	1	5	310
EXFU-9•	3 1/2"	1	5	340
EXFU-10•	4"	1	1	374

• Made-to-order items. Consult factory for lead time and minimum quantities.

#### EXMU Male-to-Female Unions



CAT. NO.	HUB SIZE	UNIT QTY.	STD. PKG.	WT. LBS. PER 100
EXMU-1	1/2"	5	25	24
EXMU-2	3/4"	5	25	35
EXMU-3	1"	5	25	45

## Hazardous Location Fittings

### EYD Drain Seals

Cl. I, Div. 1 & 2, Groups A, B, C, D

Cl. II, Div. 1, Groups E, F, G

Cl. III, Div. 1 & 2

#### Application

##### EYD drain and inspection sealing fittings:

- Restrict the passage of gases, vapors or flames from one portion of the electrical installation to another at atmospheric pressure and normal ambient temperatures
- Limit explosions to the sealed-off enclosure
- Prevent precompression or “pressure piling” in conduit systems. Drain sealing fittings are installed in vertical conduit runs and at low points in conduit systems to prevent accumulation of condensate above seal

#### Features

##### EYD drain sealing fittings include:

- Drain to provide continuous, automatic drainage of condensate
- Large openings with threaded closures to provide easy access to conduit hubs for making dams
- Integral bushings to protect conductor insulation from damage
- Tapered-tapped hubs to ensure ground continuity

#### Standard Materials

Bodies and drain covers — Gray iron alloy and/or ductile iron

Closure for drain — copper-free aluminum or ductile iron

Small closure plug — Gray iron alloy and/or steel

Drain — stainless steel

Removable nipples — steel

#### Standard Finish

Gray iron alloy and ductile iron — electrogalvanized and aluminum acrylic paint

Copper-free aluminum — natural

Stainless steel — natural

Steel — electrogalvanized

#### Options

Copper-free aluminum bodies, nipples and enclosures — see listings



#### Size Ranges

EYD — ½"–4"

#### Listings/Compliances

EYD11 — 31-TB

Class I, Division 1 & 2, Groups A, B, C, D; Class II, Division 1, Groups E, F, G; Class III

EYD41 — 101-TB

Class I, Division 1 & 2, Groups C, D; Class II, Division 1, Groups E, F, G  
Class II, Division 2, Groups F, G

Class III

UL Standard: 886

CSA Standard: C22.2

NEMA 3, 4, 7 CD, 9 EFG

Explosion-Proof

Dust-Ignition-Proof

Raintight

Wet Locations

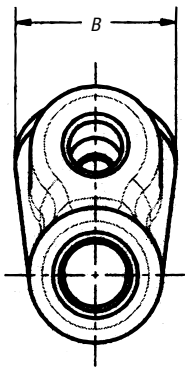
#### Sealing Compound and Fibers

Seal A3 (1-lb. can of sealing compound)

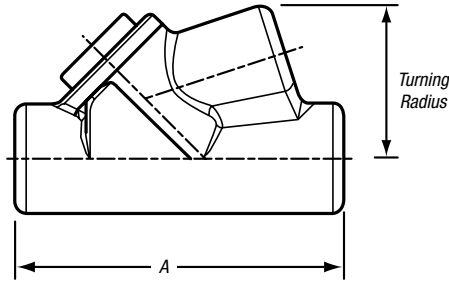
Fiber X6 (8-oz. fiber packing)

Seal Kit (1-lb. can of sealing compound and 1-oz. fiber packing)

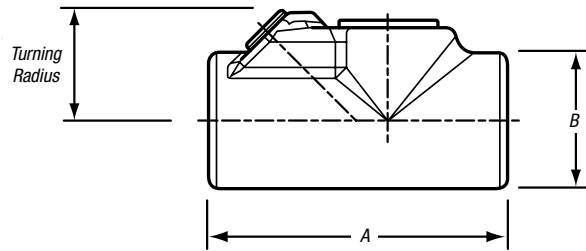
## Hazardous Location Fittings



EYD 1/2" - 1"



EYD 1/2" - 1"



EYD 1/4" - 4"



### EYD Drain Seals

CAT. NO.	HUB SIZE	DIMENSIONS (IN.)		TURNING RADIUS
		A	B	
EYD11-TB	1/2"	3.81	1.50	1.75
EYD21-TB	3/4"	4.08	1.75	1.98
EYD31-TB	1"	4.85	2.19	2.19
EYD41-TB	1 1/4"	5.00	2.25	1.80
EYD51-TB	1 1/2"	5.44	2.44	2.00
EYD61-TB	2"	6.25	3.00	2.32
EYD71-TB	2 1/2"	7.50	3.50	2.69
EYD81-TB	3"	8.50	4.25	3.15
EYD91-TB	3 1/2"	9.19	4.75	3.38
EYD101-TB	4"	9.75	5.25	3.64

## Drains/Breathers for Hazardous Locations

### Application

The Thomas & Betts Universal drain/breather fittings can be used as drains or breathers depending on the installation.

- To use as a drain, the product must be installed in the bottom of the enclosure or the lowest point where an NPT threaded opening exists. It can also be used in a seal fitting or a "T" conduit body. These must be in a lower section of the conduit system. This will enable moisture inside the conduit system to drain out
- To use as a breather, installation should be done at the top of an enclosure or in upper sections of conduit systems. This will permit air exchange and keep moisture accumulation inside the conduit system to a minimum. Thomas & Betts recommends the use of at least two devices (one drain and one breather) for maximum efficiency

CAT. NO.	HUB SIZE	DIMENSIONS (IN.)
		B
ECD15	1/2"	.975
ECD384	3/8"	.407
ECD284	1/4"	.327



## Hazardous Location Fittings

### EYS Sealing Fittings

#### Application

EYS sealing fittings can be installed in either vertical or horizontal applications.

- Seals sections of conduit runs from passage of vapors, flame, or gases
- Seals off sections of conduit system during explosion
- Limits precompression or pressure piling in conduit system

#### Features

- All hubs have a minimum of five full threads, integral bushings to protect conductor insulation from damage and large access openings for easier packing of sealing medium
- Seals are approved to be used with Crouse-Hinds® Sealing Compound and Fiber

#### Size Range

½" NPT to 4" NPT

#### Materials

Bodies: Ductile Iron  
Plugs: Gray Iron  
Nipples: Steel, supplied with EYS fittings

#### Finish

Bodies: Zinc-plated with aluminum acrylic paint  
Plugs: Zinc-plated with aluminum acrylic paint  
Nipples: Zinc-plated

#### Sealing Compound and Fibers

Seal A3 (1-lb. can of sealing compound)

Fiber X6 (8-oz. fiber packing)

Sealkit (1-lb. can of sealing compound and 1-oz. fiber packing)

#### Listings/Compliances

UL886

CSA: C22.2 No. 30

EYS seals are approved to be used with Crouse-Hinds® Chico® A compound and Chico® X fiber

EYS1-3TB:

Cl. I, Div. 1 & 2, Groups A, B, C, D

EYS4-5TB:

Cl. I, Div. 1 & 2, Groups C, D

EYS11-31TB:

Cl. I, Div. 1 & 2, Groups A, B, C, D

Cl. II, Div. 1, Groups E, F, G  
Cl. III

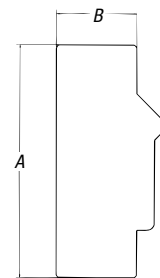
EYS41-101TB:

Cl. I, Div. 1 & 2, Groups C, D

Cl. II, Div. 1, Groups E, F, G  
Cl. III

Explosion-Proof

Dust-Ignition-Proof

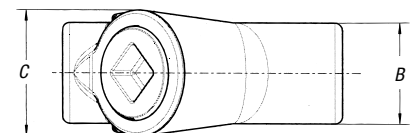
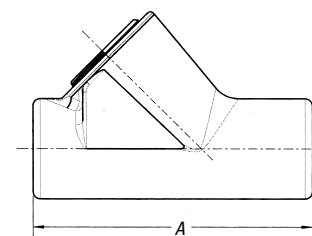


EYS11-TB – EYS101-TB



CAT. NO.	HUB SIZE	DIMENSIONS (IN.)			TURNING RADIUS
		A	B	C	
<b>Vertical Only</b>					
EYS1-TB	½"	3.31	1.25	1.50	1.66"
EYS2-TB	¾"	3.65	1.50	1.75	1.96"
EYS3-TB	1"	4.25	1.75	2.19	2.40"
EYS4-TB	1¼"	5.00	2.25	2.45	3.11"
EYS5-TB	1½"	5.69	2.45	3.00	3.62"
<b>Horizontal/Vertical</b>					
EYS11-TB	½"	3⅞	1¼	—	1⅝"
EYS21-TB	¾"	3⅝	1½	—	1¼"
EYS31-TB	1"	4¼	1¾	—	1⅝"
EYS41-TB	1¼"	5	2¼	—	1⅞"
EYS51-TB	1½"	5⅞	2⅞	—	2"
EYS61-TB	2"	6¼	3	—	2⅞"
EYS71-TB	2½"	7½	3½	—	2⅞"
EYS81-TB	3"	8½	4¼	—	3⅝"
EYS91-TB	3½"	9⅞	4¾	—	3⅞"
EYS101-TB	4"	9¾	5¼	—	3⅞"

Crouse-Hinds® and Chico® are trademarks of Cooper Industries, Inc.



EYS1-TB – EYS5-TB

## Hazardous Location Fittings

### EYVF and EVHF Sealing Fittings

#### Application

- Limits flames and/or explosions to area within electrical system where they originate
- Limits pressure piling
- Required by NEC® for conduit systems in hazardous locations 18" from an enclosure housing a heat producing or arcing device; on 2" and larger system that enters an enclosure containing splices; wherever conduit leaves a Class I, Division I area and enters a non-hazardous area

#### Features

- Copper-free\* aluminum provides increased corrosion resistance
- Precision cast and machined surfaces permit safer wire pulling
- Precision NPT threaded hubs enable trouble-free field installation for rigid or IMC conduit
- Large opening provides maximum working room for creating dam and seal pouring to speed up installation
- Compact design permits close construction of parallel conduit runs

#### Standard Materials

Sealing Fittings: Die-cast aluminum alloy A360 with less than .004 copper content (copper-free)  
 Sealing Cement  
 Fiber: Flame-retardant Kaowool Type A fiber

#### Standard Finish

Aluminum lacquer finish

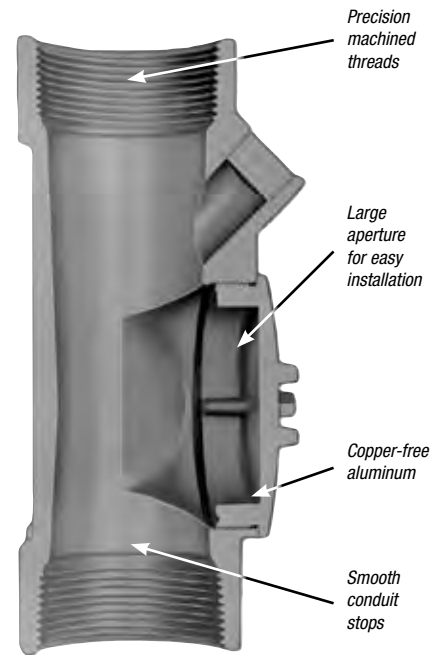
#### Listings/Compliances

UL Listed  
 CSA Certified  
 Suitable for hazardous locations  
 Federal Spec W-C-586  
 Cl. I, Div. 1 & 2, Groups C, D  
 Cl. II, Div. 1, Groups E, F, G  
 Cl. III, Div. 1 & 2  
 NEMA 3, 4, 7 CD, 9 EFG  
 Explosion-Proof  
 Dust-Ignition-Proof  
 Raintight  
 Wet Locations

#### Sample Specifications

Sealing fittings for hazardous locations shall be die-cast copper-free\* aluminum alloy A360. Suitable for use in hazardous locations: Class I, Groups C, D; Class II, Groups E, F, G and Class III. All conduit stops shall be coined and free of rough edges. Sealing fittings for hazardous locations shall be finished with aluminum lacquer. Sealing fittings shall be Thomas & Betts Catalog No. \_\_\_\_\_

\*Less than .004% copper content.



Conduit & Fittings — T&B® Rigid Fittings



EYVF



EVHF-1 through -3



EVHF-4 through -9

#### Vertical Sealing Fittings



CAT. NO.	HUB SIZE	UNIT QTY.	STD. PKG.	WT. LBS. PER 100
EYVF-1 <sup>†</sup>	½"	5	25	50
EYVF-2 <sup>†</sup>	¾"	5	25	54
EYVF-3 <sup>†</sup>	1"	5	25	100
EYVF-11	½"	10	50	35
EYVF-22	¾"	10	50	40
EYVF-33	1"	4	20	60

#### Vertical/Horizontal Sealing Fittings



CAT. NO.	HUB SIZE	UNIT QTY.	STD. PKG.	WT. LBS. PER 100
EVHF-1	½"	10	50	41
EVHF-2	¾"	5	25	50
EVHF-3	1"	5	25	60
EVHF-4	1¼"	4	20	70
EVHF-5	1½"	1	5	60
EVHF-6	2"	1	1	125
EVHF-7 •	2½"	1	1	150
EVHF-9 •	3½"	1	1	300

• Made-to-order items. Consult factory for lead time and minimum quantities.

<sup>†</sup> Packaged with an adequate amount of sealing compound and plugs installed.

## Hazardous Location Fittings

### Preparation of Sealing Fittings

#### Applications

T&B Red•Dot® sealing cement is used for making seals in sealing fittings. The insulation in the conductors sealed in the cement may be approved thermoplastic or rubber, with or without lead covering. The sealing cement should not be used for insulating.

#### Characteristics

T&B Red•Dot® sealing cement is not affected by gasoline, alcohol, acetone, ether, naphtha, petroleum, benzol or lacquer solvent.

#### Preparation

- (1) Use a clean mixing vessel for each batch.
- (2) Thoroughly mix powder before adding water.
- (3) Do not use if temperature is below 40° F.
- (4) Mix one part water to two parts cement.
- (5) Allow cement to set for 72 hours before use.

#### Standard Dams

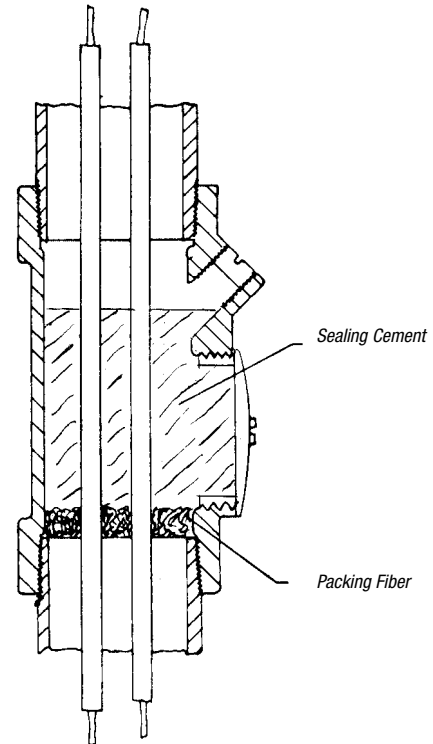
- (1) Push the conductors away from the filling opening and force them apart so that they do not touch each other or the walls of the fitting or conduit along their length. If the conductors do touch, the sealing cement will not form a closed path between them.
- (2) Force the packing fiber between each conductor and the inside walls. Be sure that the dam is strong enough and tight enough to prevent the considerable weight of the fluid sealing cement from seeping out.

#### Pouring

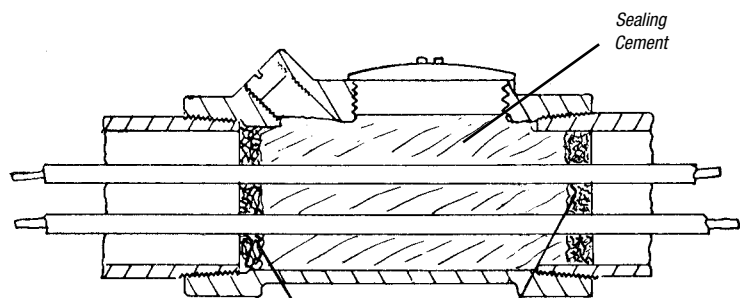
- (1) Pour the mixed cement into the fitting slowly so as not to trap air in the seal.
- (2) Replace the close-up plugs to ensure that they engage not less than five full threads.

Cl. I, Div. 1 & 2, Groups C, D  
Cl. II, Div. 1, Groups E, F, G  
Cl. III, Div. 1 & 2  
NEMA 3, 4, 7 CD, 9 EFG

Explosion-Proof  
Dust-Ignition-Proof  
Raintight  
Wet Locations



Vertical Installation  
for EYVF or EVHF Fittings



Packing Fiber  
Horizontal EVF Installation



## Hazardous Location Fittings

### Sealing Cement and Fiber for T&B® Sealing Fittings

Cl. I, Div. 1 & 2, Groups C, D  
Cl. II, Div. 1, Groups E, F, G  
Cl. III, Div. 1 & 2

Explosion-Proof  
Dust-Ignition-Proof  
Raintight  
Wet Locations

- Can be used on T&B EYV, EVH series fittings only

#### Sealing Cement

CAT. NO.	QUANTITY	VOLUME CUBIC INCHES	STD. PKG.	WT. LBS PER 100
EXSC-2	3.2 oz.	2.75	25	20
EXSC-8	13 oz.	11.50	15	81
EXSC-16	1 lb., 10 oz.	23.00	10	163

#### Packing Fiber

CAT. NO.	QUANTITY	STD. PKG.	WT. LBS PER 100
EXPF-16	1 lb.	1	112

#### Approximate Amount of Cement and Fiber Required per Hub

CAT. NO.	HUB SIZE	CEMENT QUANTITY	FIBER QUANTITY
EYVF-11	½"	2 oz.	½ oz.
EYVF-22	¾"	3 oz.	⅙ oz.
EYVF-33	1"	4 oz.	⅙ oz.
EVHF-1	½"	2 oz.	⅓ oz.
EVHF-2	¾"	2 oz.	⅓ oz.
EVHF-3	1"	4 oz.	¼ oz.
EVHF-4	1¼"	4 oz.	¼ oz.
EVHF-5	1½"	6 oz.	½ oz.
EVHF-6	2"	12 oz.	1 oz.
EVHF-7	2½"	15 oz.	1½ oz.
EVHF-8	3"	40 oz.	2 oz.
EVHF-9	3½"	45 oz.	3 oz.
EVHF-10	4"	50 oz.	4 oz.



EXSC



EXPF

## Hazardous Location Fittings

Make flexible connections in hazardous locations!

### XP Flex Explosion-Proof Flexible Couplings

With their flexible design, T&B® XP Flex Couplings make it easy to achieve tight bends in conduit systems in confined spaces — or to connect stationary equipment to equipment that moves or vibrates. Their explosion-proof and corrosion-resistant construction mean you can use them with confidence in hazardous and wet locations.

#### Application

- Achieve tight bends in conduit systems in confined spaces
- Connect stationary equipment to equipment that moves or vibrates

#### Features

- Corrosion resistant — ideal for washdown areas
- Flexible bronze construction with arc-resistant inner sleeve and brass fittings
- Terminated with two threaded female end fittings and male close nipples
- No bonding jumper required

#### Standard Materials

Flexible bronze construction with arc-resistant inner sleeve

Brass fittings

#### Listings/Compliances

UL Listed

CSA Certified

Suitable for hazardous locations

½" and ¾" Hub Sizes:

Class I, Div. 1 & 2, Groups A, B, C, D Class II,

Div. 1, Groups E, F, G

Class III

1" Hub Size:

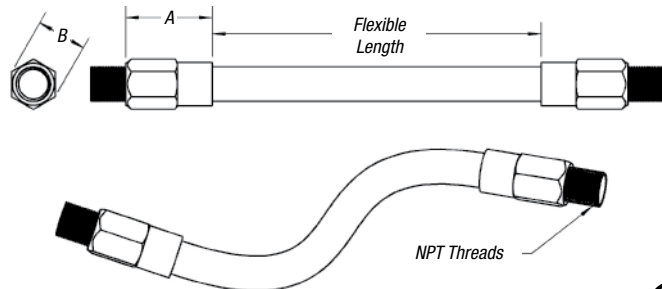
Class I, Div. 1 & 2, Groups C, D

Class II, Div. 1, Groups E, F, G

Class III

Wet Locations

UL886



CAT. NO.	HUB SIZE	FLEXIBLE LENGTH (IN.)	DIMENSIONS (IN.)	
			A	B
XPLFL16	½"	6	1.54	1.44
XPLFL18	½"	8	1.54	1.44
XPLFL110	½"	10	1.54	1.44
XPLFL112	½"	12	1.54	1.44
XPLFL115	½"	15	1.54	1.44
XPLFL118	½"	18	1.54	1.44
XPLFL124	½"	24	1.54	1.44
XPLFL212	¾"	12	1.60	1.87
XPLFL215	¾"	15	1.60	1.87
XPLFL218	¾"	18	1.60	1.87
XPLFL224	¾"	24	1.60	1.87
XPLFL236	¾"	36	1.60	1.87
XPLFL318	1"	18	2.00	2.31

## Technical Information

### UL Recommended Dimensions and Weights of Rigid Metal Conduit

TRADE SIZE (IN.)	THDS. PER IN.	I.D. (IN.)	O.D. (IN.)	WALL THICKNESS (IN.)	A MIN. WT. AT 100' LENGTHS WITH ONE COUPLING ATTACHED (LBS.)
¼	18	.364	.540	.088	38.5
⅜	18	.493	.675	.091	51.5
½	14	.622	.840	.109	79.0
¾	14	.824	1.050	.113	105.0
1	11½	1.049	1.315	.133	153.0
1¼	11½	1.380	1.660	.140	201.0
1½	11½	1.610	1.900	.145	249.0
2	11½	2.067	2.375	.154	332.0
2½	8	2.469	2.875	.203	527.0
3	8	3.068	3.500	.216	682.6
3½	8	3.548	4.000	.226	831.0
4	8	4.026	4.500	.237	972.3
4½	8	4.506	5.000	.247	1,150.0
5	8	5.047	5.563	.258	1,313.6
6	8	6.065	6.625	.280	1,745.3

### UL Dimensions for Intermediate Metallic Conduit† — Type I (10-ft. lengths)

TRADE SIZE (IN.)	O.D. (IN.)		WALL THICKNESS (IN.)
	MIN.	MAX.	
½	.810	.820	.070*
¾	1.024	1.034	.075*
1	1.285	1.295	.085*
1¼	1.630	1.645	.085*
1½	1.875	1.890	.090*
2	2.352	2.367	.095*
2½	2.847	2.867	.130**
3	3.466	3.486	.130**
3½	3.961	3.981	.130**
4	4.456	4.476	.130**

\* (+.015, -.000)

\*\* (+.020, -.000)

† IMC Threads are the same as Rigid Metal Conduit Threads.

### UL Dimensions for Intermediate Metallic Conduit — Type II (10-ft. lengths)

TRADE SIZE (IN.)	O.D. (IN.)		WALL THICKNESS (IN.)
	MIN.	MAX.	
½	.825	.840	.085*
¾	1.035	1.050	.085*
1	1.300	1.315	.108*
1¼	1.645	1.660	.108*
1½	1.885	1.900	.108*
2	2.360	2.375	.108*
2½	2.850	2.875	.155**
3	3.475	3.500	.155**
3½	3.975	4.000	.160**
4	4.475	4.500	.160**

\* (+.020, -.000)

\*\* (+.025, -.000)

### UL Recommended Dimensions and Weight of Electrical Metallic Tubing (EMT)

TRADE SIZE (IN.)	O.D. (IN.)	I.D.* (IN.)	WALL THICKNESS (IN.)	MIN. ACCEPT WT. FT. (LBS.)
¾	.577 ± .005	.493	.042	.230
½	.706 ± .005	.622	.042	.285
¾	.922 ± .005	.824	.049	.435
1	1.163 ± .005	1.049	.057	.640
1¼	1.510 ± .005	1.380	.065	.950
1½	1.740 ± .005	1.610	.065	1.100
2	2.197 ± .005	2.067	.065	1.400
2½	2.875 ± .010	2.731	.072	2.050
3	3.500 ± .015	3.356	.072	2.500
3½	4.000 ± .020	3.834	.083	3.250
4	4.500 ± .020	4.334	.083	3.700

\* Not a requirement — included for information only.

## Technical Information

### Knockout (Sliphole) Sizes for Electrical Conduits and Connectors

TRADE SIZE (IN.)	KNOCKOUT DIAMETER		
	NOM.	MIN.	MAX.
¼	.575	.559	.605
⅜	.718	.703	.734
½	.875	.859	.906
¾	1.109	1.094	1.141
1	1.375	1.359	1.406
1¼	1.734	1.719	1.766
1½	1.984	1.958	2.000
2	2.469	2.433	2.500
2½	2.969	2.938	3.000
3	3.594	3.563	3.625
3½	4.125	4.063	4.156
4	4.641	4.563	4.672
4½	5.109	5.063	5.166
5	5.719	5.625	5.750
6	6.813	6.700	6.844

Sizes ¼" thru 1¼" are per UL 514.

Sizes ½" thru 6" per proposed revision to NEMA Engineering Bulletin No. 71, Aug. 1976.

### UL Recommended Diameters for Liquidtight Flexible Metal Conduit

TRADE SIZE (IN.)	I.D. (IN.)		O.D. (IN.)	
	MIN.	MAX.	MIN.	MAX.
⅜	.484	.504	.690	.710
½	.622	.642	.820	.840
¾	.820	.840	1.030	1.050
1	1.041	1.066	1.290	1.315
1¼	1.380	1.410	1.630	1.660
1½	1.575	1.600	1.865	1.900
2	2.020	2.045	2.340	2.375
2½	2.480	2.505	2.840	2.875
3	3.070	3.100	3.460	3.500
3½	3.500	3.540	3.960	4.000
4	4.000	4.040	4.460	4.500

### UL Recommended Diameters for Flexible Metal Conduit (Greenfield)

TRADE SIZE (IN.)	MAX. O.D. (IN.)	O.D. (IN.)	
		MIN.	MAX.
⅜	.510	.312	.393
⅝	.610	.375	.645
½	.920	.625	.835
¾	1.105	.812	—
1	1.380	1.000	—
1¼	1.630	1.250	—
1½	1.950	1.500	—
2	2.450	2.000	—
2½	3.060	3.500	—
3	3.560	3.000	—
3½	4.060	3.500	—
4	4.560	4.000	—

### Diameter of Liquidtight Non-Metallic Flexible Conduit

TRADE SIZE (IN.)	I.D. (IN.)		O.D. (IN.)	
	MIN.	MAX.	MIN.	MAX.
⅜	.485	.505	.755	.775
½	.620	.640	.910	.930
¾	.815	.835	1.150	1.170
1	1.030	1.055	1.415	1.440
1¼	1.370	1.395	1.800	1.825
1½	1.585	1.620	2.045	2.080
2	2.045	2.080	2.605	2.640