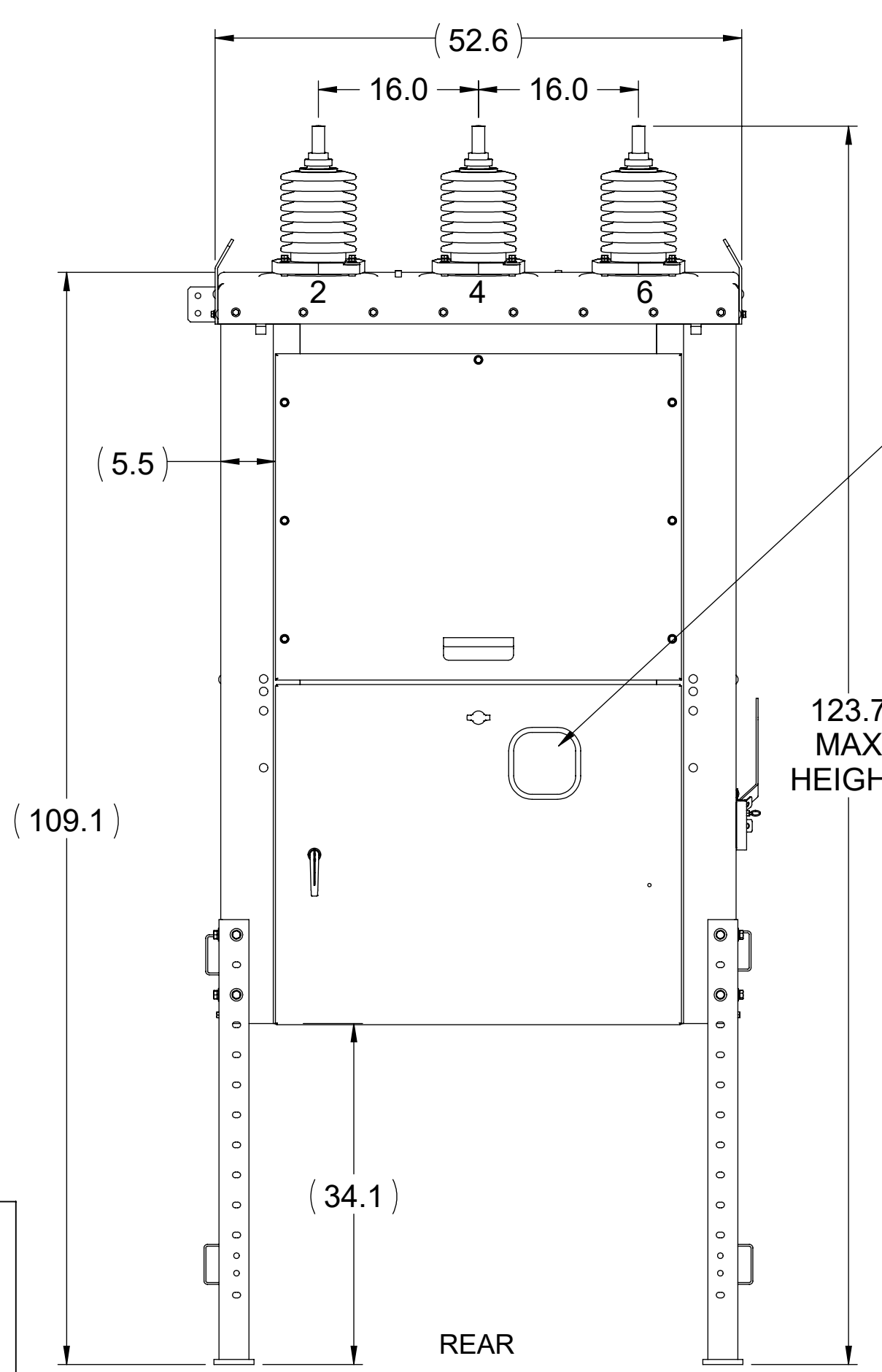
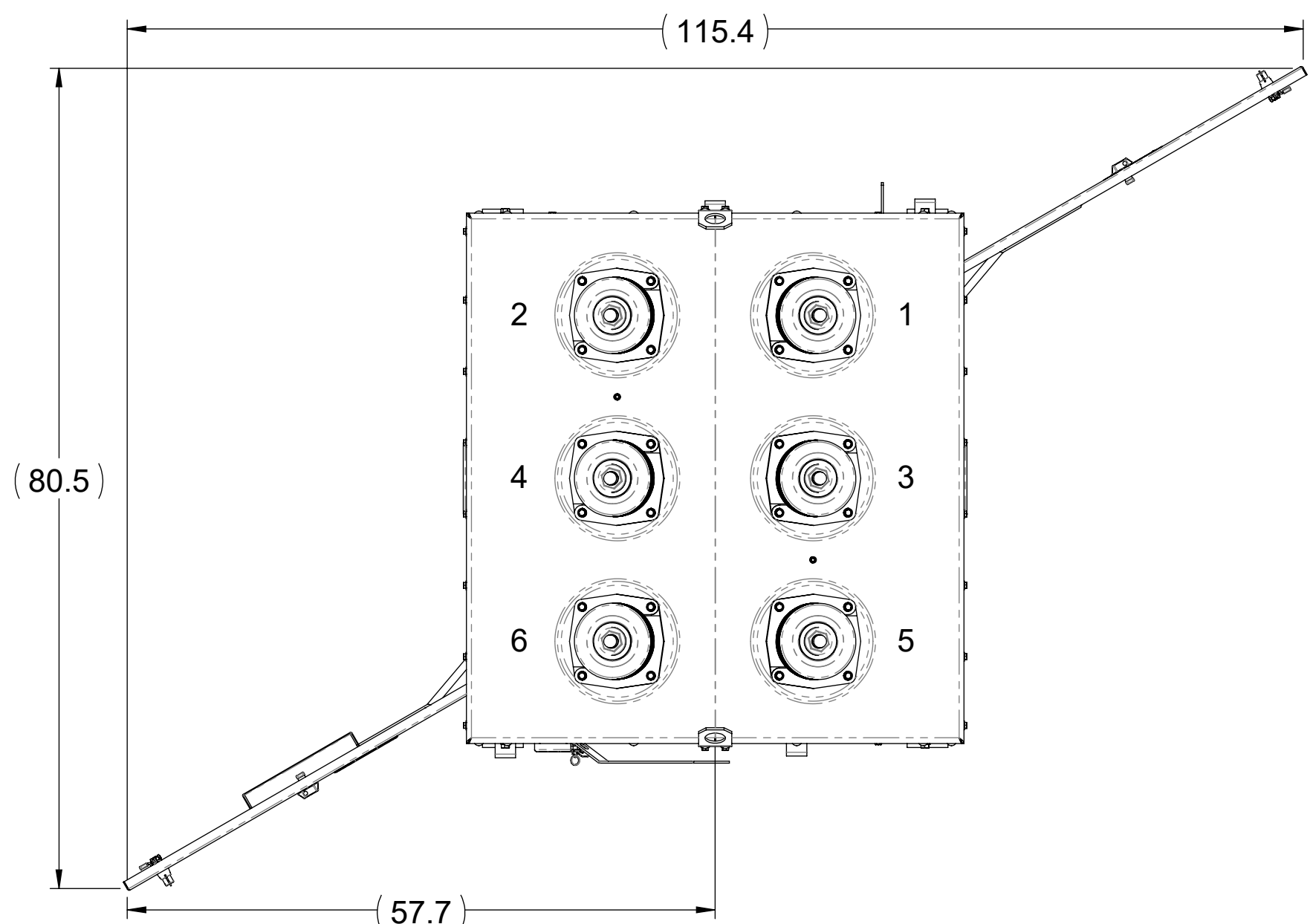


NOTES:

1. ESTIMATED MASS OF STANDARD DESIGN WITHOUT ELECTRICS, WIRING OR CIRCUIT TRANSFORMERS: 2400 LBS.



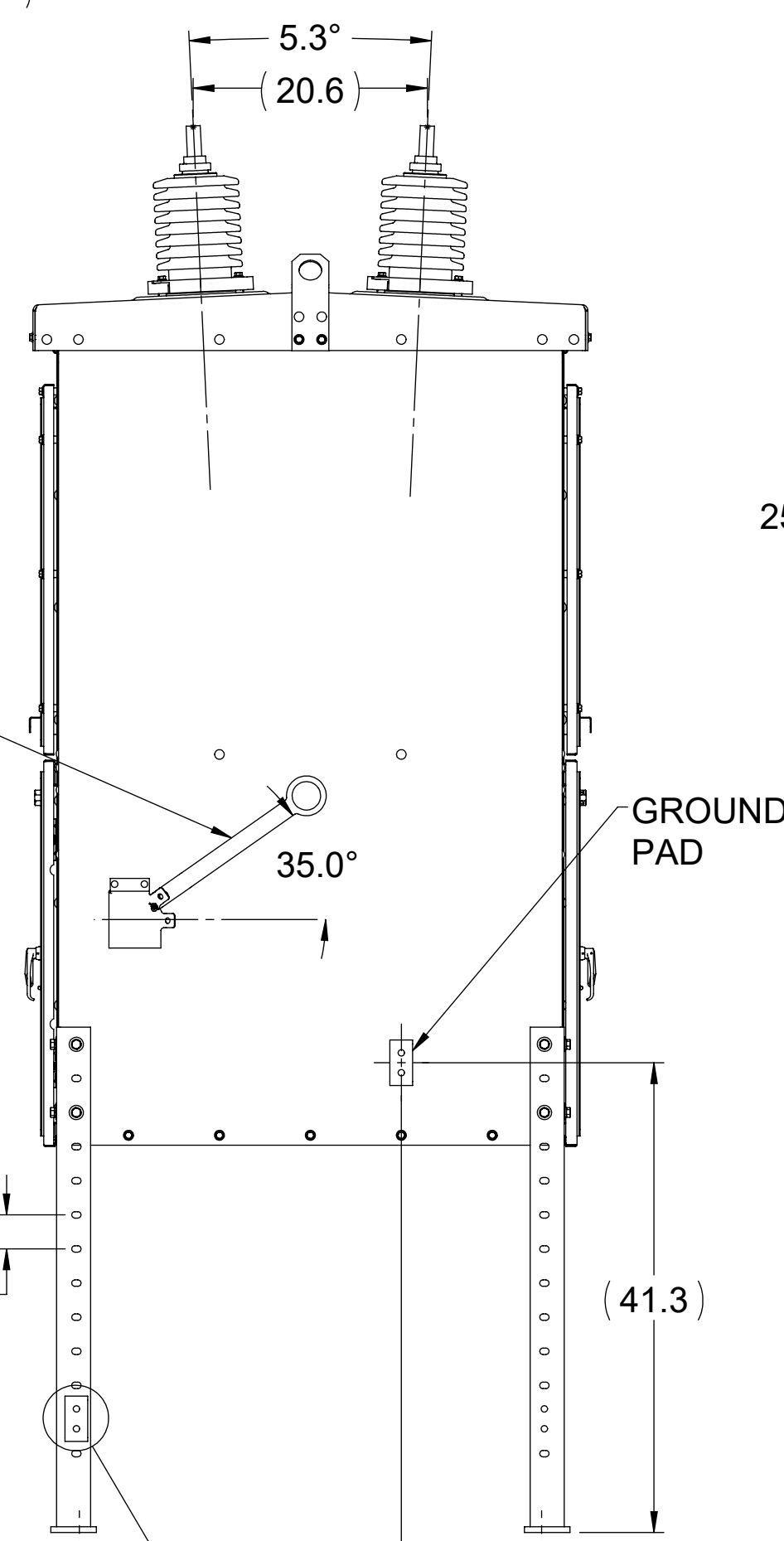
POSITION INDICATOR/ OPERATIONS COUNTER

123.7 MAX HEIGHT

MANUAL TRIP AND LOCKOUT HANDLE

INCREMENTS FOR HEIGHT ADJUSTMENT

REAR



GROUND PAD

3.0

INCREMENTS FOR HEIGHT ADJUSTMENT

(41.3)

FRONT

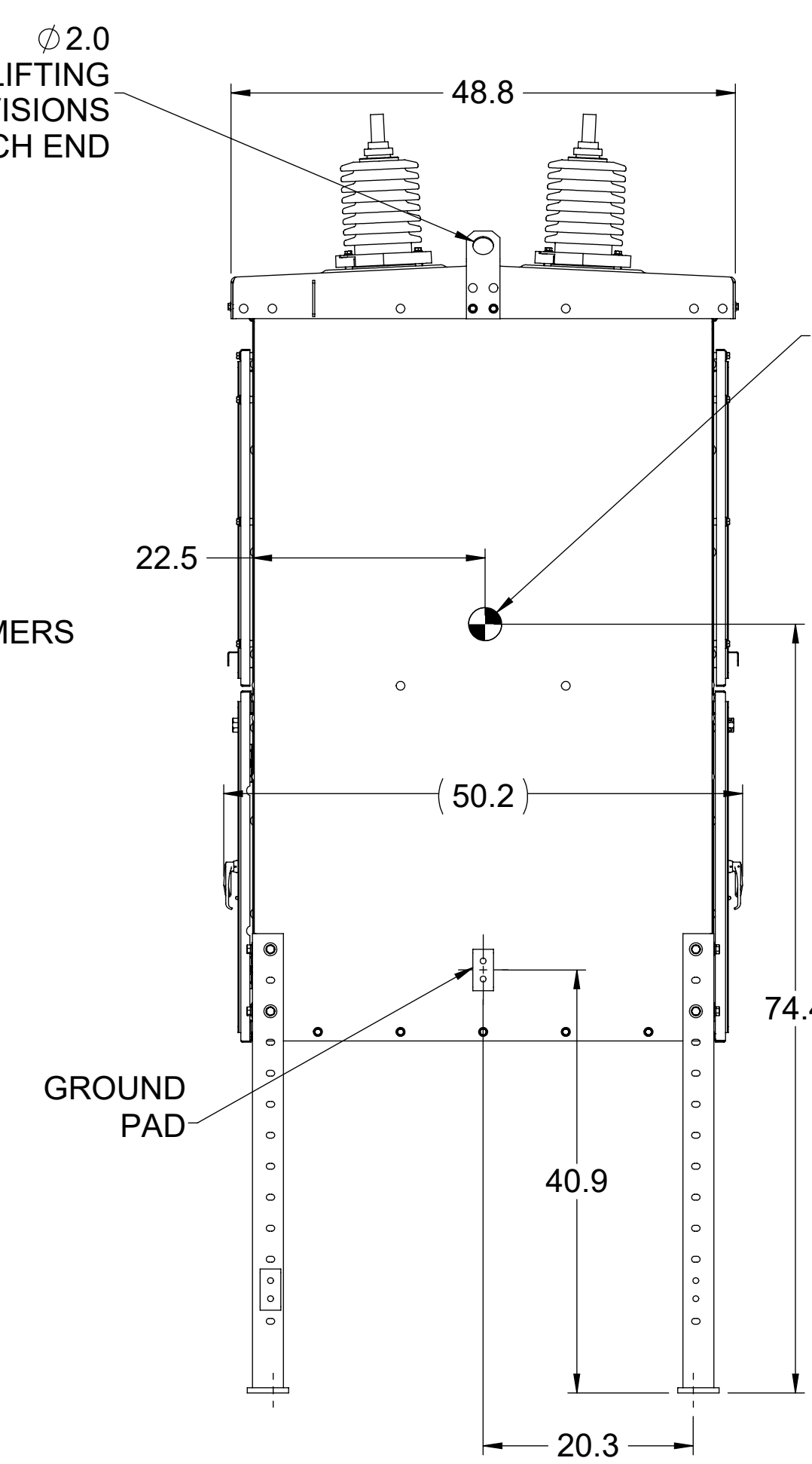
25.8

HIGH VOLTAGE COVER

CENTER OF MASS WITHOUT CIRCUIT TRANSFORMERS

CONTROL CABINET DOOR

OPTIONAL GROUND PADS



Ø 2.0 LIFTING PROVISIONS EACH END

CENTER OF MASS

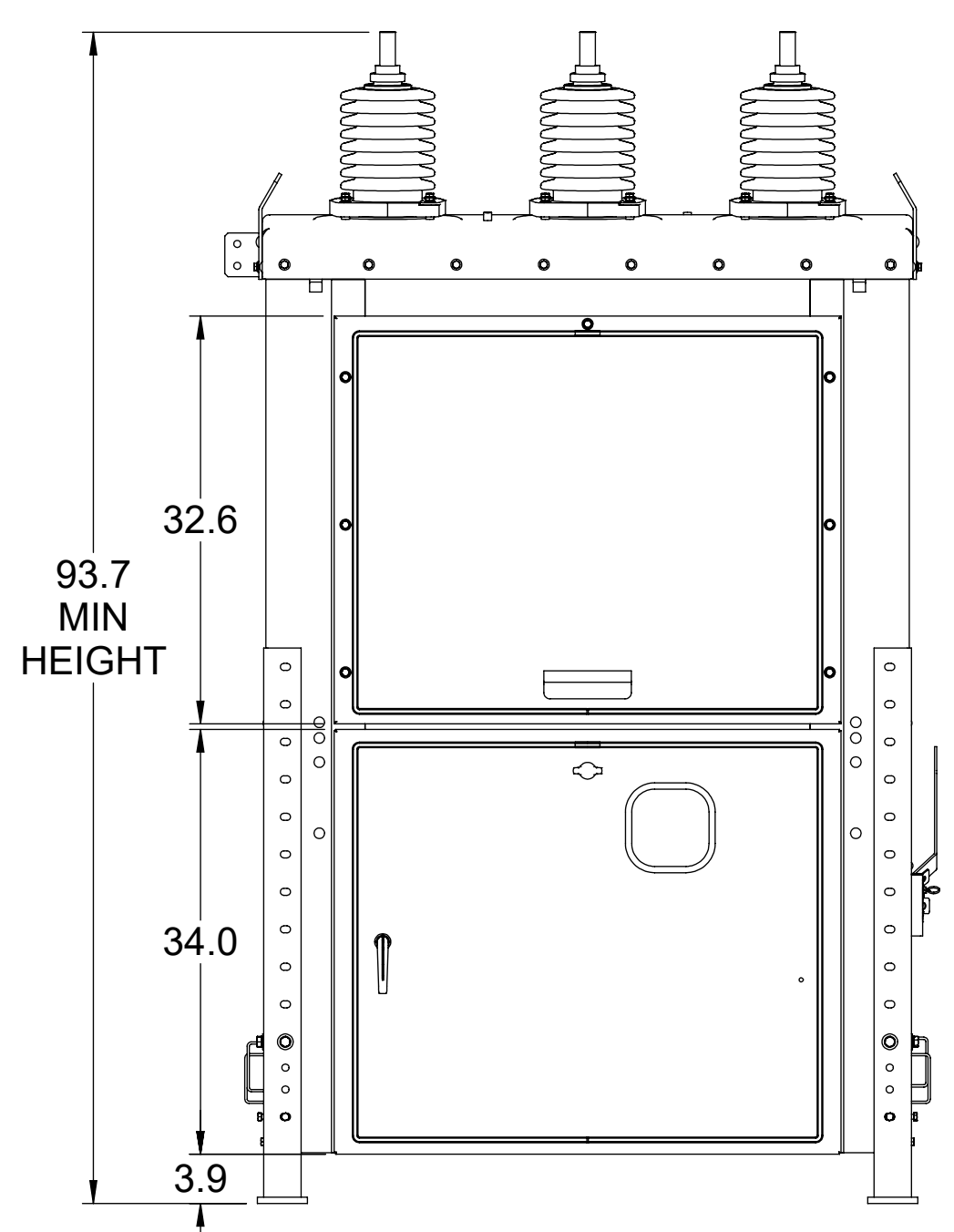
GROUND PAD

22.5

(50.2)

40.9

20.3

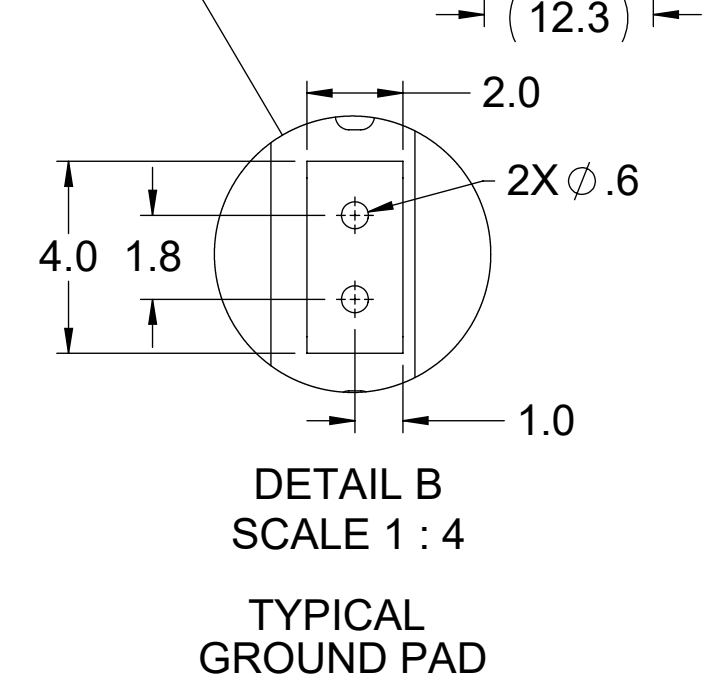
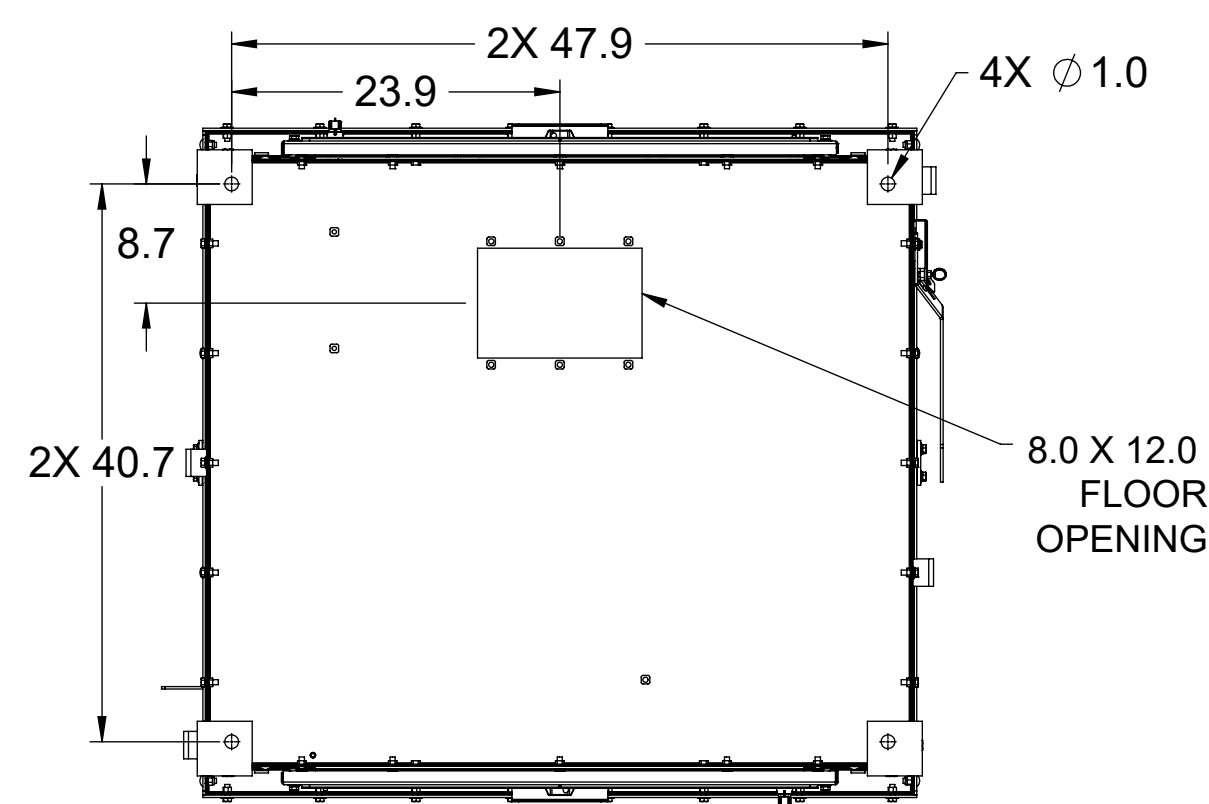


93.7 MIN HEIGHT

32.6

34.0

3.9



DETAIL B
SCALE 1 : 4
TYPICAL GROUND PAD

CONFIDENTIAL: Included in this document is the best confidential information known to ABB. Any unauthorized use, reproduction, distribution or disclosure to third parties is prohibited. © Copyright 2013 ABB. All rights reserved.

Zone		Rev.	Description	Revisions			Date
A		A	INITIAL RELEASE				2021-12-03
Material	Weight	Surface	Finish				
				Type	Derived from	Drawing status	Rel. for Production
Revision A	EC No.	Responsible MXSLP	Name	Title			Scale
	Location	Date	Name	GENERAL ASSEMBLY, 27KV			1:14
Drawn	MX-SLP	2021/12/13	P. Moron-Patino	1250A/2000A, NEMA 3R			Language EN
Checked	MX-SLP	2021/12/13	J. Avila	R-MAG			Format D
Approved	MX-SLP	2021/12/13	E. Martinez-Cruz				Sheet No. 1/1
ABB Switzerland Ltd. Group Technology Management				Drawing No. 2RNA001333A0011			