

14

13

12

11

D

D

C

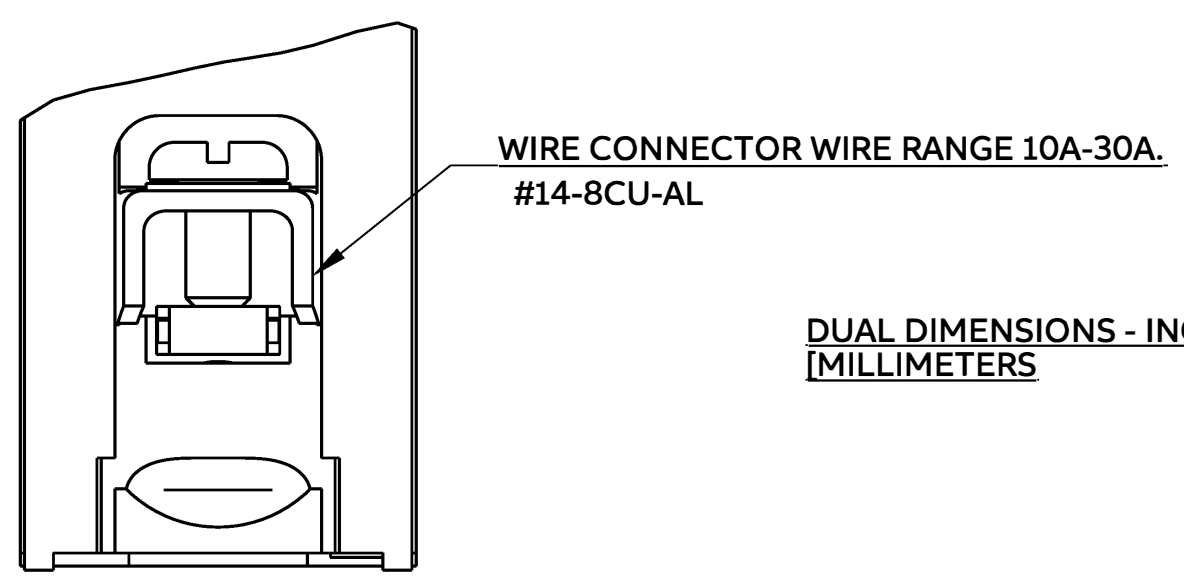
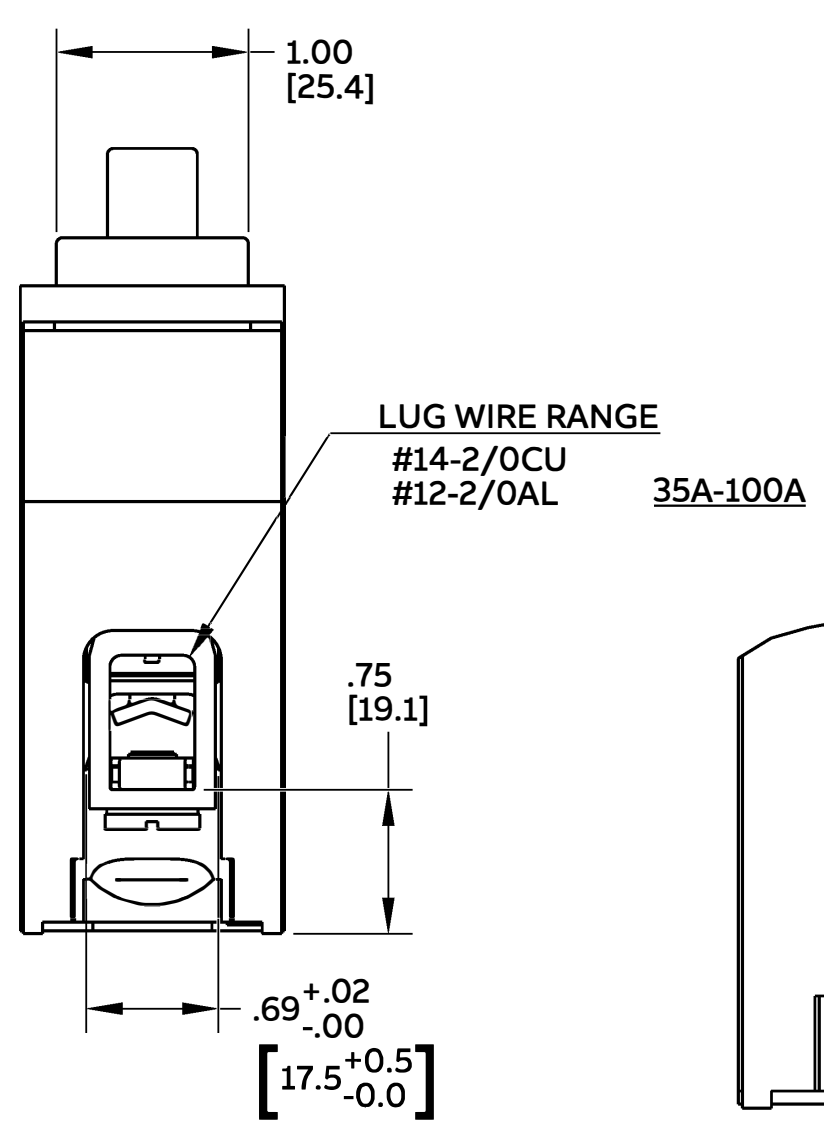
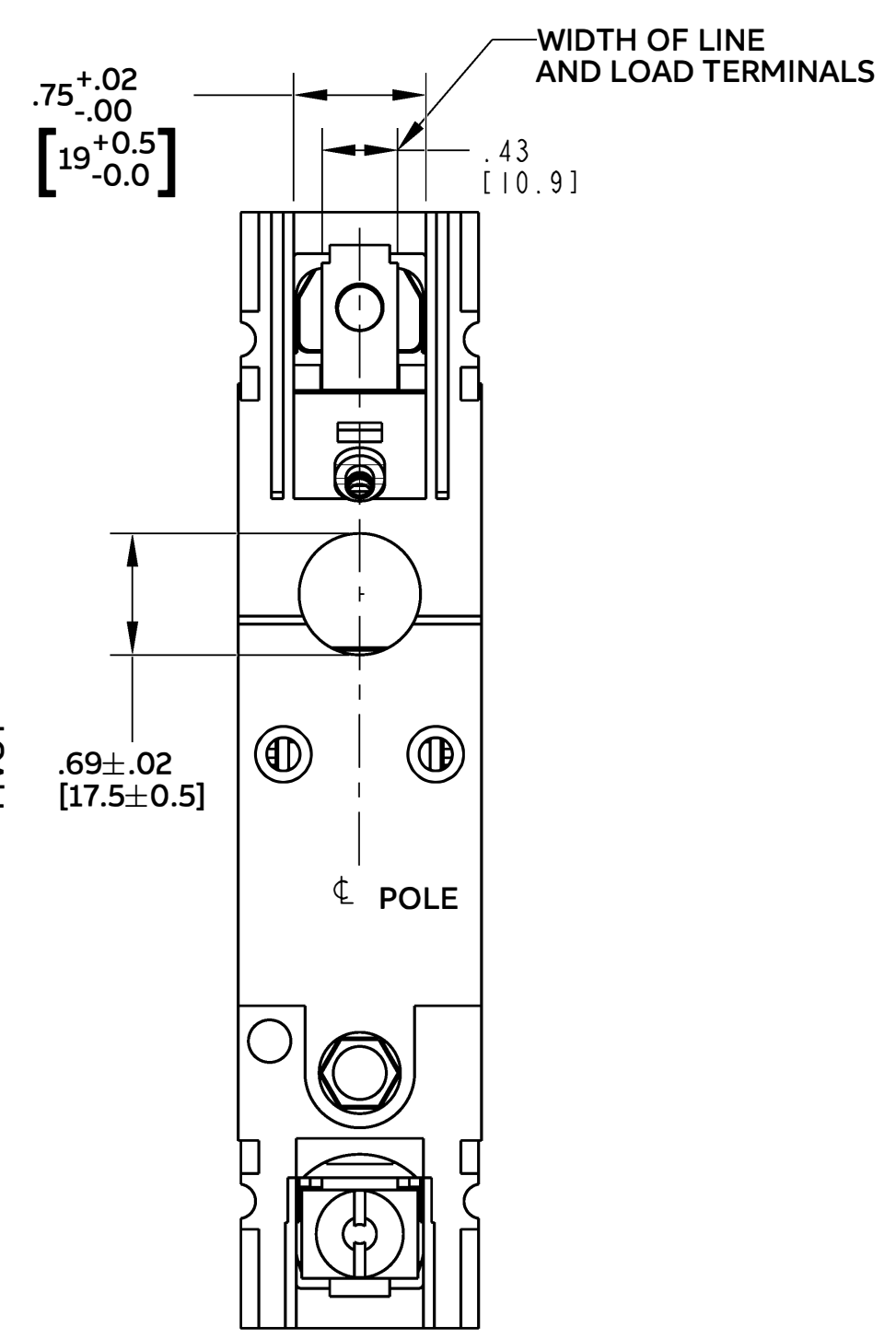
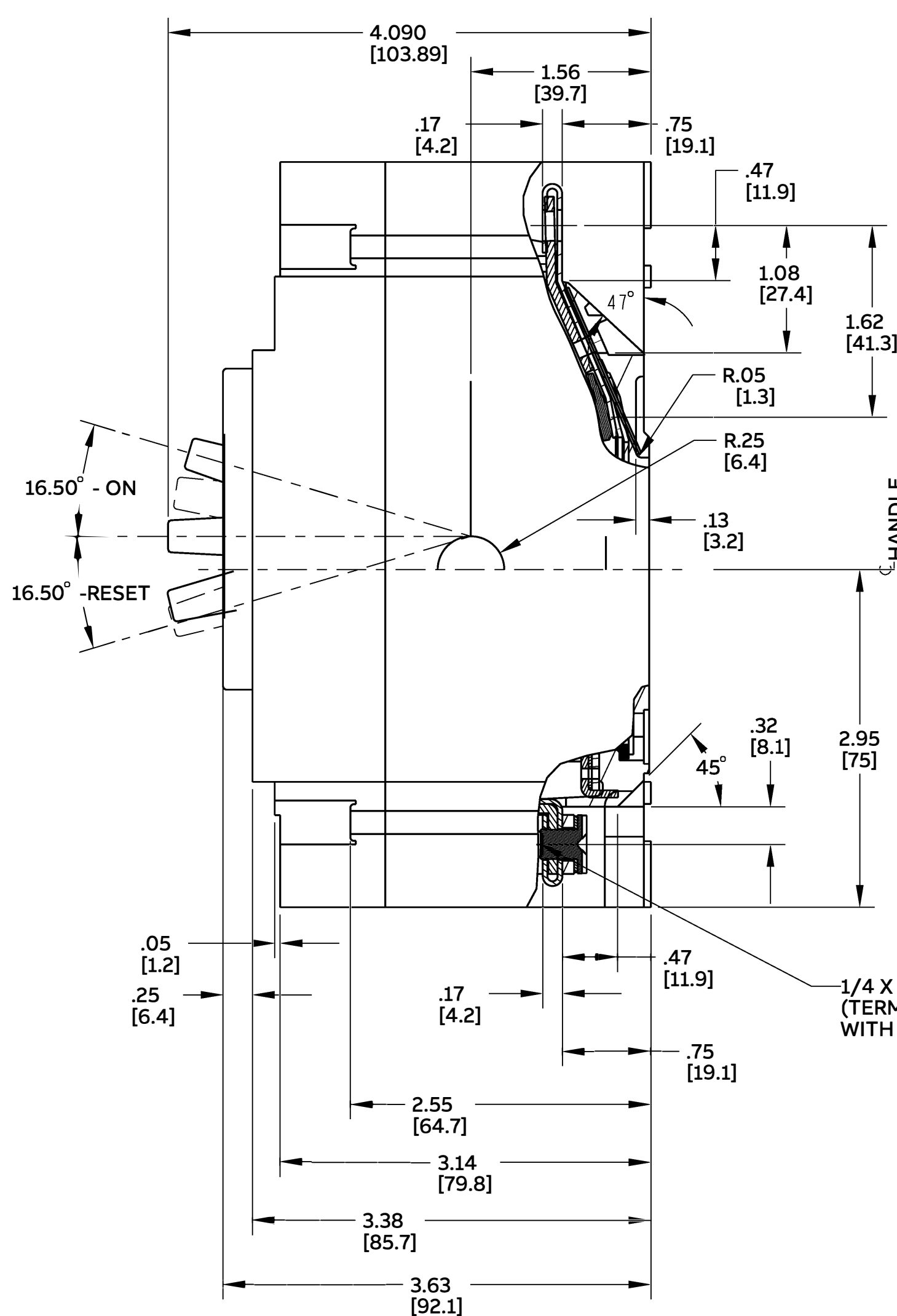
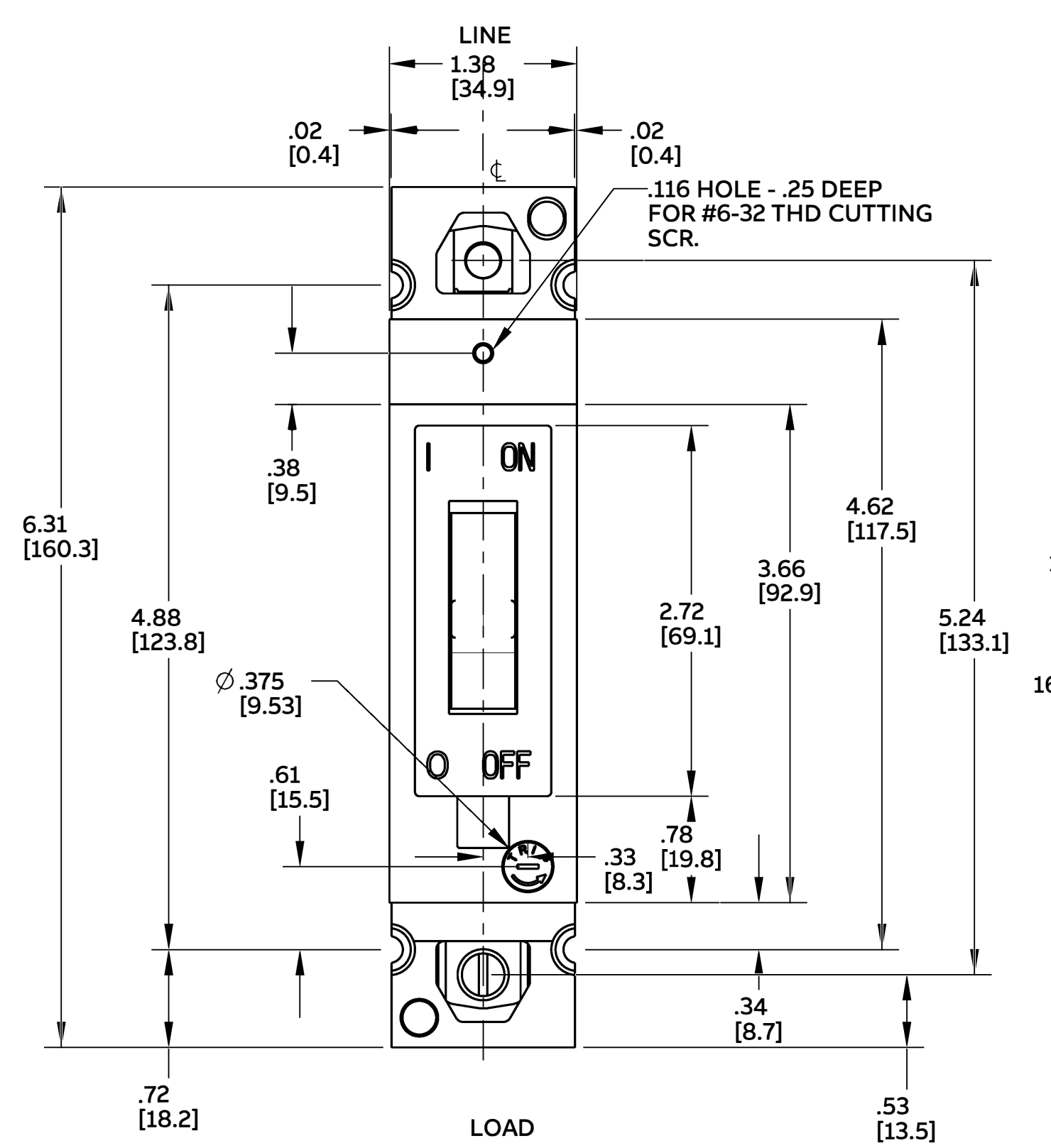
C

B

B

A

A



DUAL DIMENSIONS - INCHES [MILLIMETERS]

ABB				
OUTLINE DRAWING - CIRCUIT BREAKER TEB, TED & THED 1 POLE				
THIRD ANGLE	SHEET#	DWG NO.	DATE	REV
	1 of 1	139C3643SH4	01-May-23	B

14

13

12

11